



Features

- 12 models available: 5 with corner mirrors, 2 with return 45° mirrors for access guarding applications; 5 to house EZ-SCREEN Point and Grid Sensors
- Models meet ANSI/RIA 15.06 and ISO 13855 standards for beam spacing
- Robust aluminum housing with a tough safety yellow finish
- Independently adjustable mirrors to simplify alignment
- Circular bubble level on top of enclosure with three leveling screws in base
- Base allows enclosure to rotate up to 20°

Banner EZA-S Series Enclosures are designed specifically for use with Banner EZ-SCREEN Point and Grid models. The enclosures are constructed of a powder coated extruded aluminum housing with an anodized aluminum top plate and mounting base. The enclosures have leveling and rotational positioning capabilities. Units with mirrors have 3 adjusting screws per mirror to optimize beam direction. The enclosures are available in 12 different models to accommodate ANSI/RIA 15.06 and ISO 13855 beam spacing standards. The rear-surfaced glass mirrors are rated at 85% efficiency per mirror and reduce maximum range by 8% per mirror.



NOTE . . . Reduced Sensing Range

Sensing range is reduced to 85% efficiency per mirror.



WARNING . . . Maintain Required Separation Distance

The light screen produced by the optical safety system sensors must be placed at a minimum safe distance from the dangerous motion of the machine being guarded. This necessary minimum distance is called the separation distance, and is discussed in Section 3 of the appropriate manuals. Failure to calculate this distance correctly and to maintain minimum separation distance can result in serious injury.

Models

Models*	EZ-SCREEN Models	No. of Windows	Enclosure Height L1**	Protected Height	Distance from Floor to Bottom Window L2**	Distance Between Beams L3**	Application Standard
EZA-S300	SG(XL)P4-300	4	1543 mm (60.75")	900 mm (35.4")	300 mm (11.8")	300 mm (11.8")	ANSI/RIA R15.06 ISO 13855
EZA-S300-M							
EZA-S400	SG(XL)P3-300	3	1238 mm (48.75")	800 mm (31.5")	300 mm (11.8")	400 mm (15.8")	ANSI/RIA R15.06 ISO 13855
EZA-S400-M							
EZA-S500	SG(XL)P2-500	2	1035 mm (40.75")	500 mm (19.7")	400 mm (15.8")	500 mm (19.7")	ISO 13855
EZA-S500-M							
EZA-S500-M45	SP(XL)P1						
EZA-S533	SG(XL)P3-533	3	1543 mm (60.75")	1066 mm (42.0")	305 mm (12.0")	533 mm (21.0")	ANSI/RIA R15.06
EZA-S533-M							
EZA-S584	SG(XL)P2-584	2	1238.2 mm (48.75")	584 mm (23.0")	305 mm (12.0")	584 mm (23.0")	ANSI/RIA R15.06
EZA-S584-M							
EZA-S584-M45	SP(XL)P1						

*Model numbers with suffix "M" include vertical mirrors for perimeter-guarding applications.

Model numbers with suffix "M45" include two 45°-mounted mirrors for access-guarding applications.

**Refer to Figure 1.

EZA-S Series Enclosures

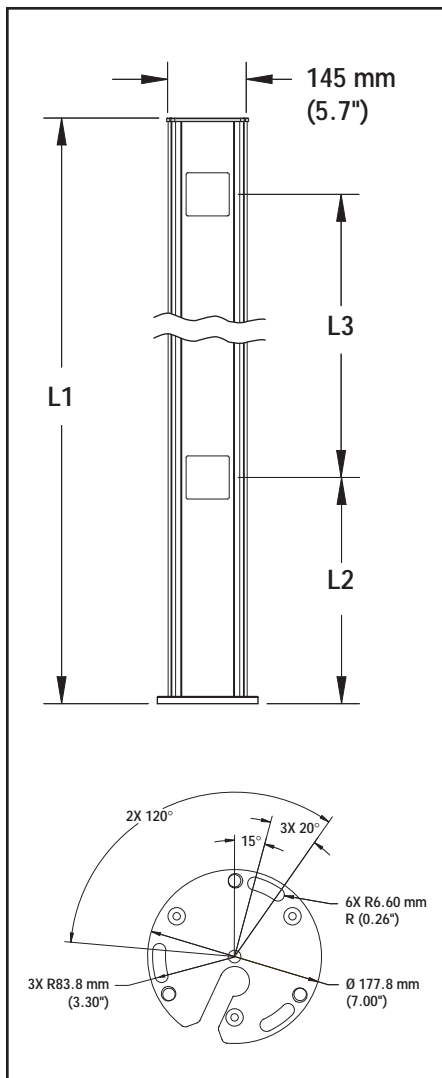


Figure 1. EZA-S Series enclosure dimensions

Installation

1. Remove front panel and top plate.
2. Position EZ-SCREEN with mounting brackets over spring nuts (supplied).
3. Fasten sensors with M6 lockwashers and screws in four places.
4. Adjust position of sensor so that the bottom light beam (dot on metal housing) is the proper height above the floor (see Figure 1 for proper distance).
5. Reinstall top plate and front panel.

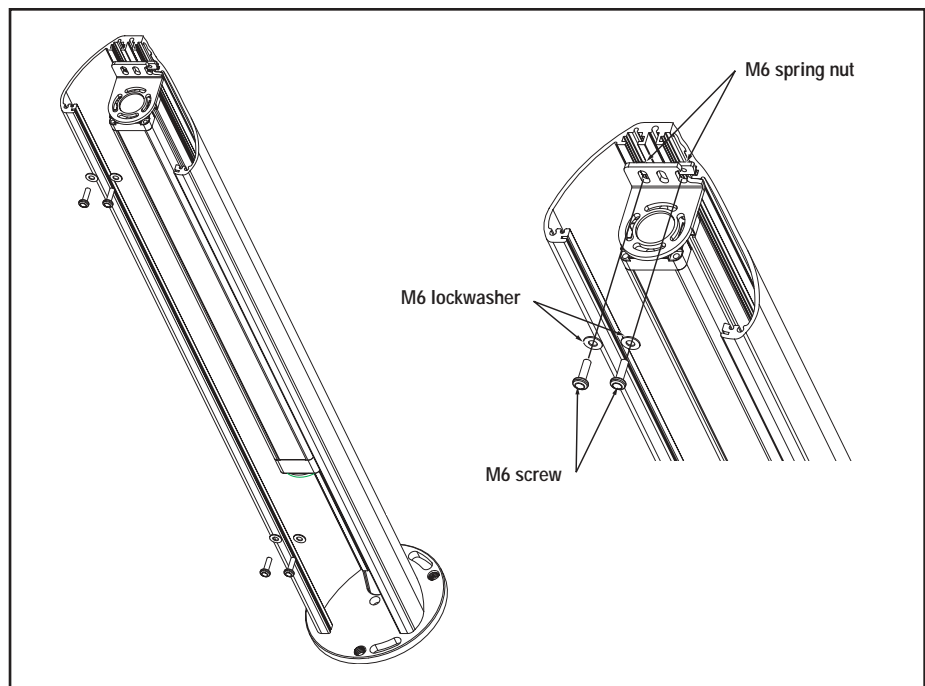


Figure 2. Installation of EZ-SCREEN emitter/receiver into EZA-S enclosure



Banner Engineering Corp Limited Warranty

Banner Engineering Corp. warrants its products to be free from defects in material and workmanship for one year following the date of shipment. Banner Engineering Corp. will repair or replace, free of charge, any product of its manufacture which, at the time it is returned to the factory, is found to have been defective during the warranty period. This warranty does not cover damage or liability for misuse, abuse, or the improper application or installation of the Banner product.

THIS LIMITED WARRANTY IS EXCLUSIVE AND IN LIEU OF ALL OTHER WARRANTIES WHETHER EXPRESS OR IMPLIED (INCLUDING, WITHOUT LIMITATION, ANY WARRANTY OF MERCHANTABILITY OR FITNESS FOR A PARTICULAR PURPOSE), AND WHETHER ARISING UNDER COURSE OF PERFORMANCE, COURSE OF DEALING OR TRADE USAGE.

This Warranty is exclusive and limited to repair or, at the discretion of Banner Engineering Corp., replacement. **IN NO EVENT SHALL BANNER ENGINEERING CORP. BE LIABLE TO BUYER OR ANY OTHER PERSON OR ENTITY FOR ANY EXTRA COSTS, EXPENSES, LOSSES, LOSS OF PROFITS, OR ANY INCIDENTAL, CONSEQUENTIAL OR SPECIAL DAMAGES RESULTING FROM ANY PRODUCT DEFECT OR FROM THE USE OR INABILITY TO USE THE PRODUCT, WHETHER ARISING IN CONTRACT OR WARRANTY, STATUTE, TORT, STRICT LIABILITY, NEGLIGENCE, OR OTHERWISE.**

Banner Engineering Corp. reserves the right to change, modify or improve the design of the product without assuming any obligations or liabilities relating to any product previously manufactured by Banner Engineering Corp.