

TRMS panel Voltmeter, Ammeter, frequency meter Direct and alternative current 50Hz, 60Hz, 400Hz



• RMS measures AC + DC:

Single phase or balanced three phase 0...440Hz
PWM, wave train,
Phase angle variation,
high level harmonics signals.



• Multi sensor for current measurement:

Shunt, transformer, Rogowski coil,
Hall effect sensor or direct input 1A and 5A.

• Programmable:

function: voltmeter, ammeter, frequency meter

• 6 digits measure display

4 digits alphanumerical display for the unit
Display: U, I, Hz

• option:

isolated analog output, 2 relay outputs
RS485 Modbus RTU
Ethernet Modbus TCP (6 concurrent connections) and SNMP

• Universal ac/dc wide range power supply



The IPL36L is a digital panel meter for measuring, monitoring and for the transmission of current, voltage and frequency of an AC or DC electrical network. Implementation is fast by simple configuration of input parameters. The various output options allow a wide range of application: measurement, protection, control,

measurement:

- Direct current or alternative current; single phase or balanced three phases (configurable PT and CT ratio or shunt sensitivity).
- 2 voltage input ranges: 150V, 600V others on request up to 1000V.
- 2 current input range: 200mV (external shunt), 1A or 5A internal shunt.
- external Hall effect current sensor (+/- 4V nominal input, +/-10V max)
- configurable integration time from 0.01s to 60 seconds for the measurement in slow waves train applications.
- frequency range from 1Hz to 440 Hz.
- function : hold time of maximal value (voltage and current)

Front face:

- 6 digits LED display, 14,2 mm height for the measure
- 4 digits alphanumeric LED matrix display for the units
- 2 red LEDs for relay status indication
- 3 push buttons for:

- * The complete configuration of the device
- * The select of displayed value (U, I, Hz)
- * The setting of alarm thresholds,

Relays (/R option):

1 or 2 relays, configurable in alarm with selection of the monitored measure (U, I, Hz). Threshold, direction, hysteresis and delay are individually adjustable on each relay (on & off delay).

Analog output (/S option):

1 galvanically isolated analog output, fully configurable:
type and range for monitor measure: (U, I, Hz)
type and range for analog output (0 .. 10 V, 0 ... 4 ... 20 mA)
response time (filter), limitation....

Communication (/C option):

RS485 link Modbus RTU
Ethernet (RJ45) link Modbus TCP / SNMP , Web server

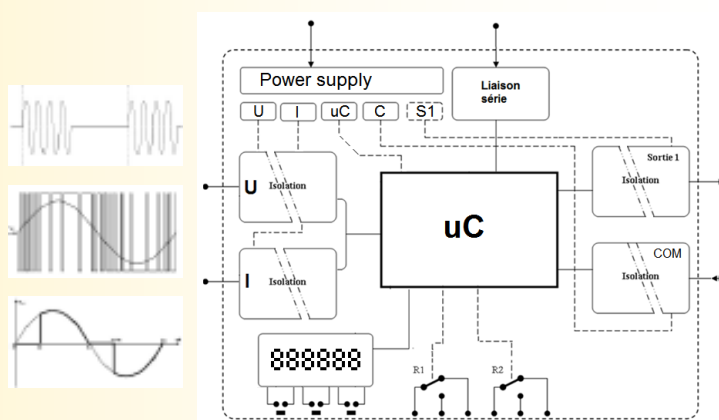
Configuration:

The device can be configured via the front face or with the serial RS232.
(USB cable -> 3.5 jack supplied separately)
- Firmware update is possible via this USB link.

Feature:

- DIN panel case : 96x48 mm, pluggable connectors,
- protection rating IP20 option IP65, conformal coating,

Synoptic:



Associated current sensors

shunt current transformer Hall effect sensor Rogowski coil



Version and order code:

[Request a quote](#)

- IPL36L** Direct input 1A / 5A or mV with remote shunt
 - IPL36L-Hall** Input for Split-core Hall effect sensor HcO type (up to +/-1200 A dc+ac)
 - IPL36L-Rogo** Input for Rogowski coil Rogoflex LT type (up to 2000Arms)
 - IPL36L/R1** + 1 relay
 - IPL36L/R2** + 2 relays
 - IPL36L/S** + 1 galvanically isolated analog output
 - IPL36L/CM** + RS485 MODBUS RTU
 - IPL36L/CMTCP+** ETHERNET MODBUS TCP / SNMP
- options /S, /CM, /CMTCP are not combinable.*

INPUT

TYPE	RANGE	ACCURACY
Voltage AC	150 ; 600 V	+/- 0.3% input range
Voltage DC	+/-200 ; +/- 900 V	+/- 0.3% input range
Input impedance	500Kohms - 2Mohms	
Overload	2 x input range during 3 s	
Measure threshold	0.5% of input range	
Power consumption	0.12 W	
Current ac/dc	+/-250mV (200mVac) (for shunt 50mV; 60mV; 100mV or split core CT) 1Aac / 5Aac direct input or for current transformer +/- 10Vmax for Hall effect sensor (sensor power supply: +/- 15V)	
Input impedance	0.05 ohms: 5A / 0.25 ohms: 1A	
Overload	6 x input range during 3 s	
Measure threshold	0.5% of input range	
Power consumption	max 1.25 W	
Frequency	0Hz / 1Hz....440 Hz	+/- 0.2 %

Other input range on request.
Note: use transformer for greater range in AC.

- measures / response time:
sampling integration time programmable from 10ms to 60s.

Communication

RS485	600...19200 bps	Modbus RTU
Ethernet (RJ45)	10/100 M	Modbus TCP/SNMP

ANALOG OUTPUT

TYPE	RANGE	ACCURACY
Current	0 ... 4 ... 20 mA	+/- 10 µA
Load	0 ... 750 Ohms	
Voltage on shunt	0 ... 5 ... 10 V	+/- 5 mV
	500 Ohms	

RELAY

Changeover contact. Switching power:
dc: 220Vdc-0.24A-60W; 125Vdc-0.24A-30W; 30Vdc-2A-60W
ac: 250Vac-0.25A-62.5VA; 125Vac-0.5A-62.5VA
surge voltage: 3Kv coil/contact ; 2.5Kv contact/contact
mechanical endurance: 10⁸ operations
Shock resistance : 300g functional

POWER SUPPLY

Universal: (2 versions: non polarized standard or low voltage)
standard: 21Vdc, 55Vac.....to.....265Vac/dc, 3VA
low voltage: 12Vdc.....to.....30Vdc, 3VA

ENVIRONMENT

Operating temperature	-10 to 60 °C
Storage temperature	-20 to 85 °C
Thermal drift (% of full scale)	< 0.03 % / °C
Humidity	85 % not condensed
Weight	~ 250 g
Protection rating	IP20 (option IP65)
Dielectric strength	1500 Vrms continuous
MTBF (MIL HDBK 217F)	Inputs / Power / Outputs / Relays > 2 000 000 Hrs @ 25°C
Life time	> 200 000 Hrs @ 30°C

Electromagnetic compatibility 2014/30/UE / Low Voltage Directive 2014/35/UE

Immunity standard for industrial environments EN 61000-6-2		Emission standard for industrial environments EN 61000-6-4
EN 61000-4-2 ESD	EN 61000-4-8 AC MF	EN 55011 group 1 class A
EN 61000-4-3 RF	EN 61000-4-9 pulse MF	
EN 61000-4-4 EFT	EN 61000-4-11 AC clips	
EN 61000-4-5 CWG	EN 61000-4-12 ring wave	
EN 61000-4-6 RF	EN 61000-4-29 DC dips	



WIRING AND OUTLINE DIMENSIONS:

panel cutout : 92.5 x 42.5 mm

