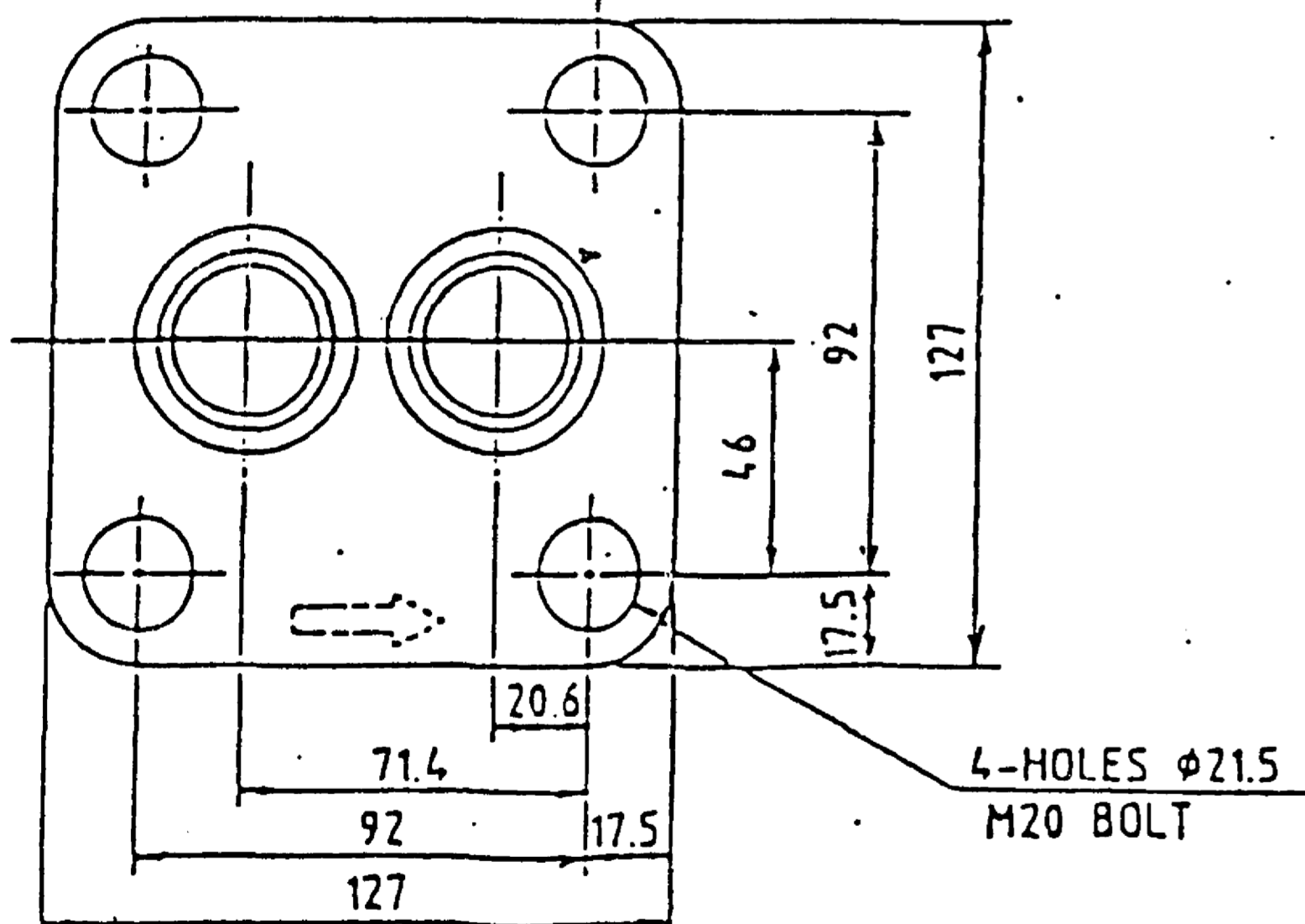
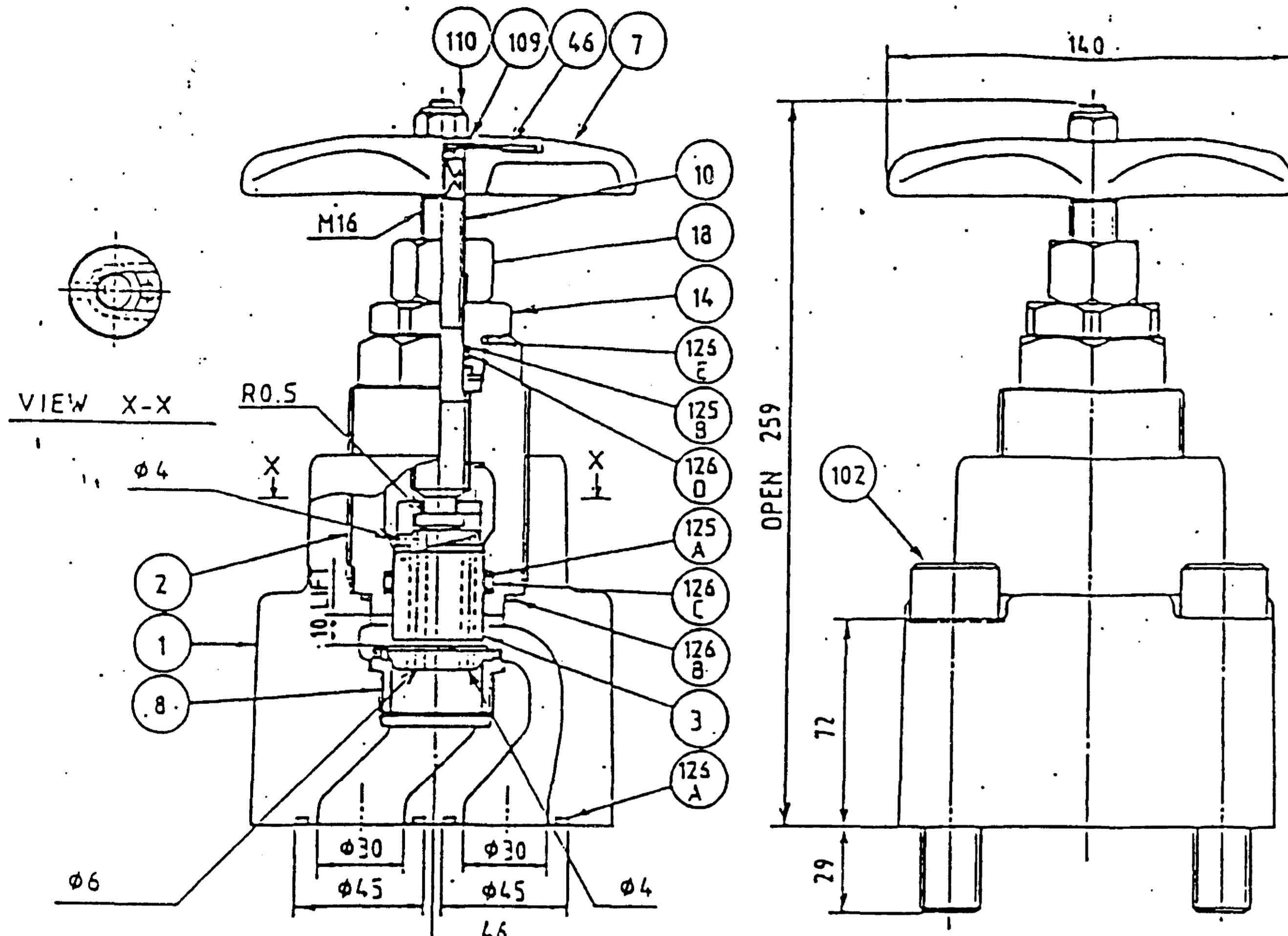


S.N. 56-4228  
 USED F4-F7 WRB VALVE STANDS - SCHEMATIC DWG. 689754  
 USED F5-F7 AGE VALVE STANDS - SCHEMATIC DWG. 689755



MASS 13 kg

MAX. WORKING PRESSURE	315	kgf/cm <sup>2</sup>	APPROVED	<i>H. Murasaki</i>
SEAT TEST PRESSURE	475	kgf/cm <sup>2</sup>	CHECKED	<i>X. Murasaki</i>
SHELL TEST PRESSURE	475	kgf/cm <sup>2</sup>	DRAWN	<i>J. Tanaka</i>
NAME: GASKET TYPE STOP VALVE FOR HYDRAULIC USE				
MODEL NO.: HGZ-4211-32-35-187				
HIROSE VALVE INDUSTRY CO., LTD.				
DATE	DRAWING NO.			
1988.11.18	ES-6520			

NO.	NAME OF PARTS	MATERIALS	QTY	REMARKS
126E	O-RING	NITRILE RUBBER	1	JIS B 2401 18 G35
126D	O-RING	NITRILE RUBBER	1	JIS B 2401 1A P16
126C	O-RING	NITRILE RUBBER	1	JIS B 2401 1A P32
126B	O-RING	NITRILE RUBBER	1	JIS B 2401 18 G50
126A	O-RING	NITRILE RUBBER	2	JIS B 2401 18 G40
125B	BACK-UP RING	TEFLON	1	JIS B 2407 T2 P16
125A	BACK-UP RING	TEFLON	2	JIS B 2407 T2 P32
110	U-NUT	SUP-3 SS41	1	
109	PLAIN WASHER	SS41	1	
102	HEXAGON SOCKET HEAD BOLT	SCM435	4	M20x100 L
46	NAME PLATE	A5052P	1	
18	LOCK NUT	SS41	1	
14	GLAND	S45C	1	
10	STEM	SCM435	1	TUFFTRIDE TREATMENT
8	SEAT RING	SCM435	1	
7	HANDLE	FC20	1	
3	DISC	S45C	1	INDUCTION HARDENING
2	BONNET	FC040	1	
1	BODY	FC040	1	

EQUIP. No. 3840473000 BLDG. No. 6003

THIS PRINT IS OWNED BY ARMCO INC. AND SHALL BE RETURNED UPON REQUEST. ITS CONTENTS MUST NOT BE COPIED OR DISCLOSED TO OUTSIDERS.

**ARMCO**  
**ARMCO INC.**  
 EASTERN STEEL DIVISION  
 MIDDLETOWN WORKS, MIDDLETOWN, OHIO

DEPT. HOT STRIP MILL  
 SUBJECT HYDRAULIC SYSTEM H1 VALVE DETAILS

DATE 11-11-95  
 DRAWN BOUTIERE  
 CHECKED \_\_\_\_\_  
 SCALE NONE

**224435**

S.M.	SHEET NO.	CHARGE	R.E.S.	REV.	DATE	BY	MICROFILM DATE
				D			
				C	11-28-99	RMB COR. S.N.	
				B	11-30-98	BB/RR	ADDED NOTE (REF)
				A	12-5-97	BB/RR	

ORIGINAL

147-11082