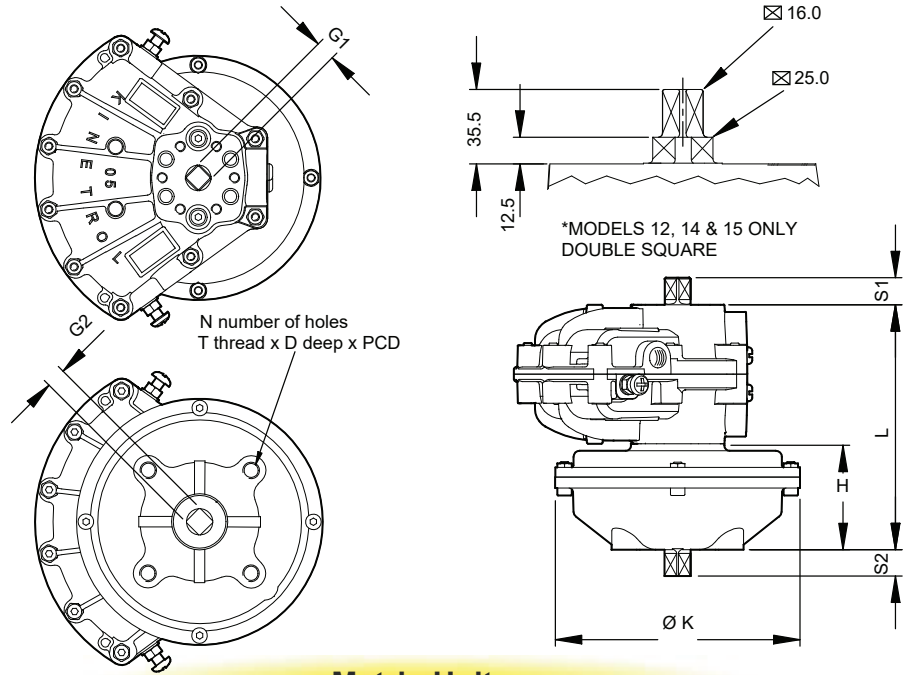


Male Spring Return Actuator Dimensions



Metric Units

Actuator** Model	L mm	H mm	ØK mm	⊠G1 mm	⊠G2 mm	S1 mm	S2 mm	N No.	T ISO	D mm	PCD mm	Wt kg †
024-120	90	40	73	8.0	8.0	10	10	4	M4	8.0	25.5	0.93
034-120	103	43	107	9.0	9.0	12	12	4	M5	10.0	31.1	2.03
054-120	117	50	119	9.5	9.5	13	13	6	M5	8.0	34.9	3.12
074-120	182	82	152	16.0	16.0	20	20	4	M8	16.0	50.9	6.04
084-120	197	87	174	16.0	17.0	20	19	4	M8	16.0	70.0	7.62
094-120	218	92	200	16.0	19.0	20	26	4	M10	20.0	65.0	11.06
104-120	285	110	206	16.0	22.0	20	26	4	M10	16.0	102.0	14.80
124-120	293	136	258	16.0*	25.0	36	31	4	M12	24.0	77.8	23.50
144-120-4900	417	217	258	16.0*	28.6	36	38	4	M16	28.5	98.8	43.10
144-120	387	187	396	16.0*	28.6	36	38	4	M16	28.5	98.8/140.0	64.10
144-120-5000	337	137	258	16.0*	28.6	36	38	4	M16	28.5	98.8	38.18
154-120	432	187	396	16.0*	36.0	36	41	4	M16	28.5	140.0	77.00
164-120-6100	461	187	396	41.0	41.0	55	55	4	M24	28.0	152.7	88.10
164-120	486	212	524	41.0	41.0	55	55	4	M24	38.0	152.7	140.0
184-120-7000	572	212	524	57.0	57.0	78	78	4	M30	50.0	226.3	161.0
184-120	602	242	634	57.0	57.0	78	78	4	M30	50.0	226.3	278.0
204-120-8000	861	238	634	73.0	73.0	100	100	8	M30	50.0	226.3	390.0
204-120-7300	1032	412	524	73.0	73.0	100	100	8	M30	50.0	226.3	408.0
204-120	982	359	634	73.0	73.0	100	100	8	M30	50.0	226.3	538.0
304-120-7600	1293	412	524	73.0	73.0	100	100	8	M30	50.0	226.3	524.0
304-120-8300	1243	358	634	73.0	73.0	100	100	8	M30	50.0	226.3	630.4
304-120-7800	1493	612	524	73.0	73.0	100	100	8	M30	50.0	226.3	688.0
304-120	1354	483	634	73.0	73.0	100	100	8	M30	50.0	226.3	768.4

† All weights include coupling - except 103

English Units

Actuator** Model	L inch	H inch	ØK inch	⊠G1 inch	⊠G2 inch	S1 inch	S2 inch	N No.	T UNC	D inch	PCD inch	Wt lb †
027-120	3.54	1.58	2.87	0.315	0.315	0.39	0.39	4	8-32	0.31	1.00	2.05
037-120	4.06	1.69	4.21	0.354	0.354	0.47	0.47	4	10-24	0.39	1.225	4.48
057-120	4.61	1.97	4.69	0.375	0.375	0.51	0.51	6	10-24	0.31	1.375	6.88
077-120	7.17	3.23	6.00	0.630	0.630	0.79	0.79	4	5/16-18	0.63	2.00	13.32
087-120	7.76	3.43	6.85	0.630	0.669	0.79	0.75	4	5/16-18	0.63	2.76	16.80
097-120	8.58	3.62	7.90	0.630	0.748	0.79	1.02	4	3/8-16	0.79	2.56	24.38
107-120	11.22	4.33	8.11	0.630	0.866	0.79	1.02	4	3/8-16	0.63	4.02	32.63
127-120	11.54	5.35	10.16	0.630*	0.984	1.40	1.22	4	1/2-13	0.94	3.06	51.81
147-120-4900	16.43	8.54	10.16	0.630*	1.125	1.40	1.50	4	5/8-11	1.12	3.89	95.02
147-120	15.24	7.36	15.59	0.630*	1.125	1.40	1.50	4	5/8-11	1.13	5.51	141.32
147-120-5000	13.27	5.40	10.16	0.630*	1.125	1.40	1.50	4	5/8-11	1.13	3.89	84.19
157-120	17.00	7.36	15.59	0.630*	1.417	1.40	1.61	4	5/8-11	1.13	5.51	170.0
167-120-6100	18.15	7.36	15.59	1.614	1.614	2.17	2.17	4	7/8-9	1.10	6.01	194.2
167-120	19.11	8.33	20.63	1.614	1.614	2.17	2.17	4	7/8-9	1.50	6.01	308.0
187-120-7000	22.50	8.33	20.63	2.244	2.244	3.07	3.07	4	1 1/8-7	1.97	8.91	356.0
187-120	23.69	9.52	24.96	2.244	2.244	3.07	3.07	4	1 1/8-7	1.97	8.91	612.9
207-120-8000	33.90	9.37	24.96	2.874	2.874	3.94	3.94	8	1 1/8-7	1.97	8.91	859.8
207-120-7300	40.61	16.20	20.63	2.874	2.874	3.94	3.94	8	1 1/8-7	1.97	8.91	901.0
207-120	38.67	14.13	24.96	2.874	2.874	3.94	3.94	8	1 1/8-7	1.97	8.91	1186.1
307-120-7600	50.91	16.20	20.63	2.874	2.874	3.94	3.94	8	1 1/8-7	1.97	8.91	1158.0
307-120-8300	48.93	14.13	24.96	2.874	2.874	3.94	3.94	8	1 1/8-7	1.97	8.91	1389.8
307-120-7800	58.78	24.07	20.63	2.874	2.874	3.94	3.94	8	1 1/8-7	1.97	8.91	1520.0
307-120	53.68	19.02	24.96	2.874	2.874	3.94	3.94	8	1 1/8-7	1.97	8.91	1694.0

† All weights include coupling - except 107



** Clockwise (120) and counterclockwise (130) units have identical dimensions