

FOR	LEVEL SWITCH
FUNCTION	1-POINT ALARM
MOUNTING	TOP
ENCLOSURE	WEATHER PROOF (IP65)
MAX. PRESSURE	5 kgf/cm <sup>2</sup>
MAX. TEMP	120 °C

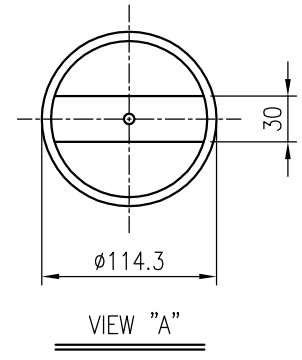
NO.	DESCRIPTION	MATERIAL	REMARK
1	COVER	C.S	
2	BASE	AL.C	
3	CONNECTOR	316L SS	
4	PROCESS CONN.	316L SS	
5	DISPLACER	316L SS	
6	STOPPER	316L SS	
7	ROD	316L SS	
8	SPRING HOLDER	316L SS	
9	GUIDE PIPE	316L SS	90A Sch.10S
10	LOW FLANGE	316L SS	100A 6T
11	GUIDE PLATE		

PROCESS CONN. SIZE	DISPLACER SIZE
100A JIS 5K FF	φ76.3xH150

ELECTRICAL SPECIFICATION		
SWITCH	TYPE	MICRO
	FORM	■ 1-SPDT
	CONTACT RATING	AC 250V, 15A DC 125V, 0.5A

SWITCH ACTION	
SWITCH NO. 1 (L1)	■ HIGH LEVEL (N.O)

TAG. NO.	FLUID	QT'Y	L1	L
	BILGE	2	1350	1550



NOTE  
1. GENERAL TOLERANCE ±3 EXCEPT AS NOTED.

NO.	DATE	REVISION	REV'D BY	CHK'D BY	APP'D BY
△	. .				
△	. .				
△	. .				
△	. .				
△	2016.10.05	1st ISSUE	J H CHOI	M J KIM	B S SHUNG

**HITROL** HITROL CO., LTD.

TITLE  
**DISPLACER TYPE LEVEL SWITCH  
HM-90A-1F**

SCALE	UNIT	SHEET NO.
N.S	mm	1/1
PROJECT		
DRAWING NO. HM90A-GA-001		

This drawing is the property of HITROL and shall not be copied, communicated, or given for third-party except with our written permission. This drawing is version 2.0 at last modify AUG, 2016