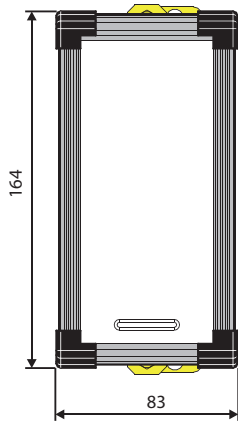
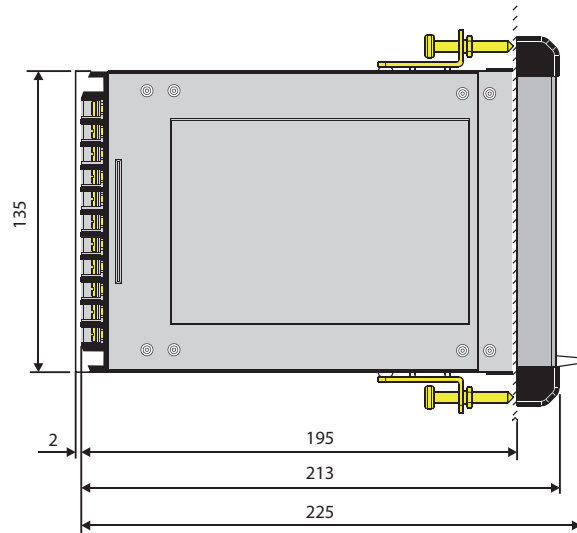


1 Module - Overall Dimensions (mm)

Protection degree IP44 (IP54 on request)

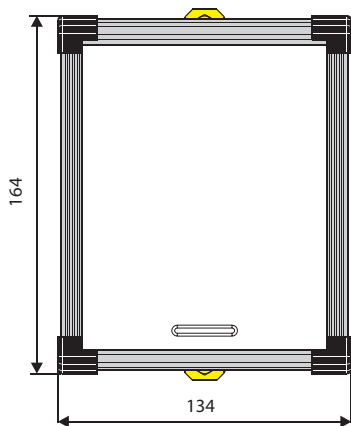


PANEL CUT OUT
64X137 (LXH)

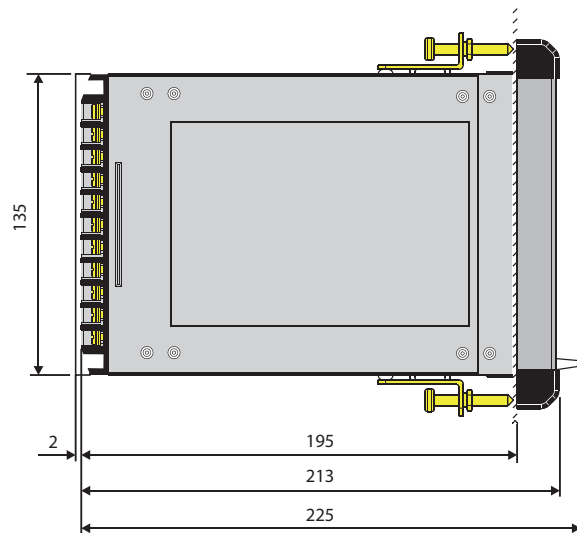


2 Modules - Overall Dimensions (mm)

Protection degree IP44 (IP54 on request)



PANEL CUT-OUT
115X137 (LXH)

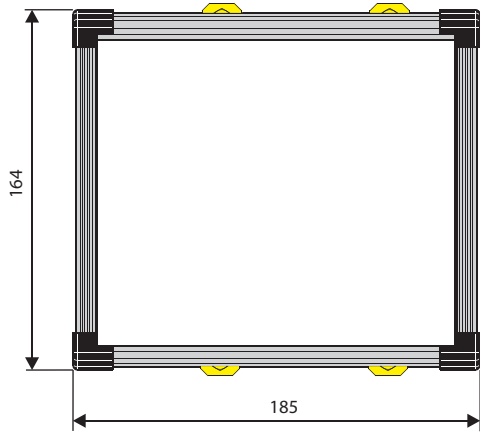


Electronics

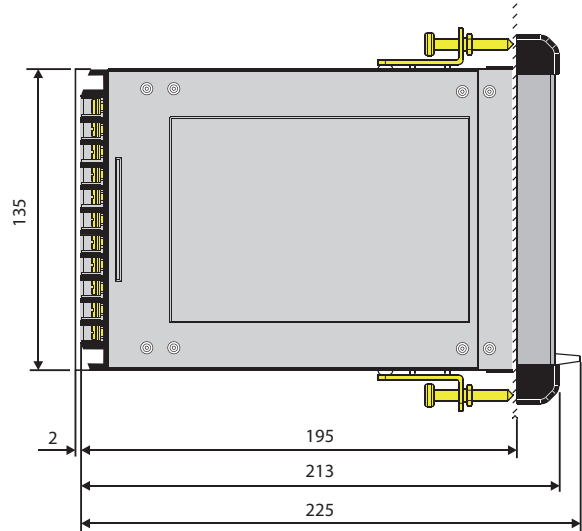
Relays Dimensions

3 Modules - Overall Dimensions (mm)

Protection degree IP44 (IP54 on request)

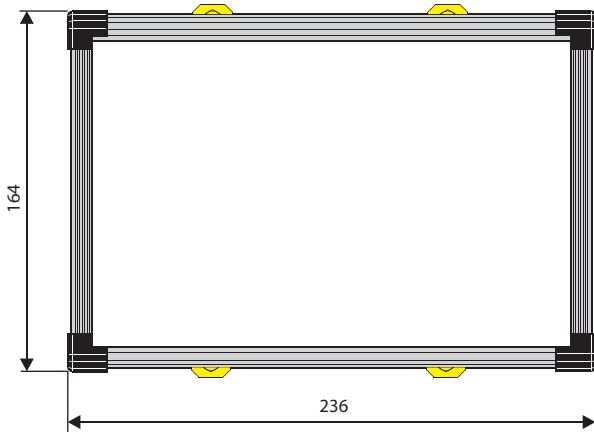


PANEL CUT-OUT
165X137 (LXH)

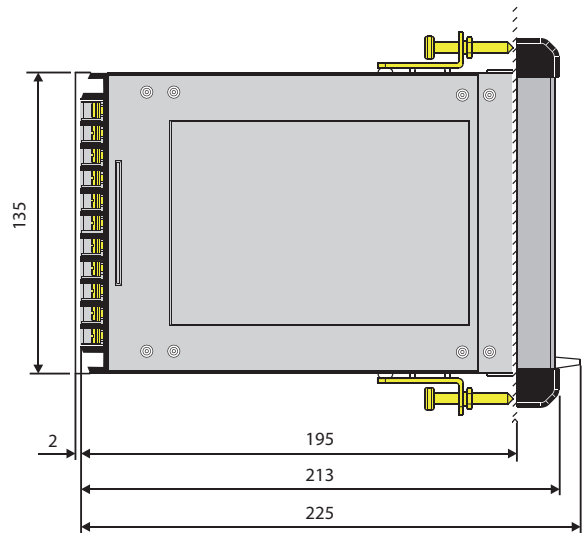


4 Modules - Overall Dimensions (mm)

Protection degree IP44 (IP54 on request)



PANEL CUT-OUT
217X137 (LXH)



PC01-ING-Rev.00



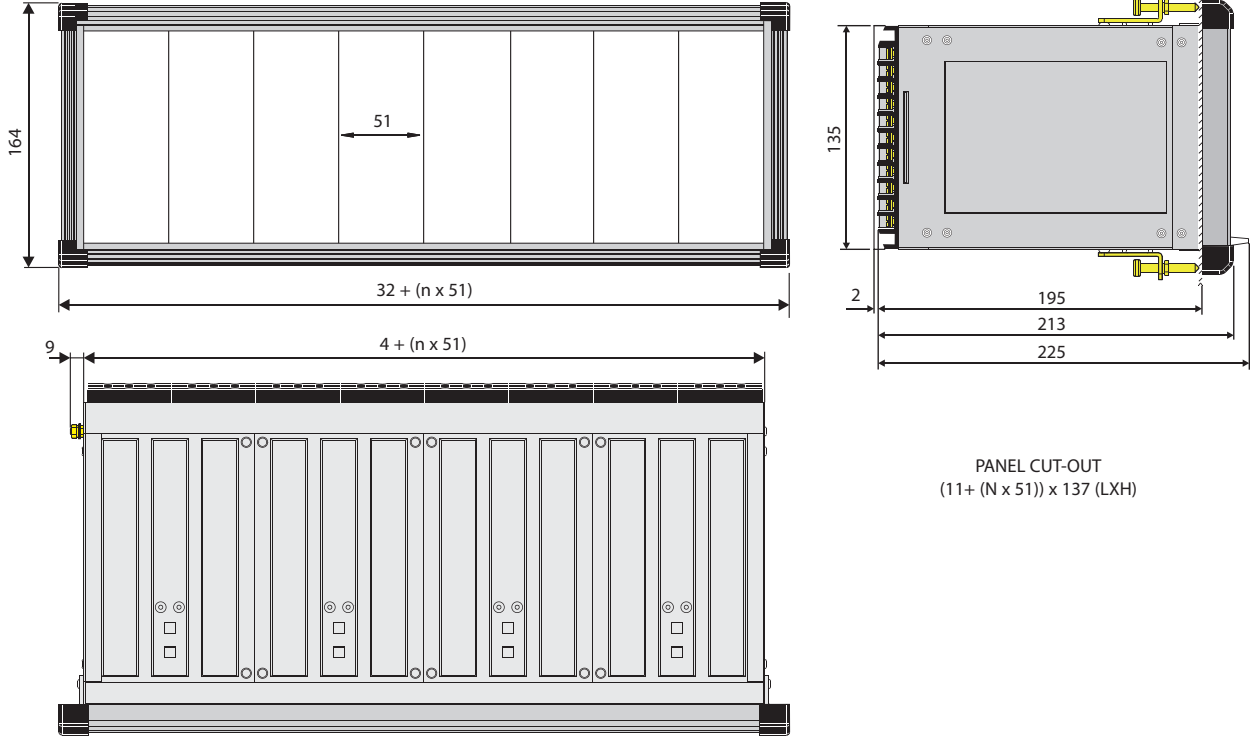
Microelettrica Scientifica

Electronics

Relays Dimensions

Multi-Module - Overall Dimension (mm)

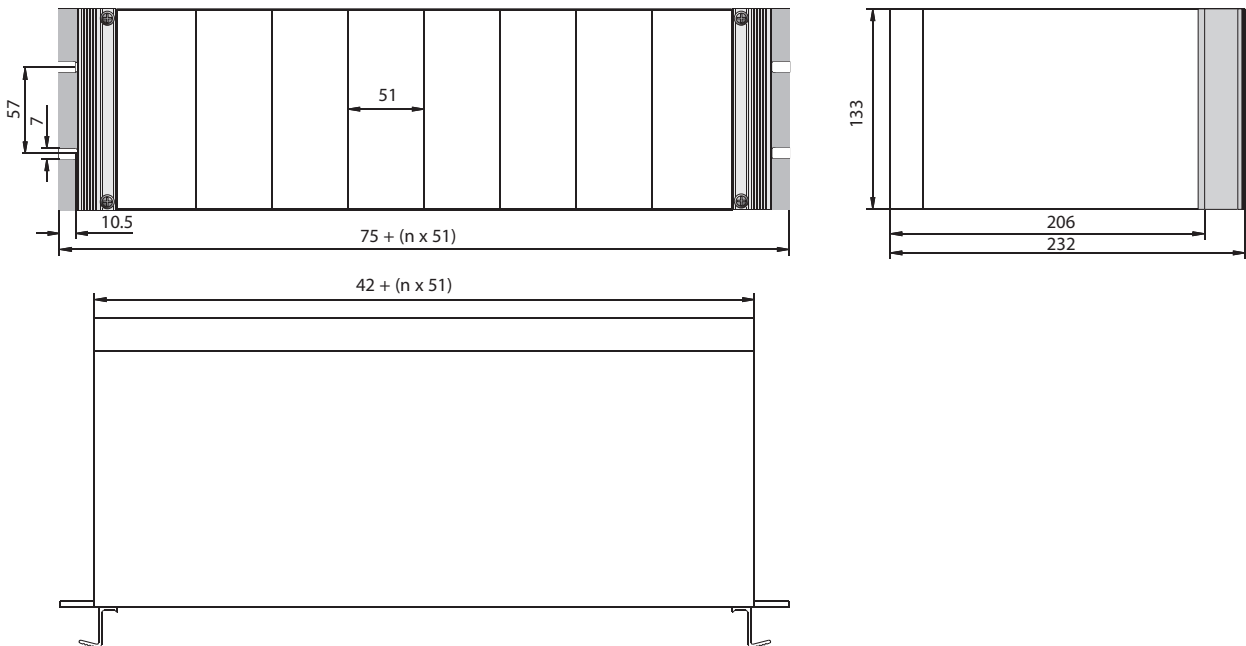
Protection degree IP44 (IP54 on request)



PANEL CUT-OUT
(11 + (N x 51)) x 137 (LXH)

Rack 19" - 3U - Overall Dimensions (mm)

19" Panel can be house up to 8 modules 51mm wide. Each ULTRA relay is 2 module wide (102mm).



The performances and the characteristics reported in this document are not binding and can modified at any moment without notice.