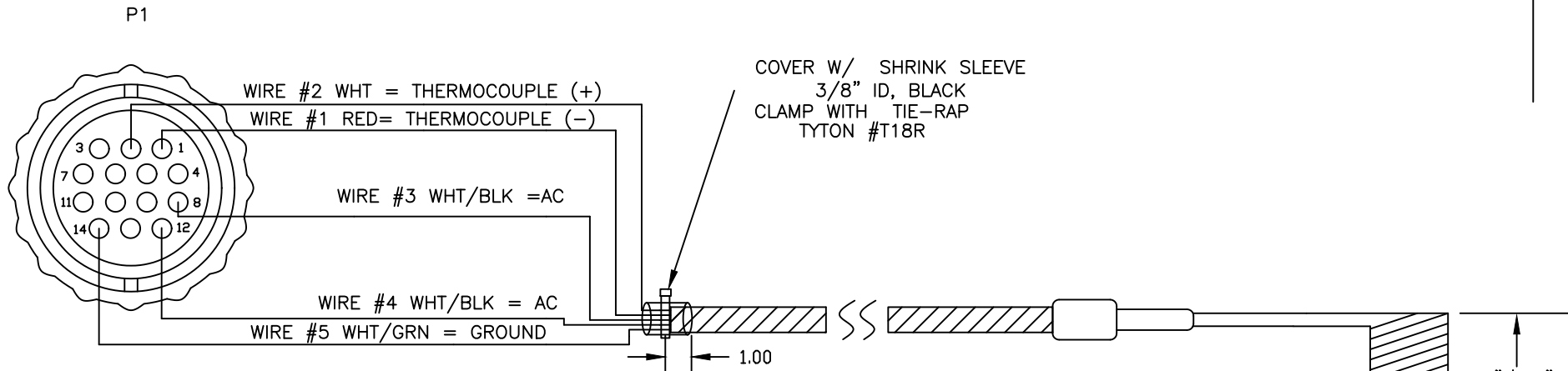


REVISIONS				
ISS	DESCRIPTION	DRAWN	APP'D	DATE



WIRE #	TYPE	GAUGE	COLOR	PART NUMBER	LENGTH *	TERMINAL	TO
1	STRND	24	RED	---	1"	AMP#66102-7 P1 - 1	
2	STRND	24	WHT	---	1"	AMP#66102-7 P1 - 2	
3**	STRND	24	WHT/BLK	---	1"	AMP#66102-7 P1 - 8	
4**	STRND	24	WHT/BLK	---	1"	AMP#66102-7 P1 - 12	
5	STRND	24	WHT/GRN	---	1"	AMP#66102-7 P1 - 14	

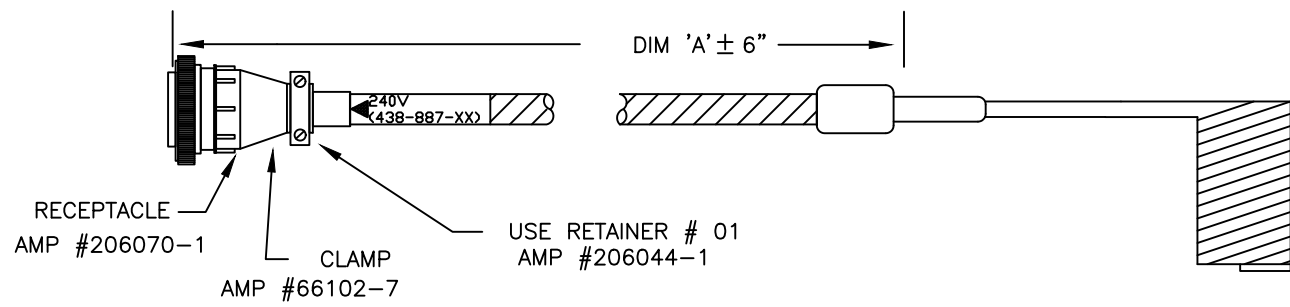
SPECIFICATIONS:

- 345W HEATER COIL
- 240V @ 1.5A
- TYPE - J THERMOCOUPLE

2.0" ± .2"
I.D. = 0.50" +0.015" -0.050"

* CUT LEADS TO 1" FROM CABLE JACKET.
** WIRES 3 AND 4 ARE INTERCHANGEABLE.

PART NUMBER	DIM 'A'
438-887	50"
438-887-5M	5 METER
438-887-7M	7 METER
---	---
---	---



NOTE:
SUPPLIER MUST TEST 100% BEFORE SHIPMENT.

PACKING:
1. INDIVIDUALLY BAG EACH CABLE IN POLYBAG AND LABEL WITH PART NUMBER. EXAMPLE: 438-886, 438-886-5M, 438-886-7M ETC..

SUPPLIER:
DUREX INDUSTRIES INC.
OR PROTHERM
OR DUROTHERM

FILENAME: 438-887-CODE_00.DWG
REF FILE:

COMPUTER GENERATED DO NOT MANUALLY REVISE	MATERIAL		FINISH		UNLESS OTHERWISE SPECIFIED DIMENSIONS ARE IN INCHES		FRACTIONS: +/-	2 PLACE DECIMAL: +/-	3 PLACE DECIMAL: +/-	ANGLES: +/-
	NEXT ASSY	FIRST USED	DUKANE		240V HEATER COIL ASSY		SCALE -/-	ECN 7317	DATE 1-31-08	
APPLICATION		ST.CHARLES, ILLINOIS 60174		DRAWN MB		APP'D WJ		NO. 438-887-CODE		00
				CHECKED MB		ENGR WJ		SHEET 1		DF 1
										ISS