

CESA/B, CESMA/B, CESC, CESS(B) Type Resistance Electric Lubricator

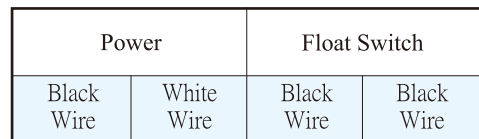
◆ Features

1. CES resistance type electric lubricator series include CESA/B, CESMA/B, CESC and CESS(B) types. The accessories are different by each model. Please refer to the specification for further details.
2. CES series can provide fixed amount of oil with fixed interval time setting. Once connecting to the power, the lubricator works automatically.
3. The interval time could be set up on request (2, 3, 5, 10, 15, 30, 60 minutes), and it is not able to be adjusted by the users.
4. The discharge volume could be set up on request and users can adjust it by themselves. The standard specification of discharge volume is 3-6 cc/stroke, but 1-6 cc/stroke is also available on request.
5. CES series use a Japanese synchronous motor, worm gear and a worm shaft working together.
6. CESB, CESMB and CESC type have float switches for detecting the oil level.
7. The standard specification of the float switch for CESB type and CESMB type are NO contact but for CESC type is NC contact.

◆ Application of Machines Equipment

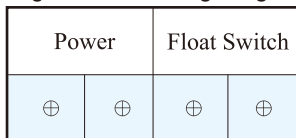
1. It is suitable for the machinery which needs fixed interval time and discharge volume.
2. It usually works with desktop lathes or woodworking machinery or press machines.

CESS Single Phase Wiring Diagram

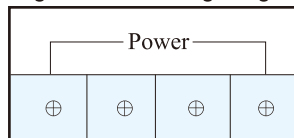


1. CESS Type has no terminal base.
2. CESS Type standard has no float switch, but could be assembled one on request.

CESB · CESMB Single Phase Wiring Diagram



CESA · CESMA Single Phase Wiring Diagram



Model	Interval Time	Motor	cc/stroke	Max Pressure	1Ø Voltage	Ampere	Hertz	Discharge Bore	Oil Viscosity
CESA	2 (not available for CESC type), 3, 5, 10, 15, 30, 60 mins (Non-Adjustable)	4W	3-6cc	3kgf/cm ²	110V 220V	0.1A 0.05A	50/60Hz compatible	Ø4 or Ø6	32-68cSt@40°C
CESB									
CESMA									
CESMB									
CESC									
CESS(B)	1-3cc								

Model	Capacity Liters	Fixed Hole Distance(mm)	Length (mm)	Width (mm)	Height (mm)	Weight (kg)	Float Switch	Wiring	Buzzer	IC Board
CESA	2L	176	197	139	255	1.91	×	Pull Out	×	×
CESB			197	139	255	1.97	○		×	×
CESMA			206	139	255	2.07	×	Inside	×	×
CESMB			206	139	255	2.13	○		×	×
CESC			197	139	255	2.04	○	Pull Out	○	○
CESS	1L	100	130	88	199	1.28	×	Pull Out	×	×

◆ Order code :

CES A	10	C	6	3	※
Model	Interval	Voltage	Discharge Volume	Discharge Bore	Special Request
A : Standards, Wiring Pull Out	02 : 2min	A : 110V	1 : 1~6cc (Adjustable)	0 : Ø4	※L : Add a Light
B : With Float Switch, Wiring Pull Out	03 : 3min	C : 220V	6 : 3~6cc (Adjustable)	1 : Ø6	
MA : Standards, Wiring Inside	05 : 5min			2 : Ø4 (With Pressure Gauge)	
MB : With Float Switch, Wiring Inside	10 : 10min			3 : Ø6 (With Pressure Gauge)	
C : With IC Box and Buzzer	15 : 15min				
	30 : 30min				
	60 : 60min				

◆ Order code :

CES S	10	C	3	1	※
Model	Interval	Voltage	Discharge Volume	Discharge Bore	Special Request
S : Standards, Tank Capacity 1L	02 : 2min	A : 110V	1 : 1~3cc (Adjustable)	0 : Ø4	
SB : With Float Switch Tank Capacity 1L	03 : 3min	C : 220V	3 : 3 cc (Non-Adjustable)	1 : Ø6	
	05 : 5min				
	10 : 10min				
	15 : 15min				
	30 : 30min				
	60 : 60min				

CESA/B, CESMA/CEMB, CESC, CESS (B) Type Resistance Electric Lubricator

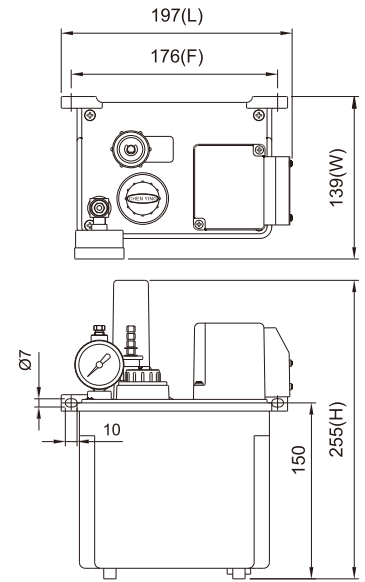
CESA/B, CESMA/CEMB, CESC, CESS (B) Type Resistance Electric Lubricator



CESA



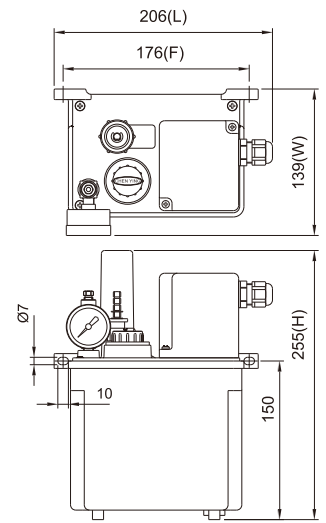
CESB



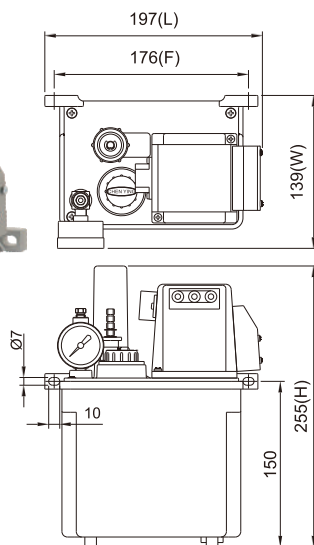
CESMA



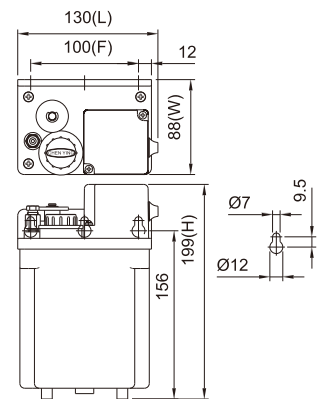
CESMB



CESC



CESS



CESSB

With CE Certified Connector

