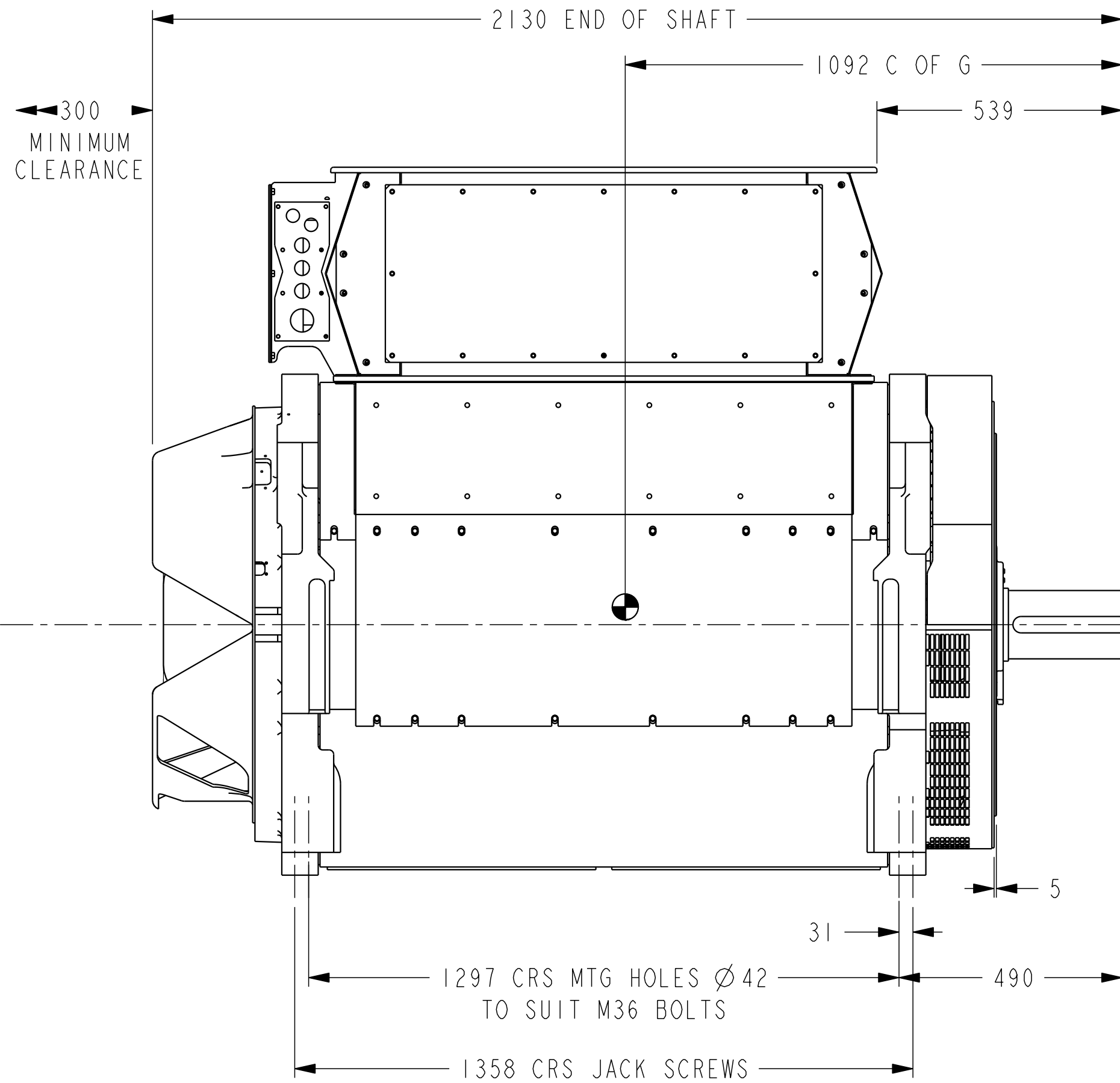
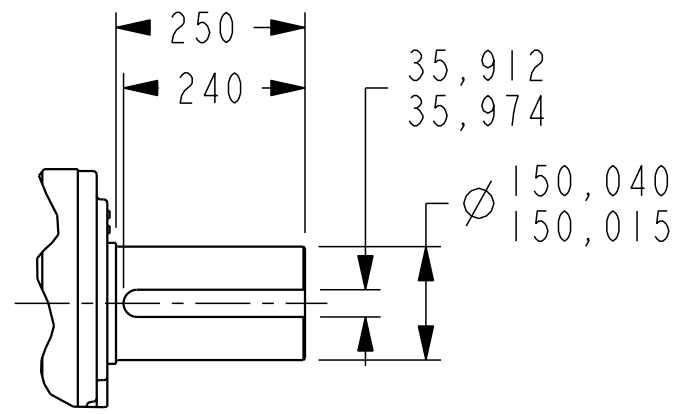


DRG. SIZE C	REL. PHASE P	PART No 80-2393	ISSUE A
----------------	-----------------	--------------------	------------

IF IN DOUBT-ASK
DO NOT SCALE

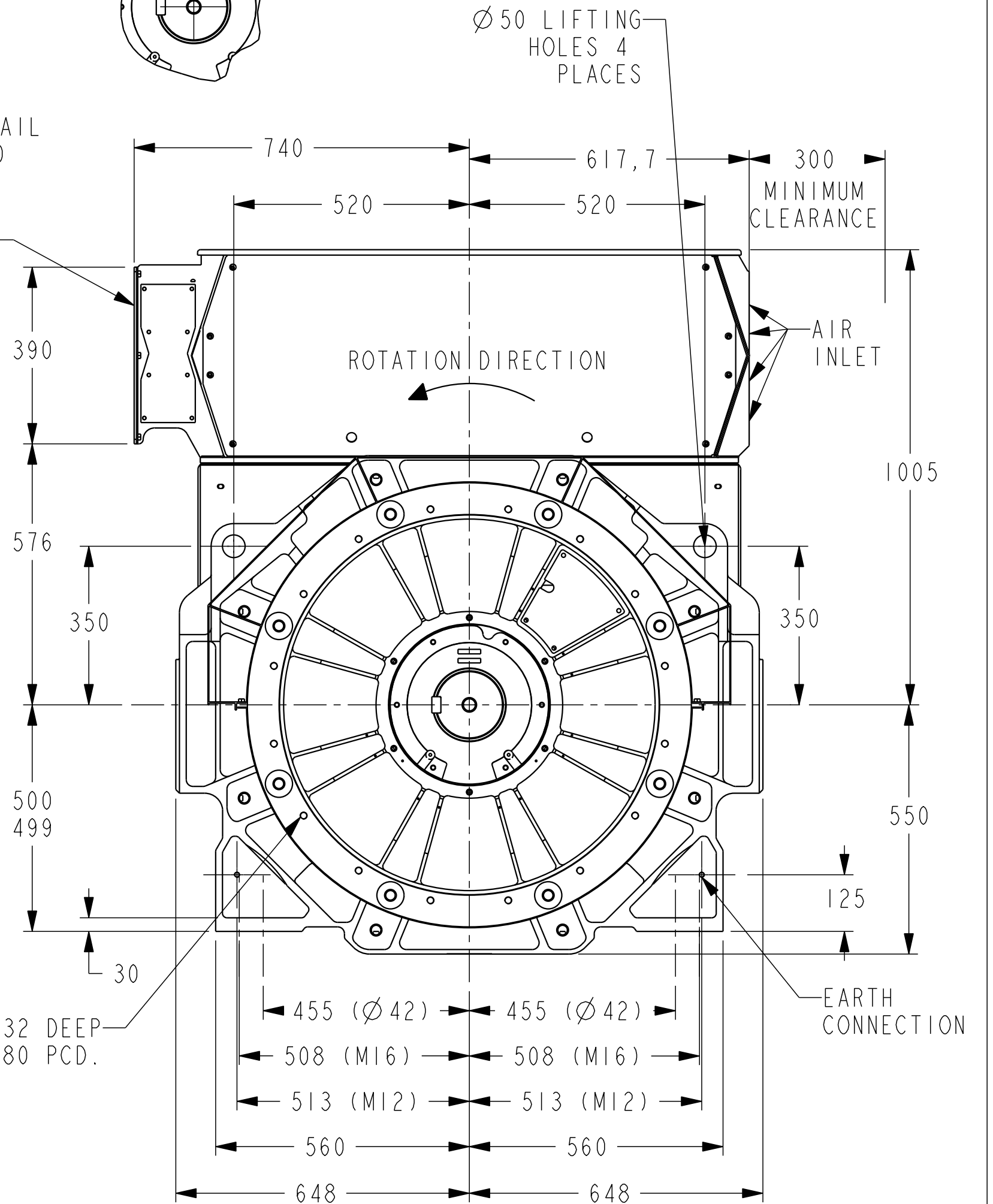
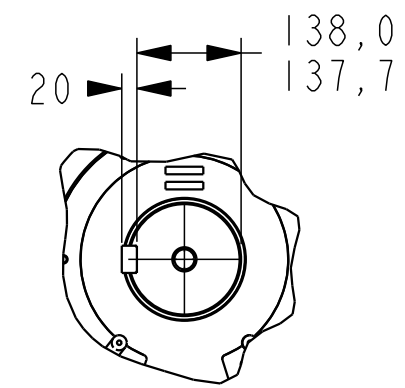


APPROVED DOCUMENT

2 BEARING DETAIL
SCALE 1:10

5MM THK
ALUMINIUM
GLAND
PLATE

16-HOLES M16 X 32 DEEP
EQUI-SPACED ON AN 880 PCD.

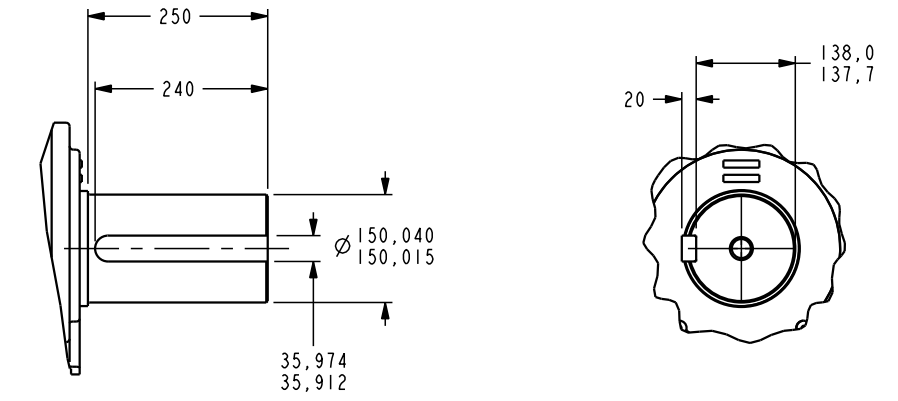
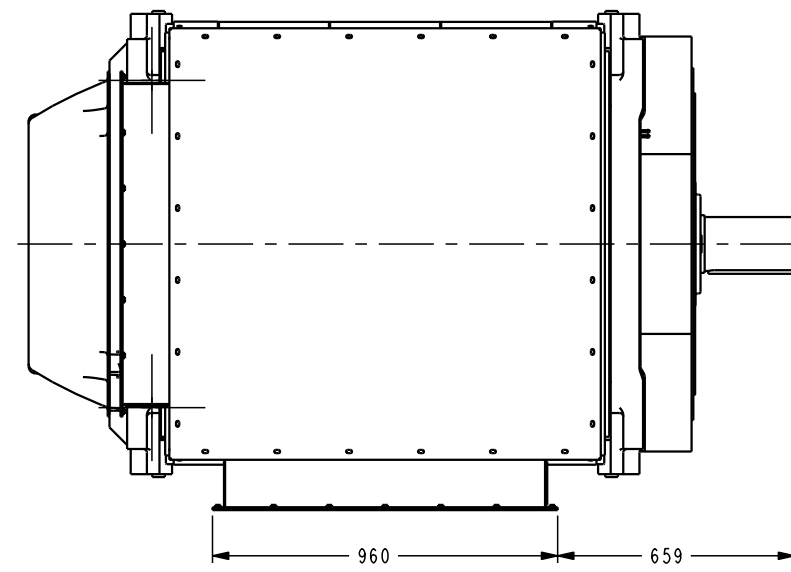


CONFIDENTIAL PROPERTY OF
CUMMINS GENERATOR TECHNOLOGIES LTD

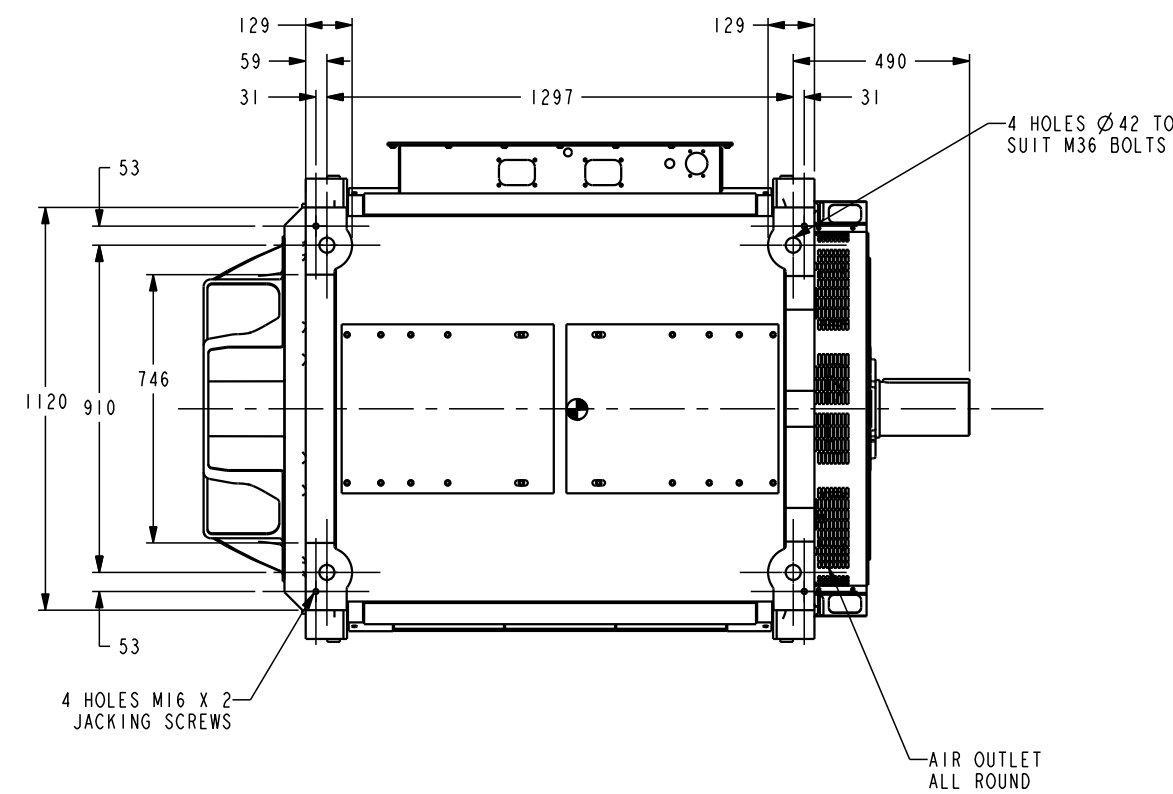
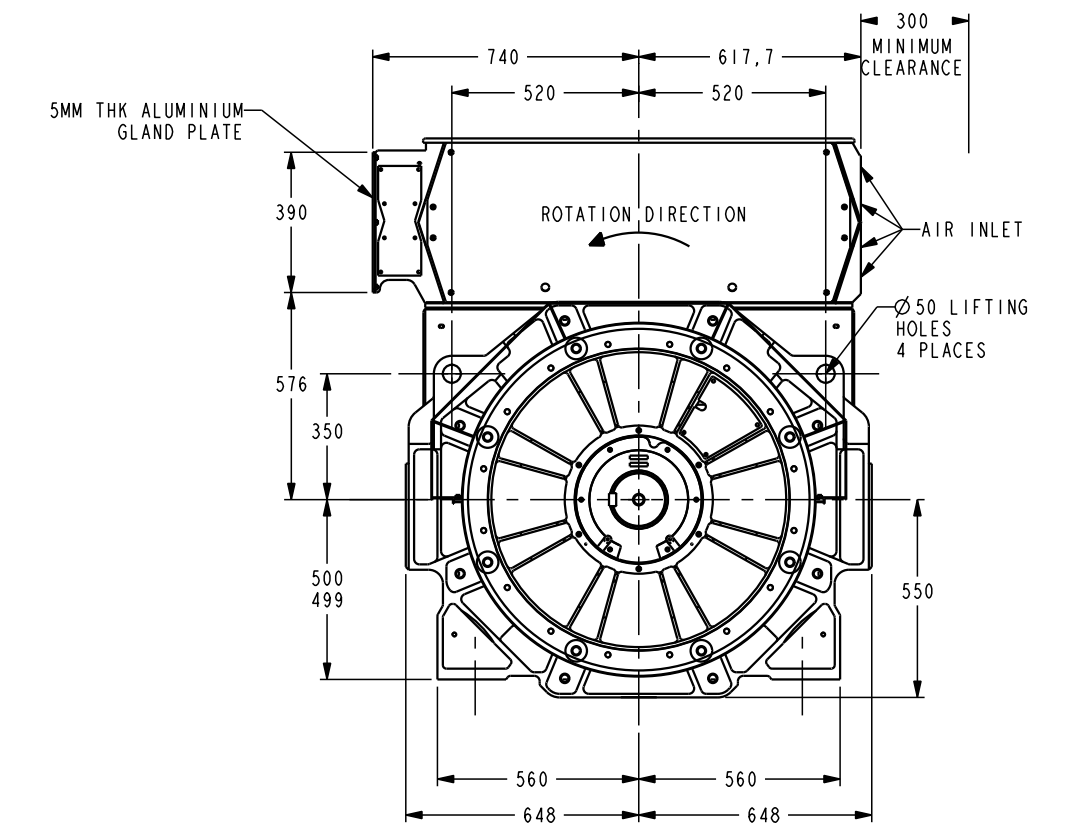
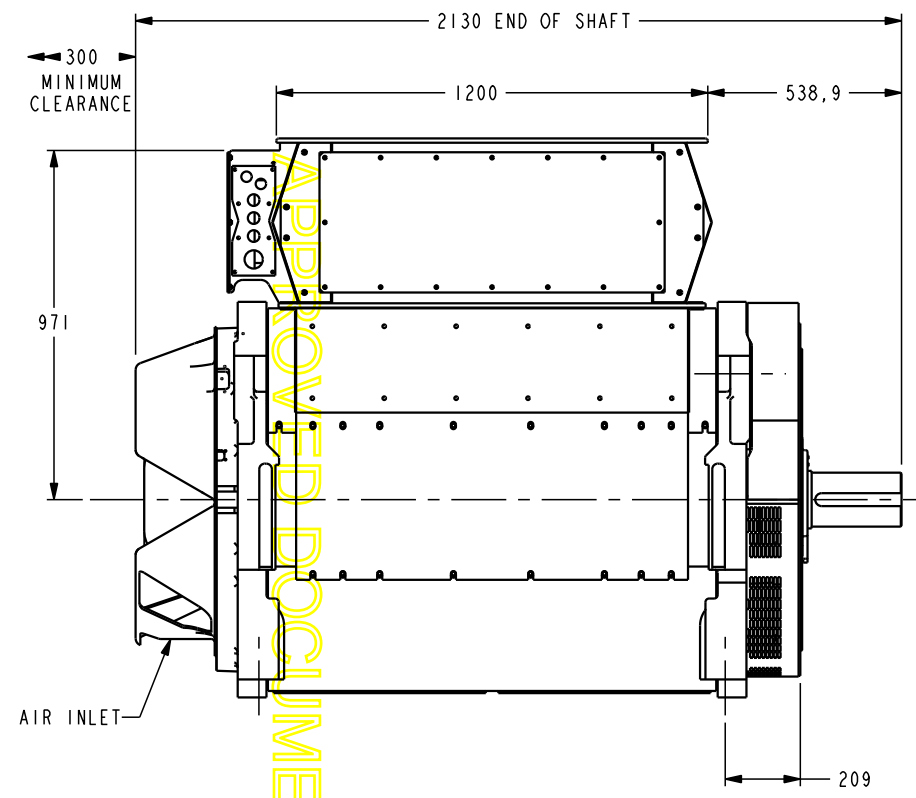
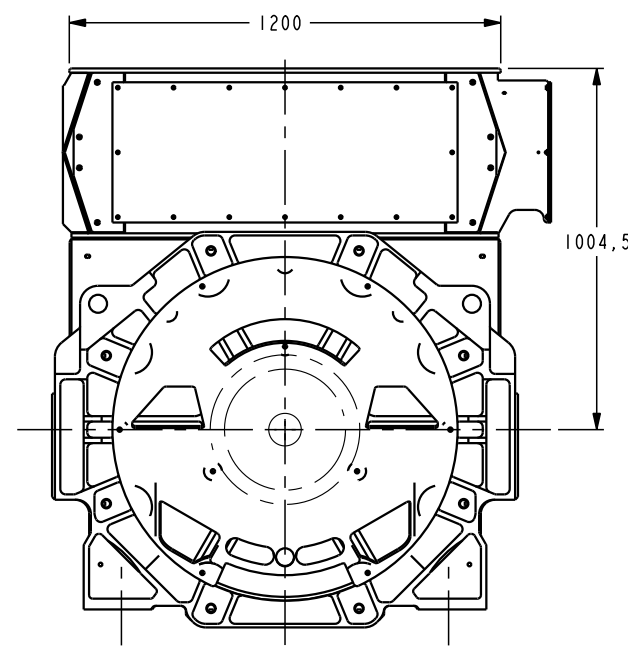
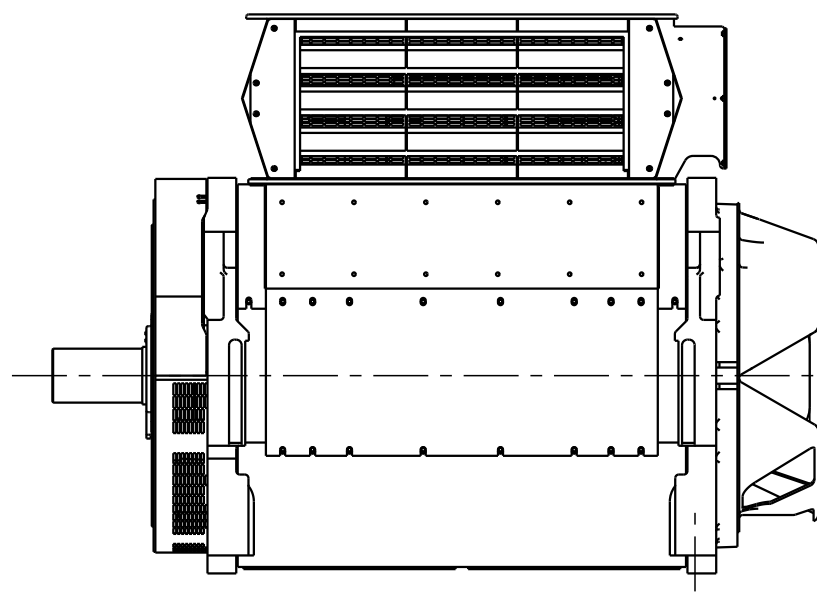
P80 ALTERNATOR LV T CORE
CENTRE HEIGHT = INTEGRAL 500
CONNECTION ADAPTOR NONE

MATERIAL PROPS	-	DIMENSIONS IN MILLIMETRES (MM) AT 20°C	PROJECTION			SCALE 1:10	MATERIAL SEE BOM
FINISH SPEC	-						
GEOMETRY SPEC	-	SURFACE FINISH VALUES IN MICRO METRES	WEIGHT = 6147 KG			DRG. SIZE C	CASTING No
ASSEMBLY SPEC	-						
PERFORMANCE SPEC	-	UNLIMITED DIMS ± --	DRAWN	IAM	11/09/07	REL. PHASE P	PART No 80-2393
QUALITY SPEC	-		CHECKED	IAM	11/09/07		
			APPROVED	R.MAC	11/09/07	Pro/ENGINEER	ISSUE A

4-8326-05	A	IAM	11/09/07	ORIGINAL ISSUE
MOD.	ISSUE	DRAWN	DATE	MODIFICATION



2 BEARING SHAFT DETAIL
SCALE 1:5



FRAME	P80
CORE LENGTH	T
VOLTAGE RATING	LV
BEARINGS	2
CENTRE HEIGHT	INTEGRAL 500
ADAPTOR	NONE
COUPLING	NONE
ENCLOSURE	IP23
CABLE ENTRY FROM DE	LEFT

CONFIDENTIAL PROPERTY OF CUMMINS GENERATOR TECHNOLOGIES LTD				P80 ALTERNATOR LV T CORE CENTRE HEIGHT = INTEGRAL 500 CONNECTION ADAPTOR NONE	
MATERIAL PROPS	-	DIMENSIONS IN MILLIMETRES (MM) AT 20°C	PROJECTION 	SCALE 1:10	MATERIAL SEE BOM
FINISH SPEC	-	SURFACE FINISH VALUES IN MICRO METRES	WEIGHT = 6147 NG	DRG. SIZE A	CASTING No
GEOMETRY SPEC	-	UNLIMITED DIMS ±	DRAWN IAM 11/09/07	REL. PHASE P	PART No 80-2393
ASSEMBLY SPEC	-		CHECKED IAM 11/09/07	ISSUE A	
PERFORMANCE SPEC	-		APPROVED R.MAC 11/09/07	PREP/ENGINEER	
QUALITY SPEC	-				SHEET 2 OF 2 SHEETS

4-8326-05	A	IAM	11/09/07	ORIGINAL ISSUE
MOD.	ISSUE	DRAWN	DATE	MODIFICATION