

TECHNICAL DATASHEET

Asynchronous Motor 4A 632-2
--

Customer:	
Ref:	
Order:	
Motor:	
Serial nr:	
Date:	2024-04-23

Nameplate Data:

Code: 113781

Type: 4A 632-2					
kW	Hz	V	A	Rpm	Cos
0,25	50	230D	1,1	2720	0,81
0,25	50	400Y	0,65	2720	0,81
0,3	60	460Y	0,68	3264	0,81
Eff.(100%) 50Hz	Duty	IE-class	Amb.temp.	IP rating	Iso.class
69,0	S1	IE1	-20° - +40°C	IP55	F/B
Nominal data S1-duty, Amb.temp 40°C:					
Voltage - V:	400	Mounting form:	B5		
Frequency - Hz:	50	Bearing DE:	6201-2Z/C3		
Power - kW:	0,25	Bearing NDE:	6201-2Z/C3		
Full load speed - rpm:	2720	Weight - kg:	4,7		
Full load current - A:	0,65	Heater:	No		
Full load power factor - Cos:	0,81	Th.Protection:	No		
Locked rotor current - A:	3,6	Kgm ² :	0,0006		
Locked rotor factor - A _{st} /A _n :	5,5	Sound press.-db(A):	-		
Efficiency 100% load - %:	69,0	Cooling:	IC411		
Efficiency 75% load - %:	98,5	Over load/speed test:			
Efficiency 50% load - %:	66	H-pot test voltage:	2000		
Full load torque - Nm:	0,88	Temp rise in stator:	F		
Locked rotor torque - Nm:	2,0	Over load 160% - 15 sec			
Locked rotor torque - Nm _{st} /Nm _n :	2,3	kW:	0,4		
Max. Pull out torque - Nm:	2,0	Hz:	50		
Max. Pull out torque. - Nm _{st} /Nm _n :	2,3	V:	400		
Other:		A:	1,0		
		Rpm:	2404		
		Over speed 125% - 2 min			
		kW:	0,25		
		Hz:	63		
		V:	400		
		A:	0,59		
		Rpm:	3400		

The motor is produced in accordance with following harmonized standards:

IEC60034-1, IEC60034-2, IEC60034-5, IEC60034-6, IEC60034-7, IEC60034-8, IEC60034-9

IEC60034-12, IEC60034-14, IEC60034-30-2, IEC60072.

Additional specifications in accordance with:

RINA - GL - LRS - BV - DNV - ABS - KR - RR - CCS - CCC - RMRS.

TECHNICAL DATASHEET

**Asynchronous Motor
4A 632-2**

Customer:	
Ref:	
Order:	
Motor:	
Serial nr:	
Date:	2024-04-23

Motor data

Rated output [kW]	0,25	Full load torque [Nm]	0,88
Rated speed [r/min]	2720	Tstart / Tn	2,3
Rated current [A]	0,65	Tmax / Tn	2,3
Istart / In	5,5	Moment of inertia [kgm ²]	0,0006

Test conditions

Voltage [V] at 100%	400	Frequenzy [Hz] at 100%	50
---------------------	-----	------------------------	----

Starting curves



Please note that the graphs shown above are the result of a computer simulation.

They are not and do not provide any sort of guarantee or certainty regarding the performance of any individual motor in a real life scenario.



TECHNICAL DATASHEET

**Asynchronous Motor
4A 632-2**

Customer:	
Ref:	
Order:	
Motor:	
Serial nr:	
Date:	2024-04-23

Motor data

Rated output [kW]	0,25	Power factor at P _n [Cos φ]	0,81
Rated speed [r/min]	2720	Efficiency at P _n	69
Rated current [A]	0,65		
I _{start} / I _n	5,5		

Test conditions

Voltage [V] at 100%	400	Frequenzy [Hz] at 100%	50
---------------------	-----	------------------------	----

Load curves



Please note that the graphs shown above are the result of a computer simulation. They are not and do not provide any sort of guarantee or certainty regarding the performance of any individual motor in a real life scenario.

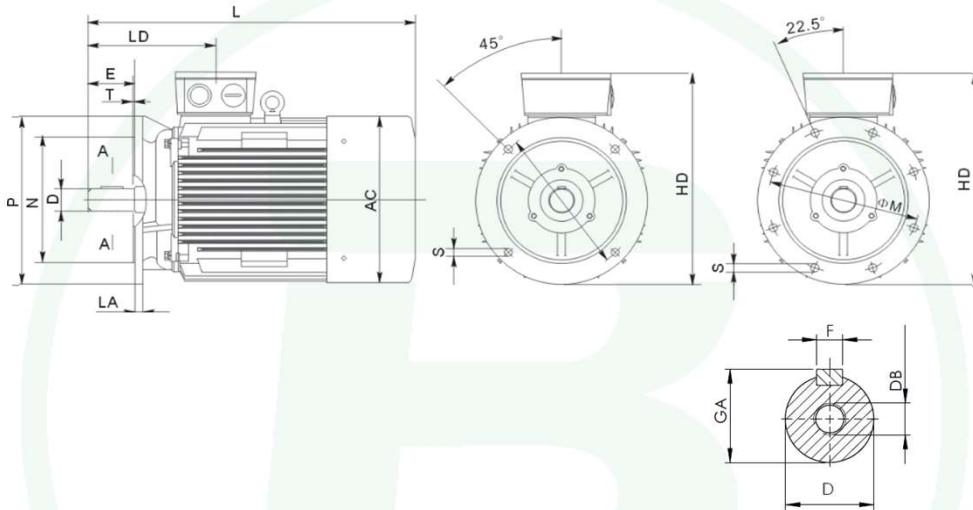


TECHNICAL DATASHEET

**Asynchronous Motor
4A 632-2**

Customer:	
Ref:	
Order:	
Motor:	
Serial nr:	
Date:	2024-04-23

Flange mounted motor 4A 632-2 B5



Unit: mm

M:	115	HD:	174	E:	23
N:	95	L:	225	D:	11
P:	140	LD:		GA:	12,5
S:	10			DB:	M4
				F:	4