

1" VALVES



COUPLING CONNECTION AE1825R With Pilot group

The classic 90° valves with coupling connection for smooth pipes



PRODUCT CERTIFICATIONS

STANDARD



OPZIONALI



VALVE TECHNICAL FEATURES

Features	Values
Out	Hole 1"
In	Hole 1"
Working Pressure	1,5-8 bar
Standard Temperature Range	-40 °C ; +100 °C
High Range Temperature	-20 °C ; +200 °C
Kv	24 m ³ /h
Weight	1 kg
Protection Level	IP65

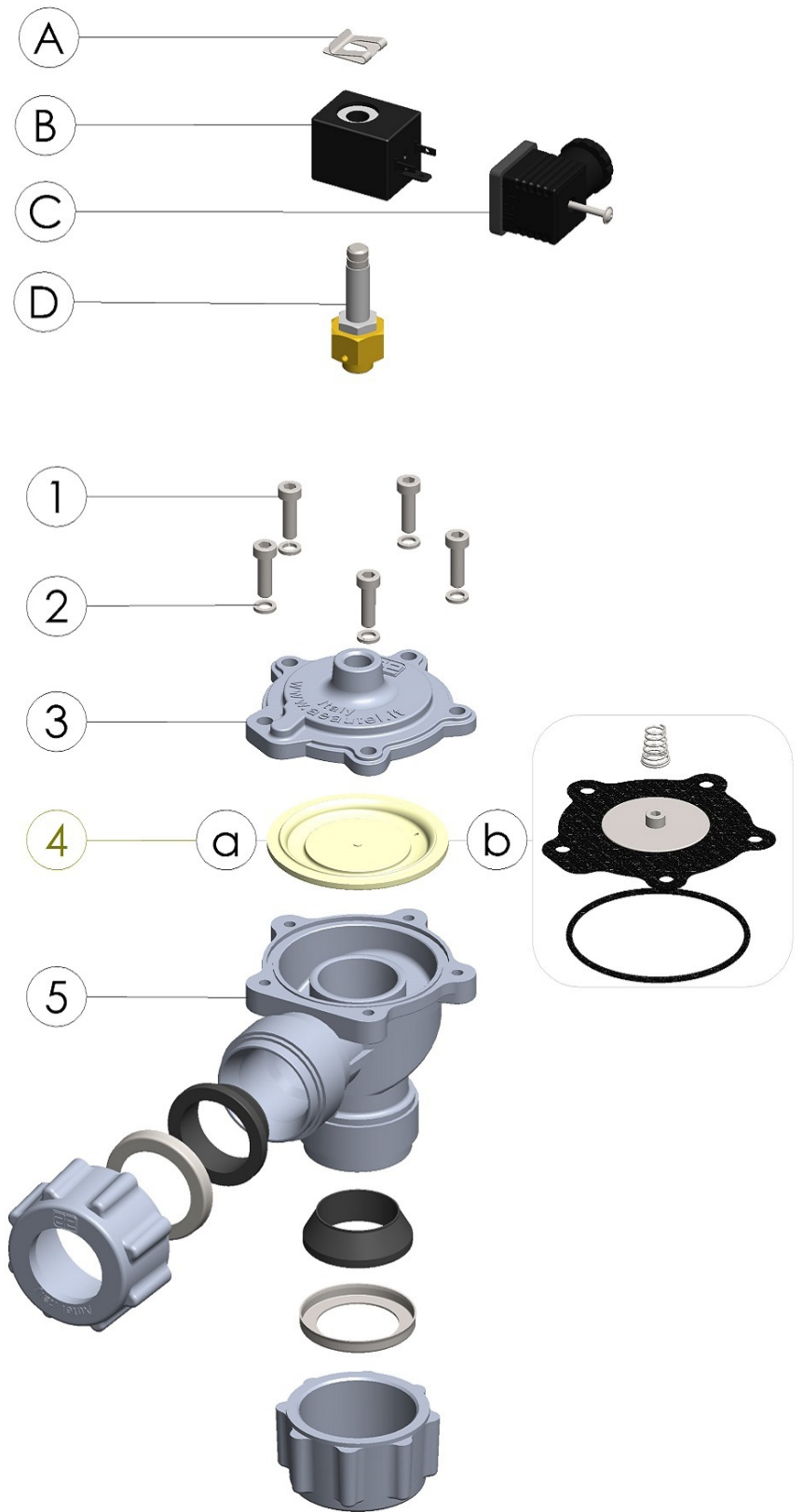
VALVE TECHNICAL FEATURES

Features		Values
Air quality classes (ISO 8573-1)	For Solid	2
	For Water with $T > +3^{\circ}\text{C}$	4
	For Water with $-20^{\circ}\text{C} < T < +3^{\circ}\text{C}$	3
	For Water with $-40^{\circ}\text{C} < T < -20^{\circ}\text{C}$	2
	For Oil	1

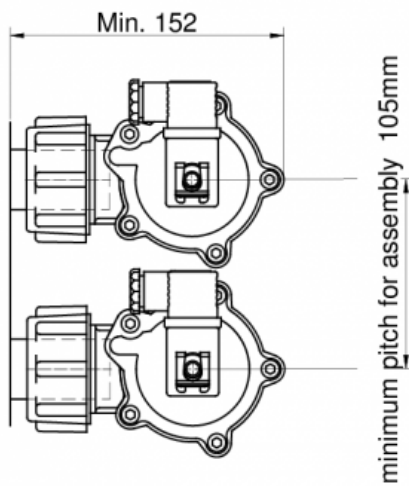
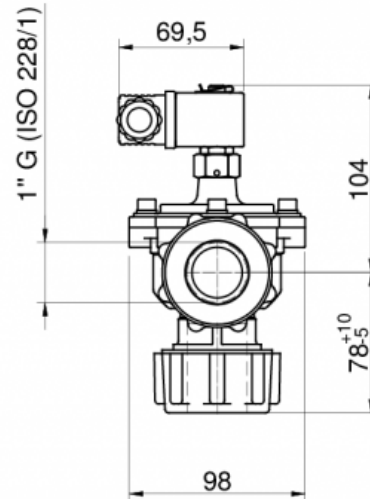
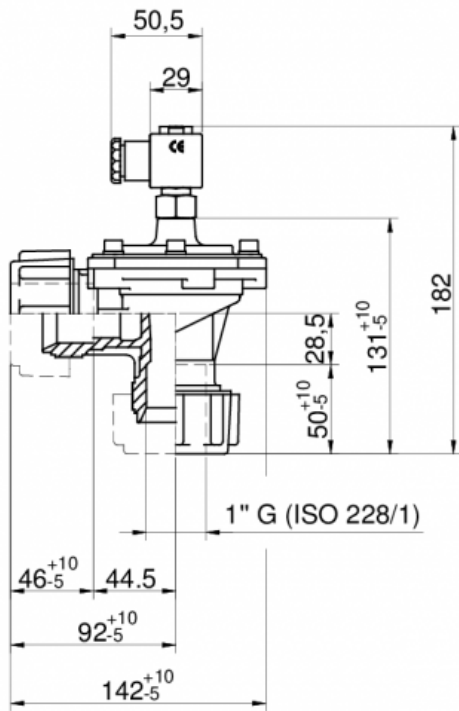
PARTS LIST

No.	Description	Material
A	Clip	Carbon Steel Galvanized
B	Coil	PA
C	Connector	PA + NBR
D	Pilot	SS + Brass
1	Screw M6	SS
2	Washer	SS
3	Cover 1"	Die Cast Alu
4a	STD Diaphragm 1"	TPE
4b	HT Diaphragm 1" Kit	VITON+PTFE
5	Body 1" Screw	Die Cast Alu

Immagine



DIMENSIONAL LAYOUT



CONSUMPTION GRAPHS

