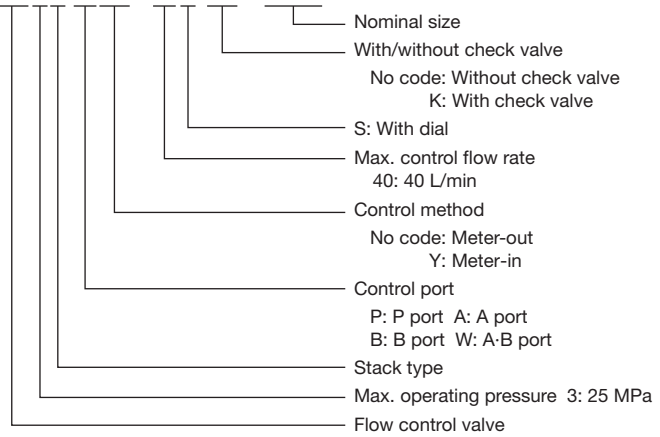


THROTTLE VALVE WITH FLOW ADJUSTING DIAL (HF3H)SIZE 025



Description of the model designation

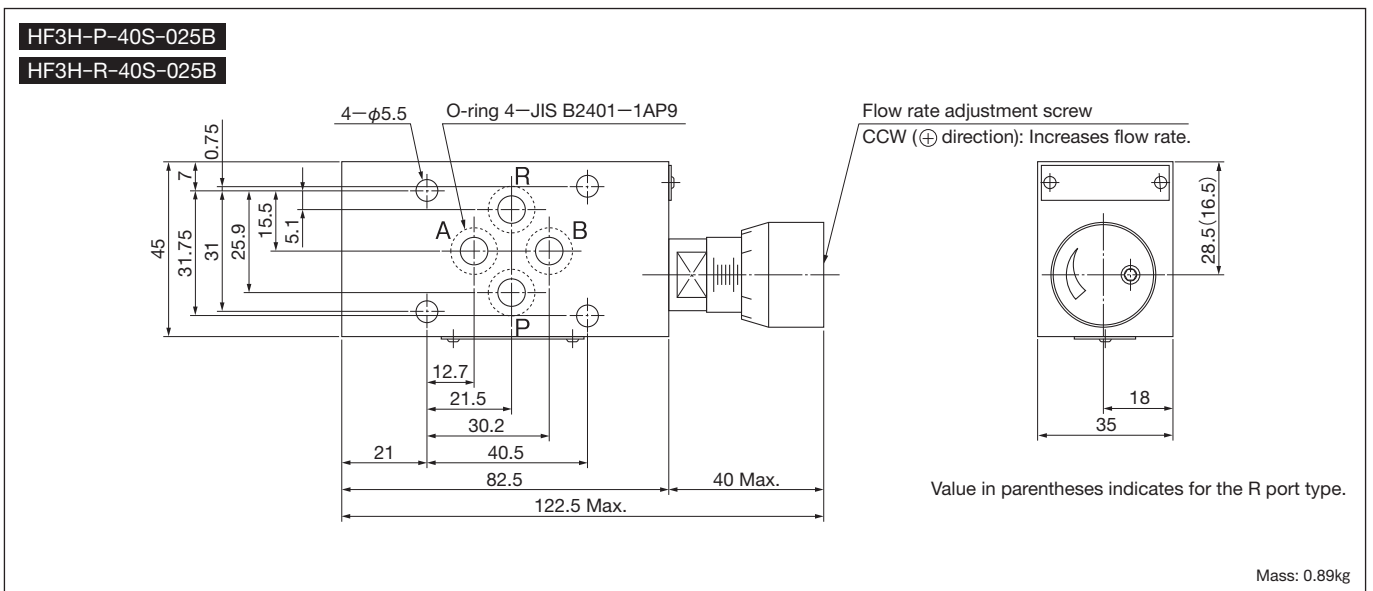
HF3H-*(Y)-40S(K)-025B



Specifications

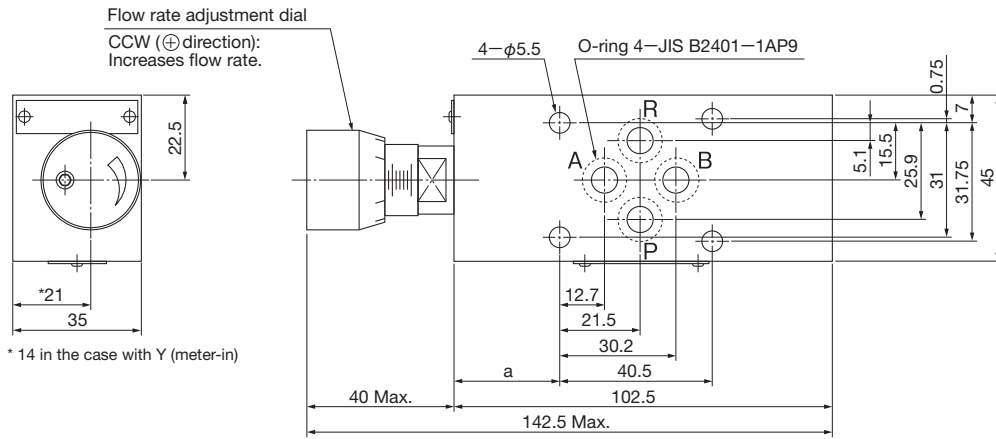
Control port	Type	Model	Max. operating pressure (MPa)	Flow rate adjustment range (L/min)	Check valve cracking pressure (MPa)	Symbol
P	—	HF3H-P-40S-025B	25	0.5 to 40	0.04	
R		HF3H-R-40S-025B				
A	Meter-out	HF3H-A-40SK-025B				
	Meter-in	HF3H-AY-40SK-025B				
B	Meter-out	HF3H-B-40SK-025B				
	Meter-in	HF3H-BY-40SK-025B				
A·B	Meter-out	HF3H-W-40SK-025B				
	Meter-in	HF3H-WY-40SK-025B				

Outside dimensions



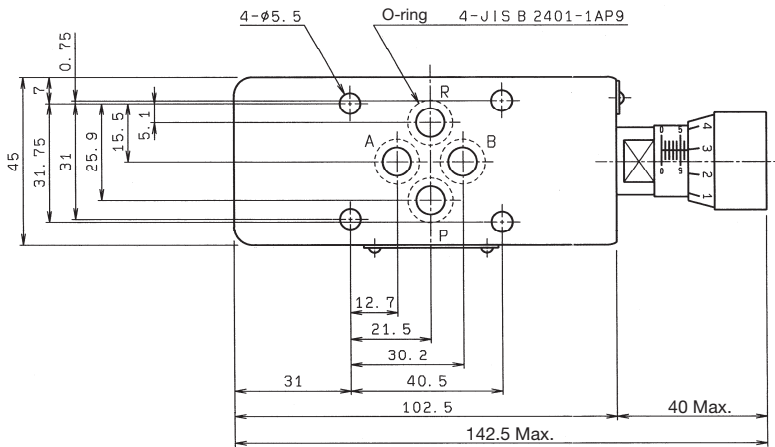
■ Outside dimensions

HF3H-A (Y) -40SK-025B



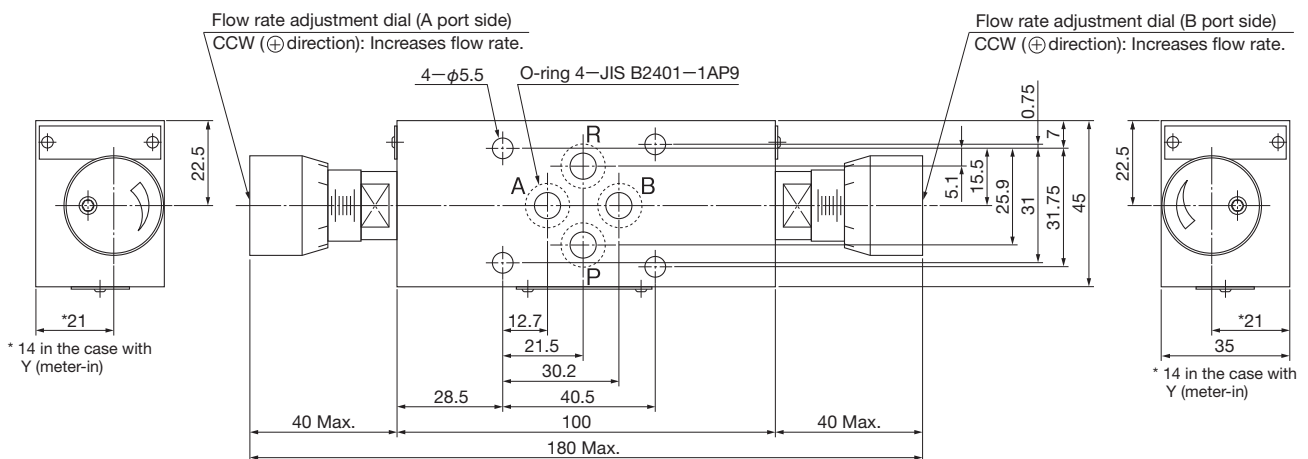
Mass: 1.0kg

HF3H-B (Y) -40SK-025B



Mass: 1.03kg

HF3H-W (Y) -40SK-025B



Mass: 1.1kg