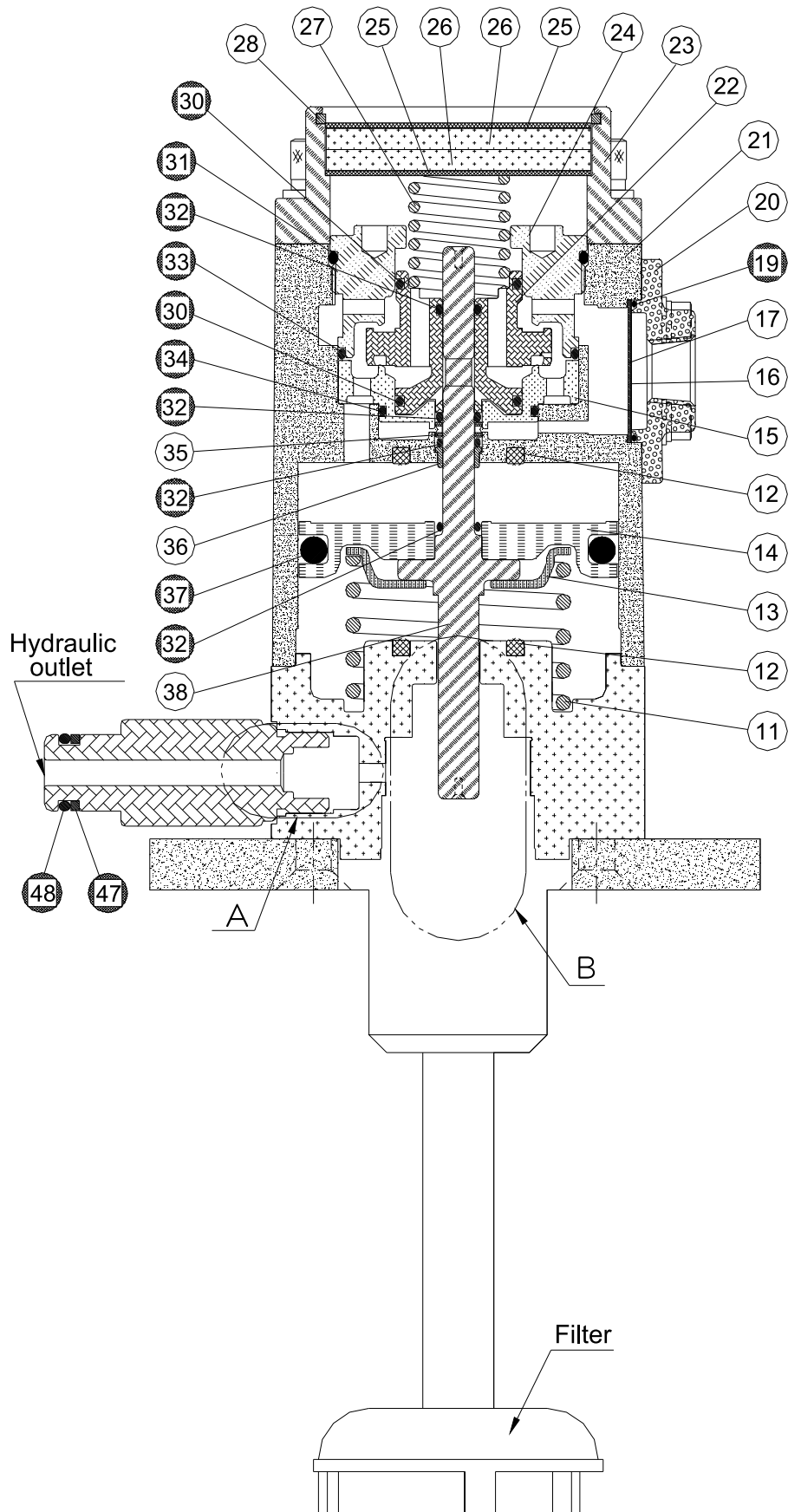
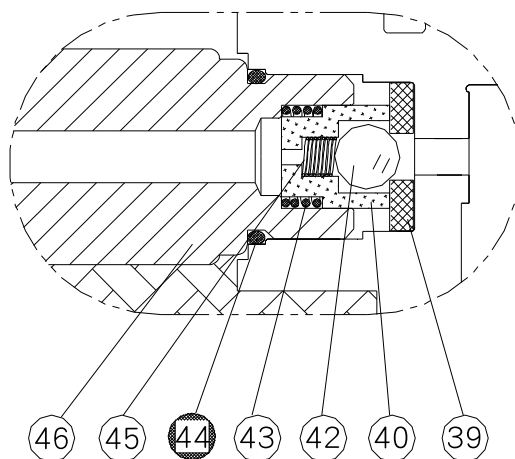


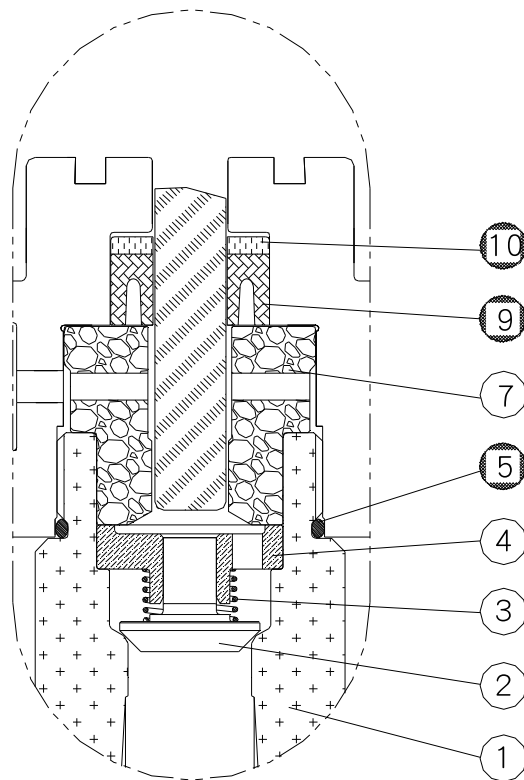
# AIR DRIVE HYDRAULIC PUMP (Model:PB) ASSEMBLY DIAGRAM



# AIR DRIVE HYDRAULIC PUMP (Model:PB) ASSEMBLY DIAGRAM



A

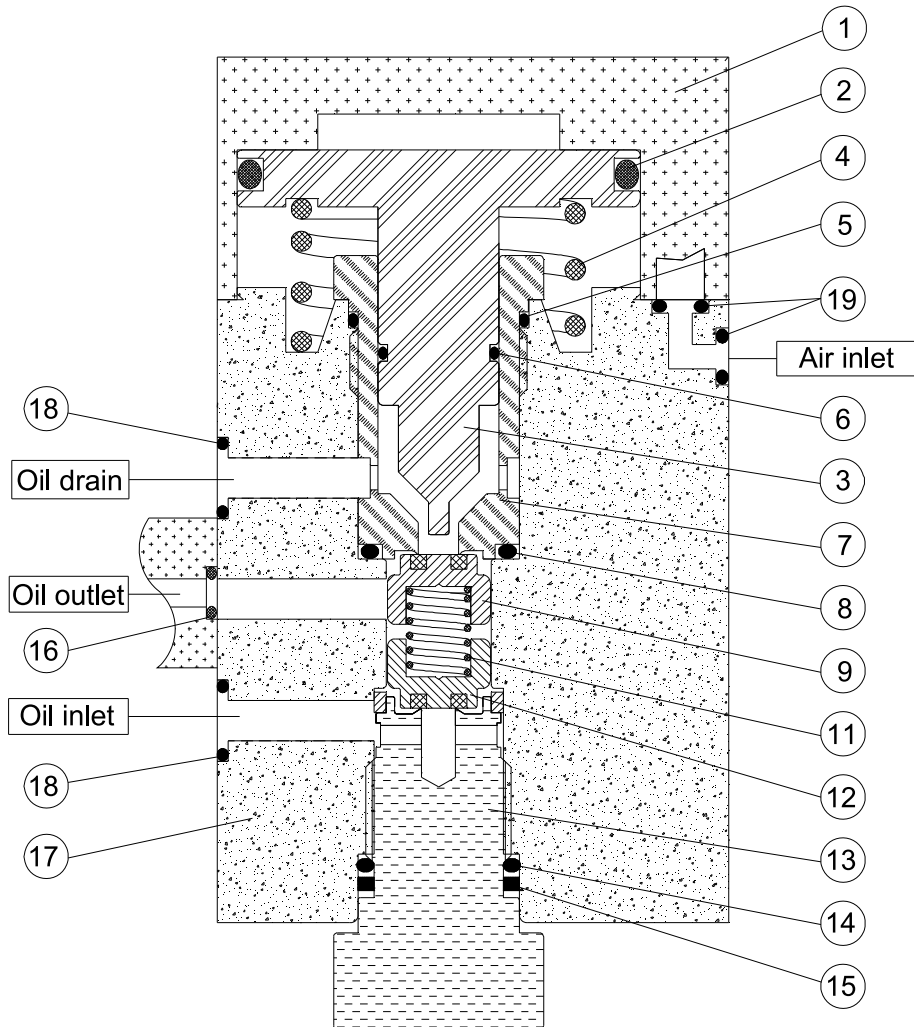


B

## AIR DRIVE HYDRAULIC PUMP (Model:PB08) PART LIST

No	Part name	Specification	Qty	No	Part name	Specification	Qty
1	Inlet base	01-5102	1	27	Spring	62-2600	1
2	Inlet valve	62-5300	1	28	Check ring	R-52	1
3	Spring	62-5400	1	30	O-ring	ARP-568-020	2
4	Inlet valve base	62-5500	1	31	O-ring	ARP-568-032	1
5	O-ring	ARP-568-023	1	32	O-ring	ARP-568-010	4
7	Spool bush	62-5608	1	33	O-ring	ARP-568-031	1
8	Hydraulic body	01-5008	1	34	O-ring	ARP-568-024	1
9	Oil seal	UN-8	1	35	Bush-(2)	61-2200	1
10	Back-up ring	TF-8-18-2	1	36	Bush-(1)	61-2100	1
11	Spring	62-4400	1	37	O-ring	AP-53	1
12	Buffer pad	61-5700	2	38	Spool	62-4208	1
13	Spring base	62-4300	1	39	Check pad	61-6200	1
14	Piston	62-4100	1	40	Spring base	01-2300	1
15	Pilot base	62-2300	1	42	Steel ball	∅ 6.3mm	1
16	Filter	61-3200	1	43	Spring	01-2400	1
17	Filter plate	61-3300	1	44	O-ring	ARP-568-015	1
19	O-ring	ARP-568-022	1	45	Spring	01-2500	1
20	Air Supply base	61-3100	1	46	Outlet base	01-5201	1
21	Cylinder body	62-2001	1	47	Back-up ring	TP-11	1
22	Exchange valve	62-2400	1	48	O-ring	BP-11	1
23	Cover	62-2500	1				
24	Exhaust base	62-2900	1				
25	Silencer plate	62-2700	2				
26	Silencer	62-2800	2				

## NON-LEAK VALVE (Model : SV-04) ASSEMBLY DIAGRAM



No	Part name	Specification	No	Part name	Specification
1	Upper cover	13-0201	11	Spring	13-4300
2	O-ring	AP-44	12	Check valve	13-4200
3	Piston	13-0300	13	Oil inlet base	13-4100
4	Spring	13-0500	14	O-ring	BP-16
5	O-ring	SM-20	15	Back-up ring	TP-16
6	O-ring	SM-12	16	O-ring	BP-12
7	Bush	13-4000	17	Valve body	13-0101
8	O-ring	BP-16	18	O-ring	BP-7
9	Check valve	13-4200	19	O-ring	P-4