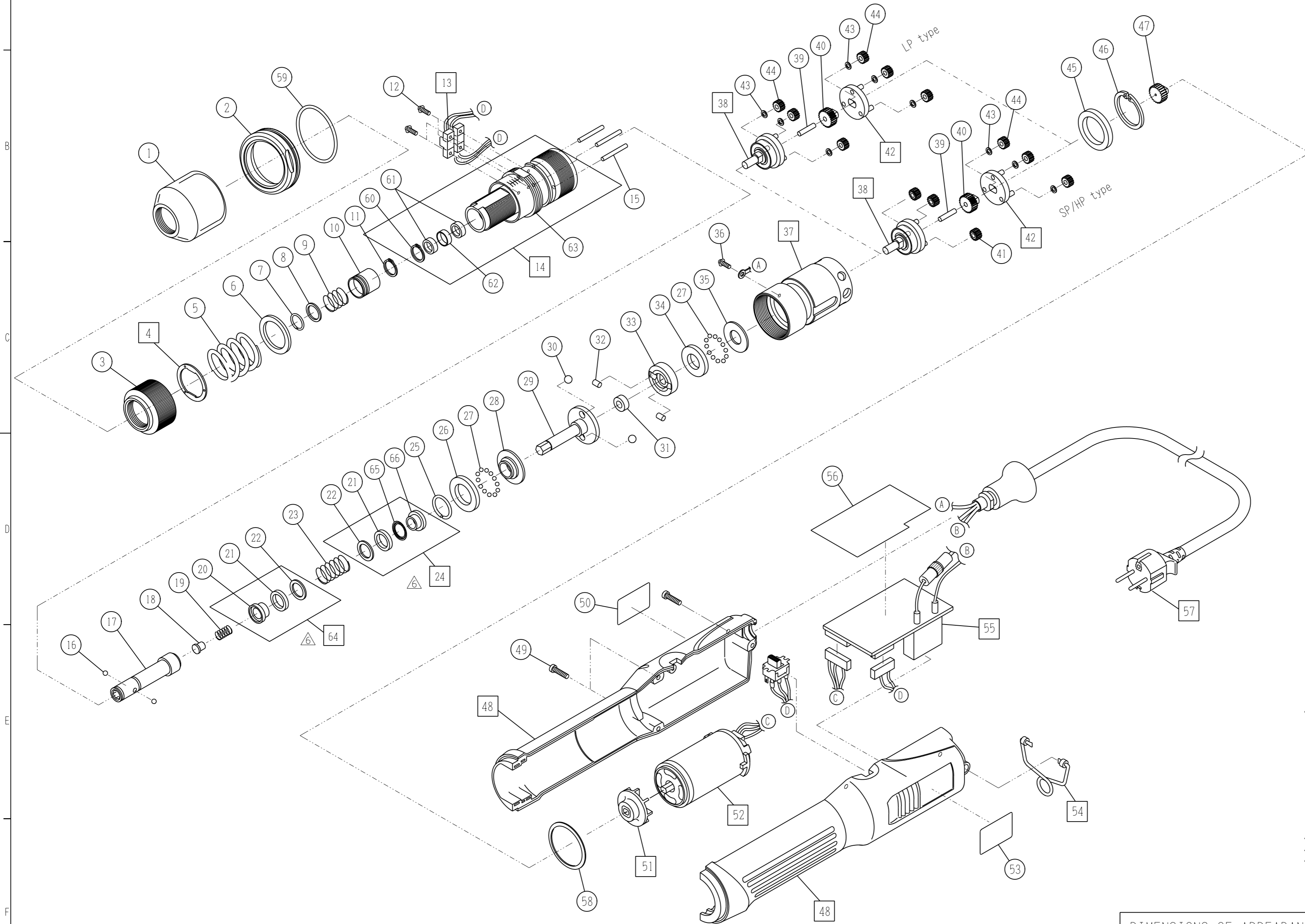


delvo

ELECTRIC SCREWDRIVER

- DLV30LP-MJG
- DLV30LP-MKG
- DLV30SP-MJG
- DLV30SP-MKG
- DLV30HP-MJG
- DLV30HP-MKG



No.	Parts Name	Parts No.	Q'ty
1	Torque Adjustment Ring Cover	TV05143	1
2	Metalic Coupling	TV05637	1
3	Torque Adjustment Ring	TV04534	1
4	Spring Plate Assembly	T004385	1
5	Clutch Spring (High Torque Spring)	TV04593	1
	Clutch Spring (Low Torque Spring: Accessories)	TV05146	1
6	Plate	TV05123	1
7	Stop Ring	TV00149	1
8	Holder Collar	TV05124	1
9	Holder Spring	TV00356	1
10	Holder Clamp	TV05126	1
11	Stop Ring	LP10494	1
12	Screw M2, 6x8L	TV04553	4
13	Sensor Assembly	T005198	1
14	Clutch Case Assembly	T005195	1
15	Roller Pin Dia.2, 5x21, 8L	TV04543	3
16	Steel Ball Dia.3 (MJG type)	TP15767	2
	Steel Ball Dia.2, 381 (MKG type)	CP20000	2
17	Bit Holder (MJG type)	TV05127	1
	Bit Holder (MKG type)	TV05165	1
18	Stopper	TV05256	1
19	Push Spring	TV05255	1
20	Magnet Plate F	TV04659	1
21	Magnet	TV04546	△2
22	Spacer	TV04545	△2
23	Spring	TV04665	1
24	Brake Magnet Assembly	T005403	1
25	Stop Ring	TV04428	1
26	Thrust Plate F	TV04662	1
27	Steel Ball Dia.2	TV00121	55
28	Cam Ring	TV04661	1
29	Cam Guide	TV05145	1
30	Steel Ball Dia.5	TP15428	2
31	Spacer	TV04751	1
32	Roller Pin Dia.3, 5x5L	TV04538	2
33	Cam	TV04433	1
34	Thrust Plate (SP/HP type)	TV04434	1
	Thrust Plate F (LP type)	TV05558	1
35	Washer (SP/HP type)	TV04540	1
	Thrust Plate R (LP type)	TV05559	1
36	Screw M2, 6x4L	TV00438	1
37	Gear Case Assembly (SP type)	T005043	1
	Gear Case Assembly (HP/LP type)	T005075	1
38	Gear Base A Assembly (LP type)	T004386	1
	Gear Base A Assembly (SP type)	T005070	1
	Gear Base A Assembly (HP type)	T005071	1
39	Roller Pin Dia.3x13, 8L	TV04592	1
40	Spindle Gear 11 (LP type)	TV04292	1
	Spindle Gear 19 (SP type)	TV05125	1
	Spindle Gear 23 (HP type)	TV05258	1
41	Idle Gear 14 (SP type)	TV05171	3
	Idle Gear 13 (HP type)	TV05259	3
42	Gear Base B Assembly (LP type)	T004135	1
	Gear Base B Assembly (SP type)	T005110	1
	Gear Base B Assembly (HP type)	T005111	1
43	Spacer (SP/HP type)	TV00147	3
	Spacer (LP type)	TV00147	6
44	Idle Gear A (LP type)	TV00411	6
	Idle Gear 17 (SP type)	TV05172	3
	Idle Gear 13 (HP type)	TV05257	3
45	Washer	TV04289	1
46	Stop Ring	TV00140	1
47	Motor Gear 11 (LP type)	TV05560	1
	Motor Gear 13 (SP type)	TV05132	1
	Motor Gear 23 (HP type)	TV05260	1
48	Frame Handle Assembly	T005040	1
49	Screw M3x12L	TV02746	3
50	Name Plate		1
51	Fan Assembly	T005039	1
52	Motor Assembly	T005013	1
53	Rating Plate		1
54	Suspension Bail	T000585	1
55	Control Base Assembly	T007418	1
56	Insulated Film	TV05326	1
57	Power Cord Assembly	T005510	1
58	Washer	TV04670	1
59	Rubber Ring (SP type)	TV05638	1
	Rubber Ring (HP type)	TV05639	1
	Rubber Ring (LP type)	TV05640	1
60	Stop Ring	TV05254	1
61	Needle Bearing	TV06101	2
62	Collar	TV05253	1
63	Clutch Case	TV05252	1
64	Magnet Plate F ASSY	T007347	1
65	Magnet Spacer	TV06586	1
66	Magnet Plate R	TV04660	1

管理 No. _____
 図書 No. _____

rev. 7 2012. 4. 10
 rev. 6 2012. 1. 25



DIMENSIONS OF APPEARANCES			TITLE		DRAWING No.	
			APPROVED	CHECKED	PARTS LIST	
			佐野	加藤	DELVO	
			横山	MODEL NAME		DRAWN
			ISSUED (yyyy/mm/dd)		MODEL No. DLV30LP-MJG/MKG	
			2007 / 3 / 19		DLV30SP-MJG/MKG	
					DLV30HP-MJG/MKG	
			NITTO KOHKI CO., LTD.			