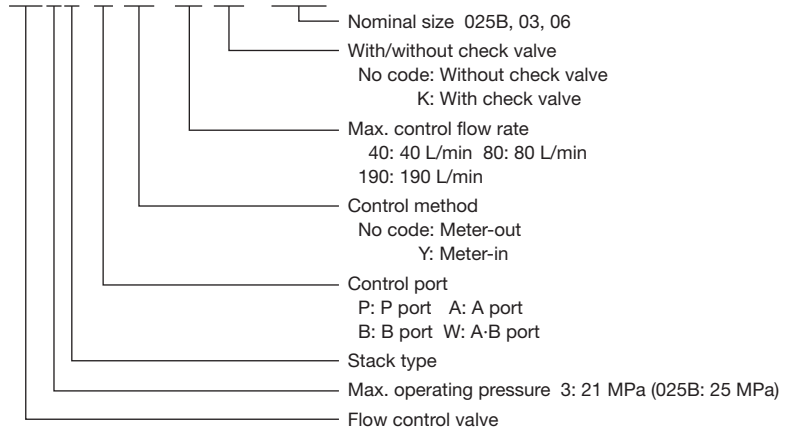


■Description of the model designation

HF3H-A (Y)-40 (K)-025B



■Specifications

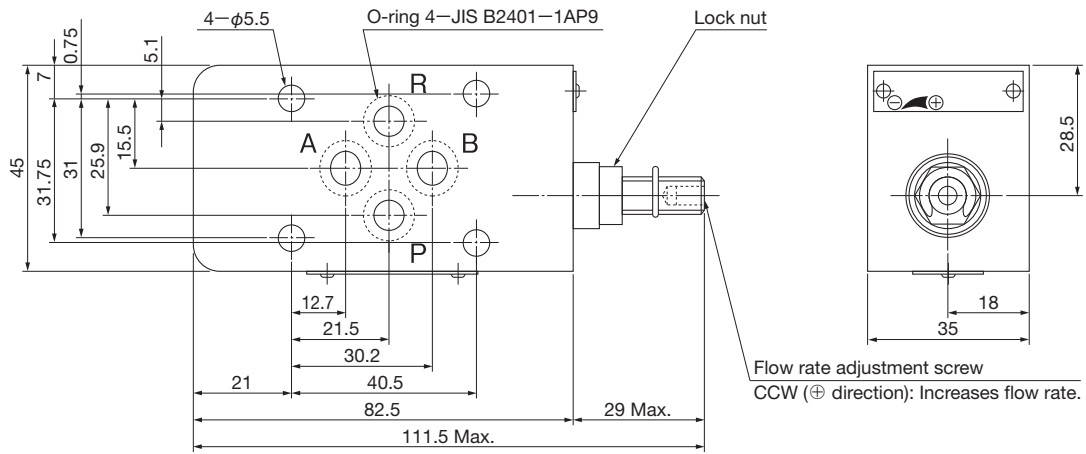
Control port	Type	Model	Max. operating pressure (MPa)	Flow rate adjustment range (L/min)	Check valve cracking pressure (MPa)	Symbol	
P	—	HF3H-P-40-025B	25	0.5 to 40	—		
		HF3H-P-80-03	21	0.5 to 80		—	
		HF3H-P-190-06		1.0 to 190			
R	—	HF3H-R-40-025B	25	0.5 to 40	0.04		
A	Meter-out	HF3H-A-40K-025B	25	0.5 to 40	0.04		
		HF3H-A-80K-03	21	0.5 to 80			
		HF3H-A-190K-06		1.0 to 190			
	Meter-in	HF3H-AY-40K-025B	25	0.5 to 40			
		HF3H-AY-80K-03	21	0.5 to 80			
		HF3H-AY-190K-06		1.0 to 190			

■ Specifications

Control port	Type	Model	Max. operating pressure (MPa)	Flow rate adjustment range (L/min)	Check valve cracking pressure (MPa)	Symbol	
B	Meter-out	HF3H-B-40K-025B	25	0.5 to 40	0.04		
		HF3H-B-80K-03	21	0.5 to 80			
		HF3H-B-190K-06		1.0 to 190			
	Meter-in	HF3H-BY-40K-025B	25	0.5 to 40			
		HF3H-BY-80K-03	21	0.5 to 80			
		HF3H-BY-190K-06		1.0 to 190			
A·B	Meter-out	HF3H-W-40K-025B	25	0.5 to 40	0.04		
		HF3H-W-80K-03	21	0.5 to 80			
		HF3H-W-190K-06		1.0 to 190			
	Meter-in	HF3H-WY-40K-025B	25	0.5 to 40			
		HF3H-WY-80K-03	21	0.5 to 80			
		HF3H-WY-190K-06		1.0 to 190			

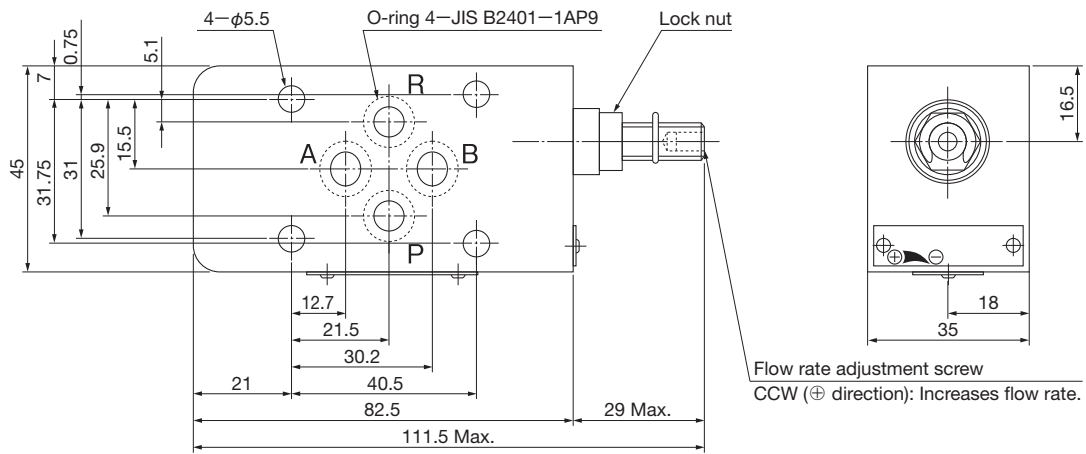
■ Outside dimensions

HF3H-P-40-025B



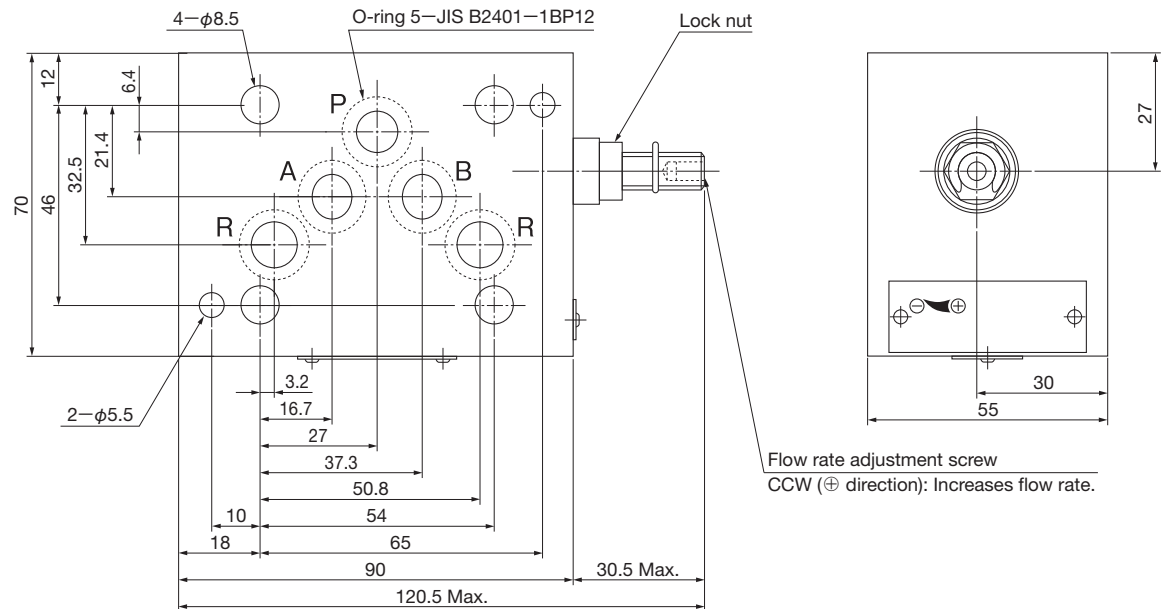
Mass: 0.9kg

HF3H-R-40-025B



Mass: 0.9kg

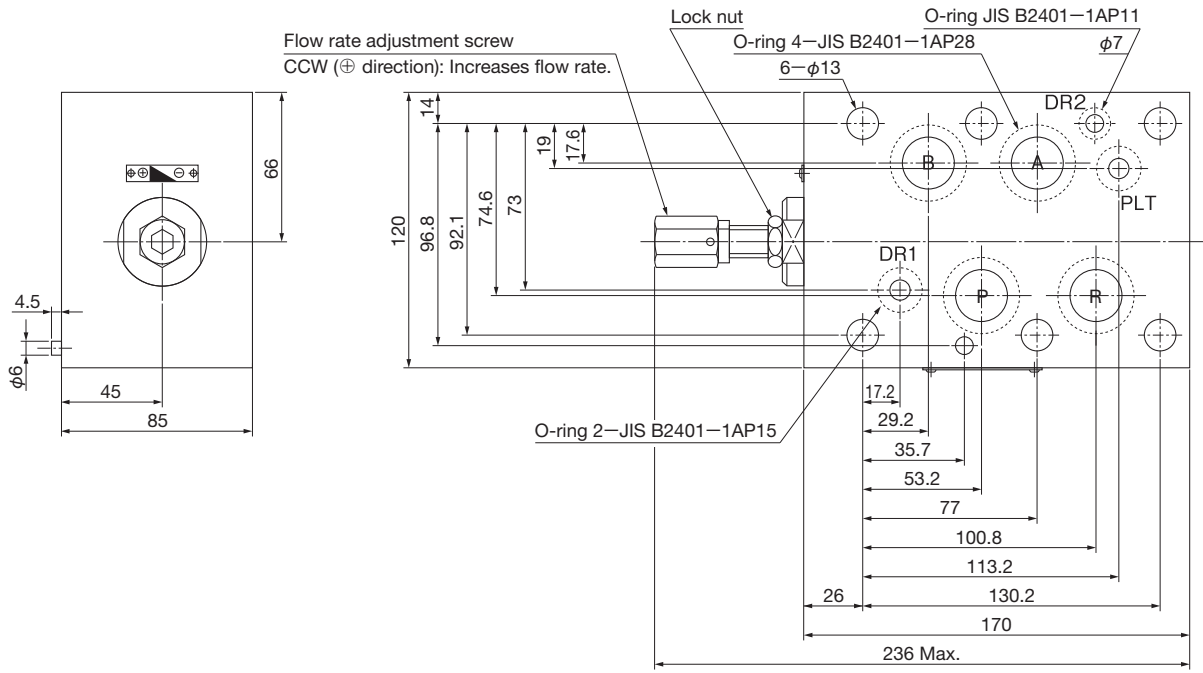
HF3H-P-80-03



Mass: 2.0kg

■ Outside dimensions

HF3H-P-190-06



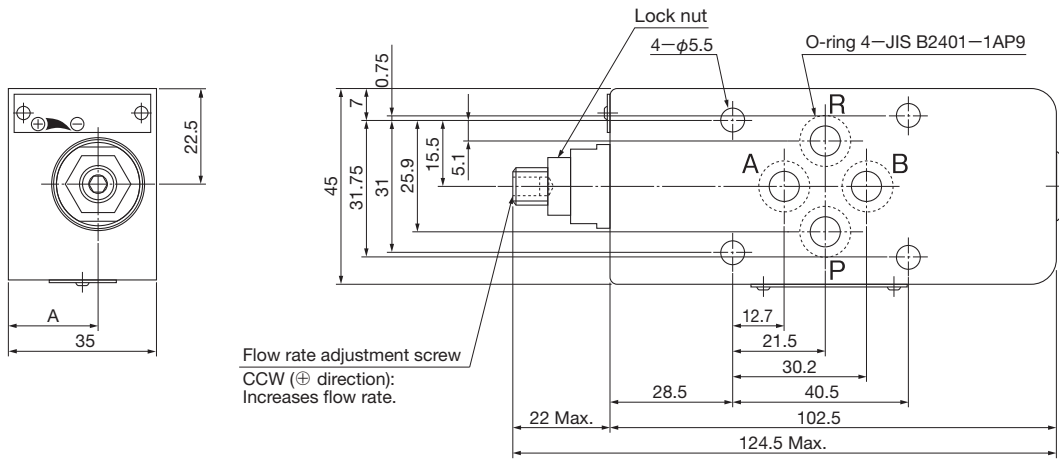
Mass: 10.5kg



HY-TEGRA SYSTEM

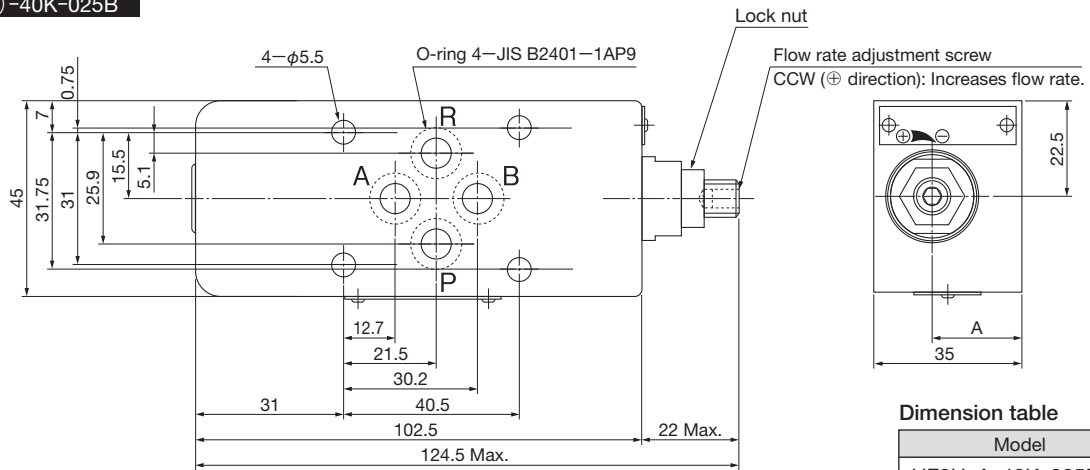
Outside dimensions

HF3H-A (Y) -40K-025B



Mass: 1.0kg

HF3H-B (Y) -40K-025B



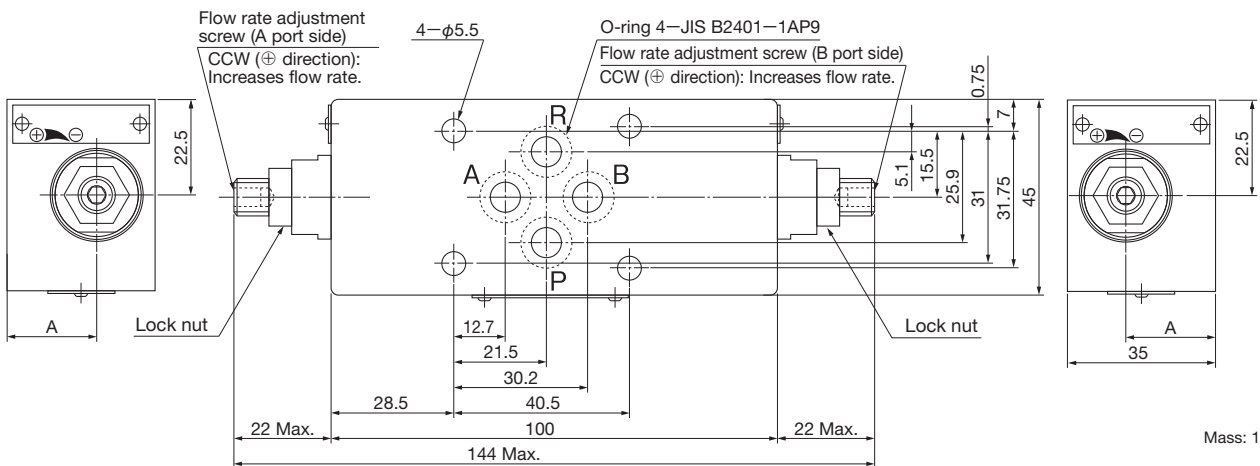
Mass: 1.0kg

Dimension table

Unit: mm

Model	Dimension A
HF3H-A-40K-025B	21
HF3H-AY-40K-025B	14
HF3H-B-40K-025B	21
HF3H-BY-40K-025B	14

HF3H-W (Y) -40K-025B



Mass: 1.08kg

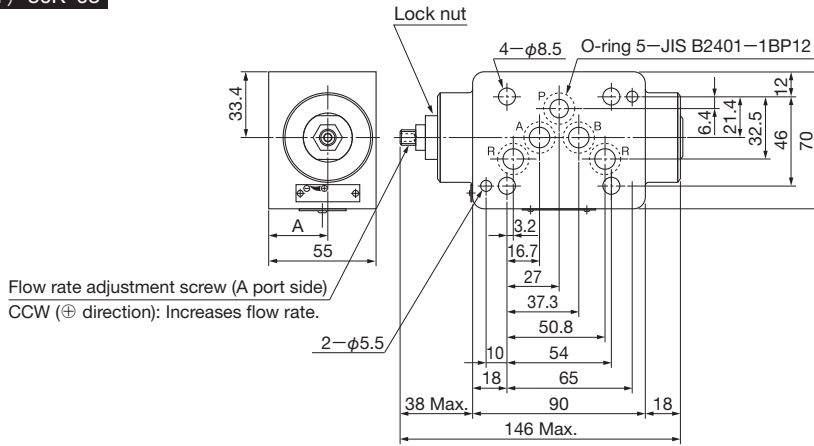
Dimension table

Unit: mm

Model	Dimension A
HF3H-W-40K-025B	21
HF3H-WY-40K-025B	14

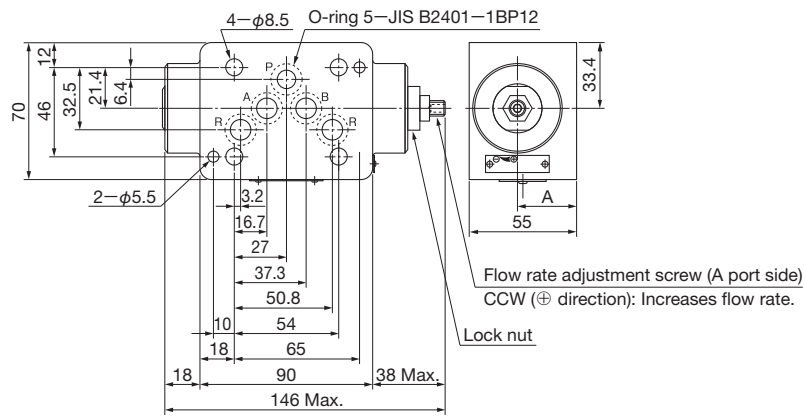
■ Outside dimensions

HF3H-A (Y) -80K-03



Mass: 2.1kg

HF3H-B (Y) -80K-03



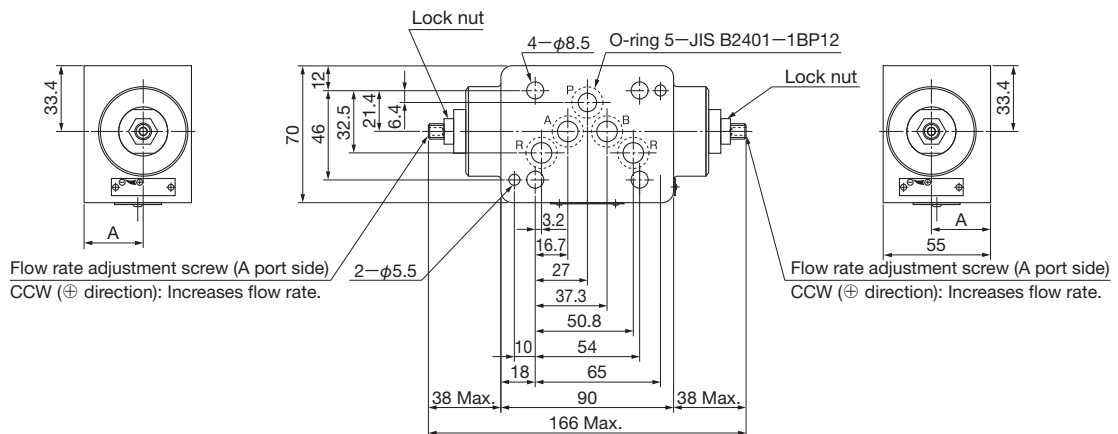
Mass: 2.1kg

Dimension table

Unit: mm

Model	Dimension A
HF3H-A-80K-03	30
HF3H-AY-80K-03	25
HF3H-B-80K-03	30
HF3H-BY-80K-03	25

HF3H-W (Y) -80K-03



Mass: 2.1kg

Dimension table

Unit: mm

Model	Dimension A
HF3H-W-80K-03	30
HF3H-WY-80K-03	25

■ Outside dimensions

HF3H-*(Y)-190K-06

