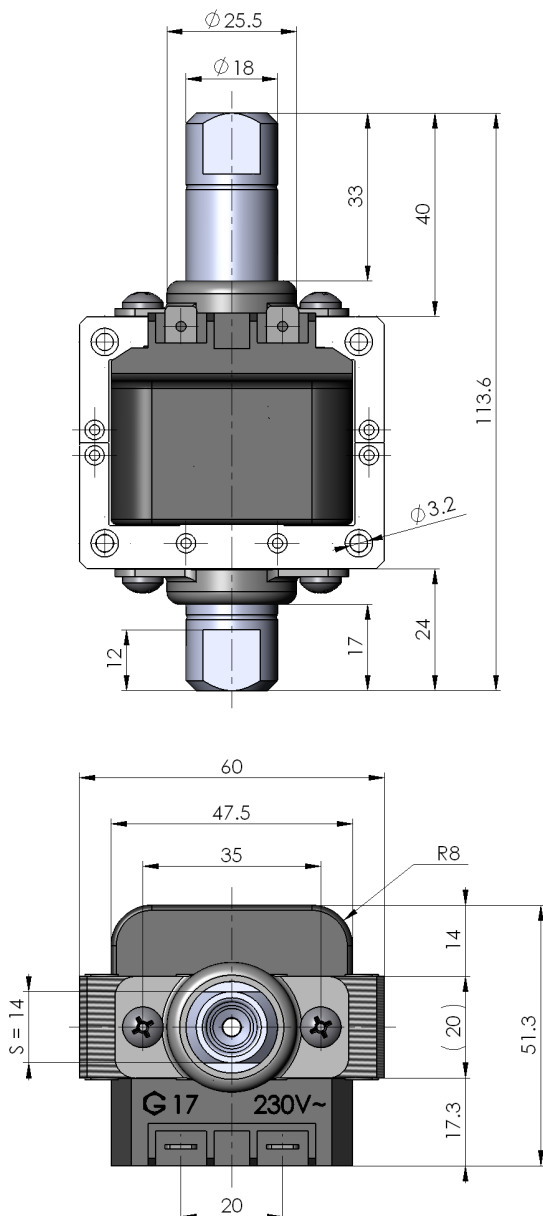
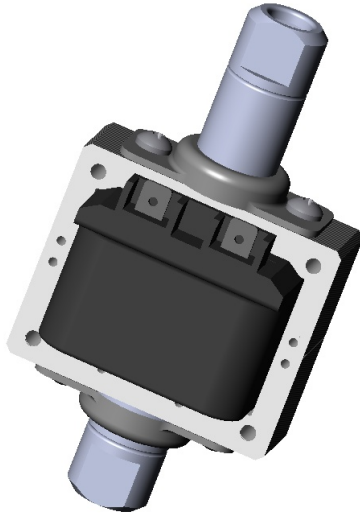


Electromagnetic pump

ETG 100

Technical data



Application fields :

- Household equipment
- Laboratory devices
- Cleaning equipment
- Printing systems
- Lubrication

Coffee machines, injection or pulverization, our type ETG 100 will always give you the right pressure !

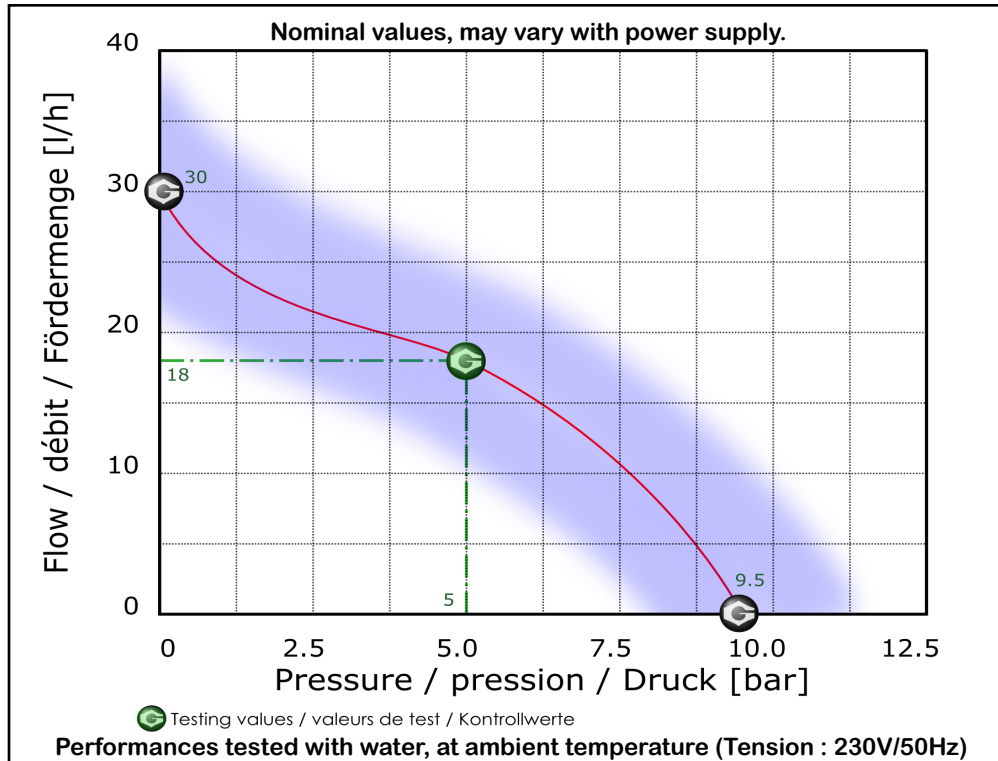
On the picture the standard ETG 100 model with stainless steel nozzles and internal G1/8" threading.

Nominal rated data :

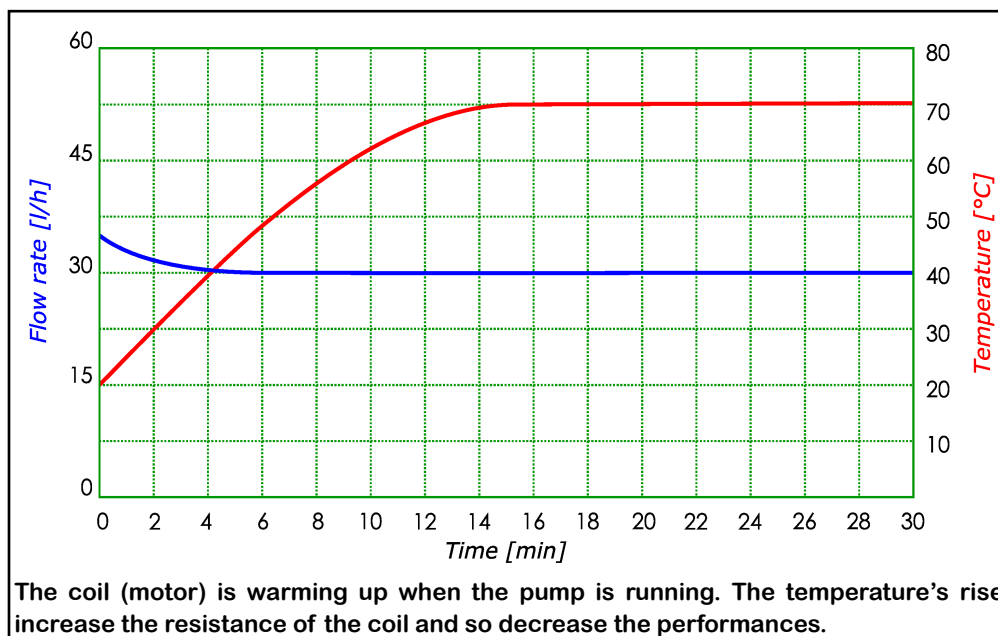
Maximum pressure	: 9.5 [bar]
Maximum flow rate	: 30 [l/h]
Maximum suction height	: 2 [m]
Viscosity range	: 1...600 [mm ² /s]
Filter	: Mesh 100
Tension	: 230 [V]~ (110 [V], 24 [V])
Frequency	: 50 [Hz], (60 [Hz])
Electrical connection	: 2 x 6.3 [mm] x 0.8 [mm]
Power	: 45 [W]
Weight	: ~560 [g]
Temperature	: 1 [°C]...50 [°C]
Insulation	: Class F-100% ED / 20 [°C] (Class H on request) Class I (class II on request)
Noise level (1m)	: Open flow = ~63 [dB(A)], Max. pressure = ~50 [dB(A)]
Approvals	: EC conform to EN60335-1 (ED.4), CB cert. Nr. CH-4364, (UL on request)
EMC	: Conform to 2004/108/EC
RoHS	: Conform to 2002/95/EC



Performances :



Heating & flow :



Additional information :

Materials in contact with the liquid :

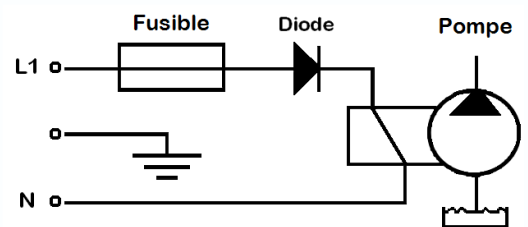
Connectors : 1.4305
 Piston : 1.4057 + Cr
 Springs : 1.4401
 Valves tips : NBR
 O-ring : NBR

Large choice of materials & options



Electric wiring diagram :

Fuse and diode are necessary



Note :

Please, refer to instruction manual for more installation details. For more information, visit our website

www.gotecpumps.com