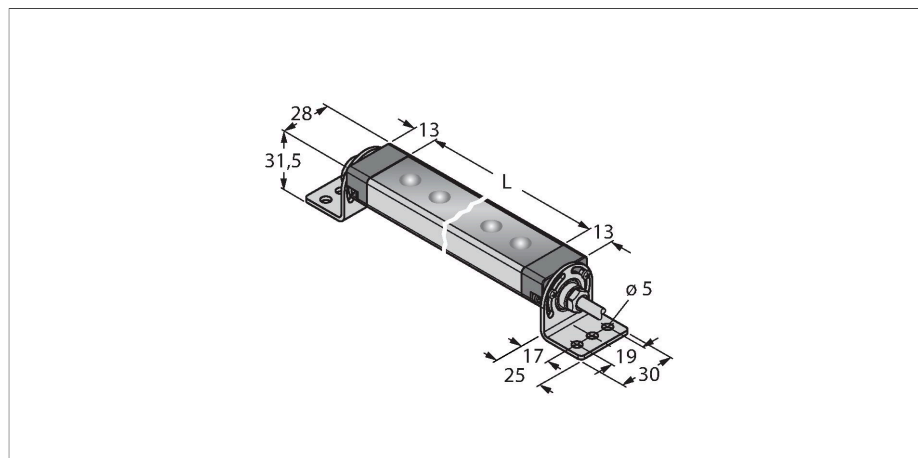


# WLS28-2CW285DS

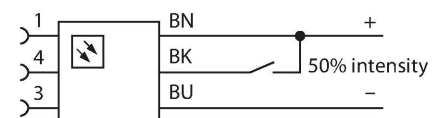
## Work Light – Linear Light



### Features

- Cascadable
- Light beam: 285mm
- Operating voltage: 12...30 VDC
- Protection class: IP67 / IP69K
- Color: White
- Cable, PVC, 2 m
- SMBWLS28RA mounting bracket included in delivery

### Wiring diagram



### Technical data

Type	WLS28-2CW285DS
ID	3087859
<b>Signal and display data</b>	
Purpose	LED work light
Function	Linear light
Light type	White
Color temperature	6100...+7000 K
Luminous flux lumen	650 lm
Aperture angle degree	60 °
Beam angle	wide beam 40-80°
LED service life (L70)	50000 h
Dimmable	Two-stage
Features of color 1	White, Permanently on, 600 lm
Special features	Wash down
<b>Electrical data</b>	
Operating voltage	12...30 VDC
DC rated operational current	≤ 660 mA
Input power	7.92 W
<b>Mechanical data</b>	
Cascadable	Yes
Design	Rectangular, WLS28-2
Dimensions	331.5 x 28 x 20.9 mm
Housing material	Metal, AL
Window material	Polycarbonate, diffuse
Electrical connection	Cable, 2 m, PVC
Number of cores	3

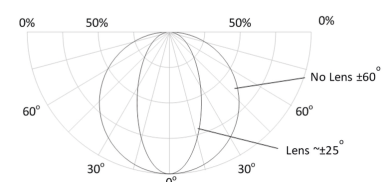
### Functional principle

The low-energy LED work lights are ideally suited for industrial applications. The color temperature is between 6,000 and 7,100 Kelvin (cool white). Depending on the model, the luminous flux is 325 or 2600 lumen. Some work lights are switched on/off via supply power (10...30 VDC) and some types by means of a button directly at the LED lamp. In addition, the LED can be dimmed to 50% of its light output by activating a high signal on PIN 4, or for the variants with a switch, by means of a further switch position. On some models the light output is continuously dimmable via a PWM signal on pin 4. Cascadable variants are also available. Variants with a clear or diffuse plastic windows, as well as with an aperture angle of 25°.

#### Application note:

Cascading with 12 V supply allows total light length of 1.4 m. Cascading with 24 V supply allows total light length of 3.0 m. Cascading with 30 V supply allows total light length of 3.1 m.

At 50% light intensity, the length specifications should be doubled.

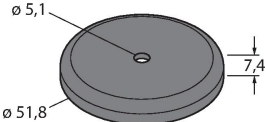


## Technical data

Ambient temperature	-40...+70 °C
Storage temperature	-40...+70 °C
Relative humidity	0...90 %
Protection class	IP65 IP67 IP69
<b>Tests/approvals</b>	
Approvals	CE, UL

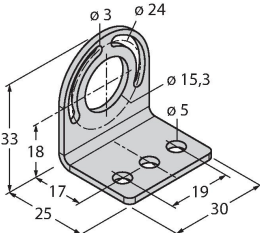
## Accessories

**SMBWLSMAG** 3019574



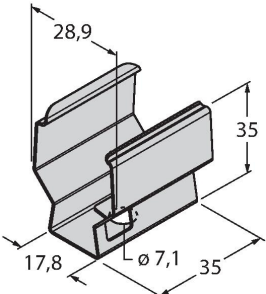
Magnetic mounting bracket for mounting on metallic surfaces, for mounting WLS28 work lights

**SMBWLS28RA** 3015764



Mounting bracket, angled, metal, for WLS28 work lights, 5 mm drill holes, screw set included

**SMBWLS28SP** 3088063



Snap bracket for mounting WLS28 work lights