



# IP55 IS adapter

## *Salwico ADAPTER AOHS-IS*

Part no. N1430

System: Salwico CS3000, CS4000 and NSAC-1 fire alarms

### Description

The ADAPTER AOHS-IS is an adapter for IP55 detector bases.

Only detector AOHS-IS can be connected to this adapter.

The adapter can be used for Salwico addressable fire alarm systems CS3000, CS4000 and NSAC-1.

The ADAPTER AOHS-IS has an IS-label on the side.

NB! The classification society might have additional installation requirements than what is mentioned in this data sheet.

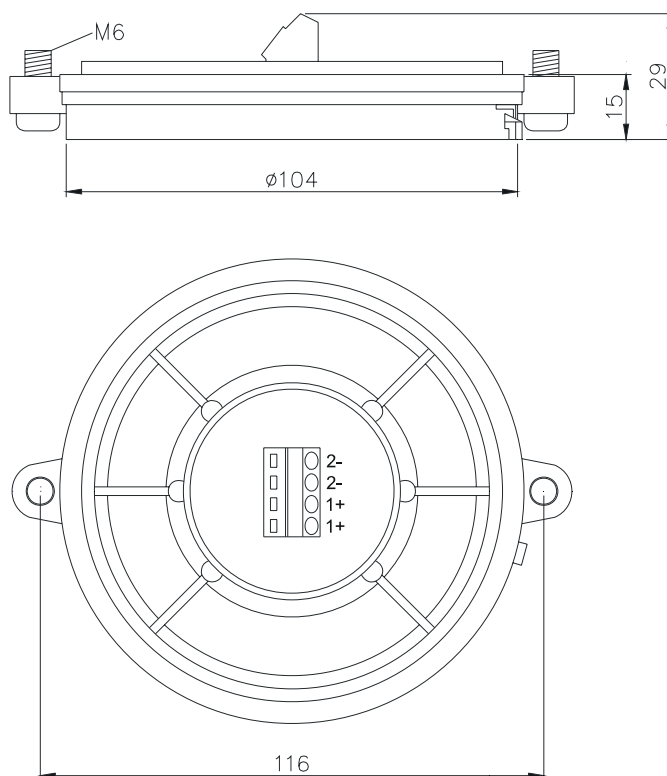
### Data

Cable terminals	2.5 mm <sup>2</sup>
Ingress protection	IP55 (mounted on an IP55 base)
Colour	White
Weight	~105 g

### Detector bases

For information about suitable detector bases, see the separate document "Base matrix Salwico units".

### Dimensions (mm)



### Connection

