

Certification

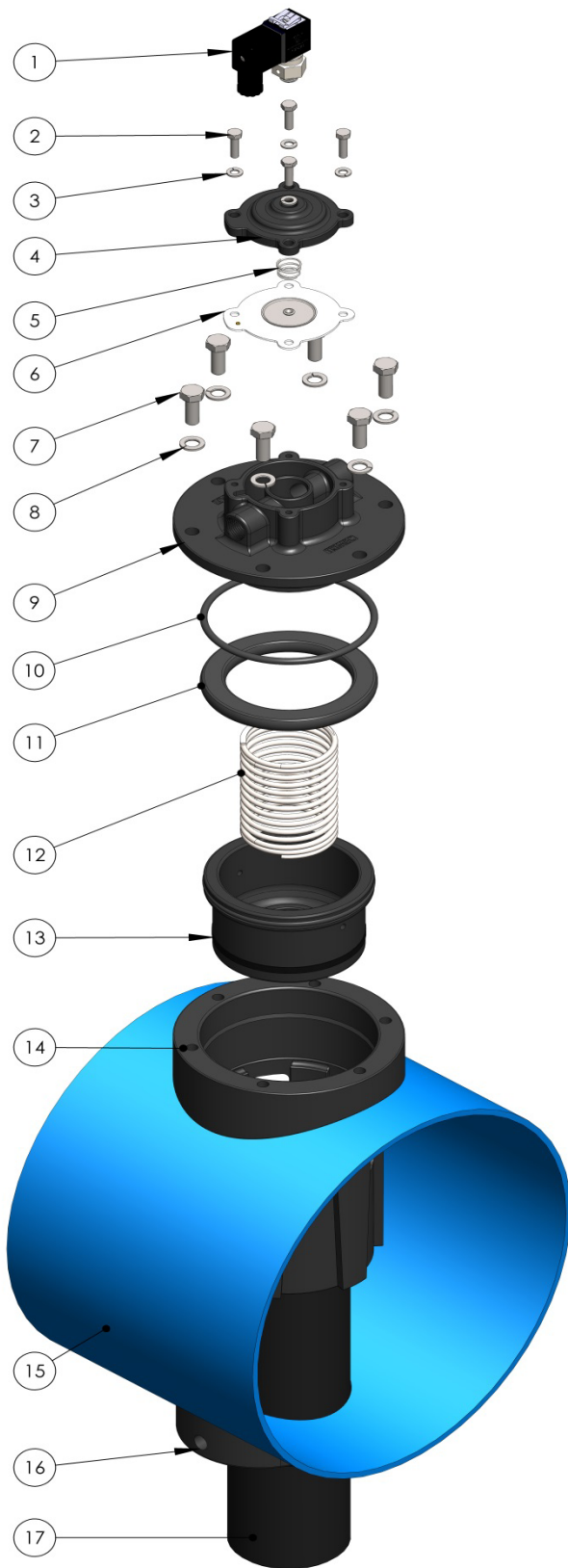


CHARACTERISTICS

Parameters		Values
Output		Pipe 3"
Working-Pressure		1.5 - 4Bar (Max)
Temperature Range	Standard diaphragm	-40°C + 70°C
	Viton diaphragm	-40°C +200°C
Pulse time		40-50ms
Protection level		IP65
Quality of Air (ISO 8573-1)	Solid	2
	Water with T > +3°C	4
	Water with -20°C <T > +3°C	3
	Water with -40°C <T > -20°C	2
	Oil	1

EXPLODED

Standard Version



N.	Material	Description	Qty.
1	//	Pilot Group With Coil	1
2	Stainless Steel AISI 304	Screw M6x20	4
3	Stainless Steel AISI 304	Washer Grower M6	4
4	Die Cast Aluminium	Cover 1"	1
5	Stainless Steel AISI 302	Spring 1"	1
6	TPU VITON(High T)	Small Diaphragm	1
7	Stainless Steel AISI 304	Screw M10x25	6
8	Stainless Steel AISI 304	Washer Grower M10	6
9	Die Cast Aluminium	SPV Cover	1
10	NBR 70 Shore	O-Ring	1
11	NBR 80 Shore	End stroke	1
12	Stainless Steel AISI 302	SPV Spring	1
13	Die Cast Aluminium	Piston	1
14	Die Cast Aluminium	Body Valve 3"	1
15	Carbon Steel / Stainless Steel	Tank 12"	1
16	Die Cast Aluminium	Saddle	1
17	Carbon Steel / Stainless Steel	Blow Pipe 3"	1

Optional Version: ATEX 3GD

COIL DETAIL	
KIT CODE	VOLTAGE
GP-SPV-24/DC	DC 24V
GP-SPV-24/50	AC 24V / 50 Hz
GP-SPV-110/50	AC 110V / 50 Hz
GP-SPV-220/50	AC 220V / 50 Hz
POWER ABSORPTION	20 W
CONNECTOR TYPE	Pg9

CONSUMER VALVE

