

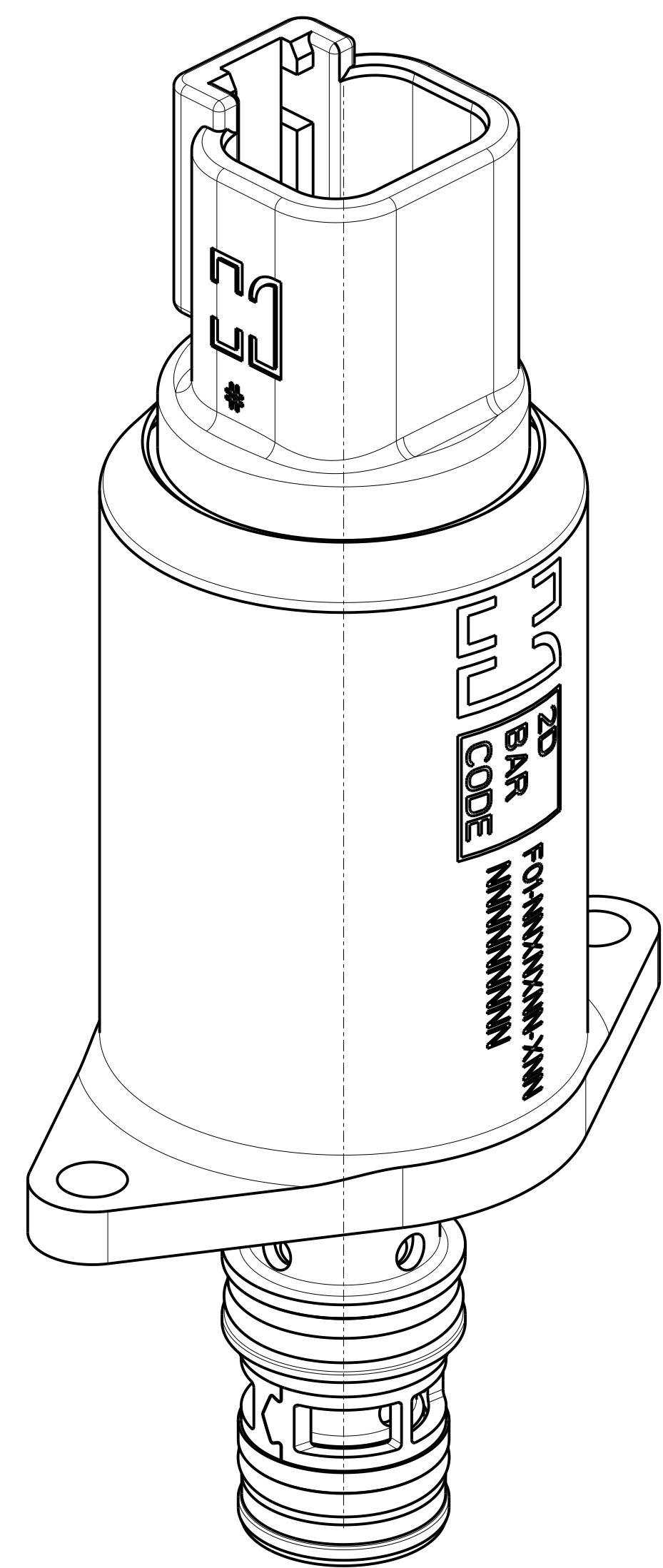
NOTICE: INFORMATION HEREIN PRESENTED IS CONFIDENTIAL PROPRIETARY INFORMATION OF HUSCO. ANY PERSON ACCEPTING THIS INFORMATION IS REQUIRED TO ACCEPT THE SAME IN CONFIDENCE. TO AGREE TO MAKE NO DISCLOSURE, USE, OR DUPLICATION THEREOF EXCEPT AS AUTHORIZED BY HUSCO AND TO RETURN THE SAME ON REQUEST.

PUBLISHER TO TYPE THE FOLLOWING DATE IN THE REV. COLUMN OF THE PRODUCTVIEW DB

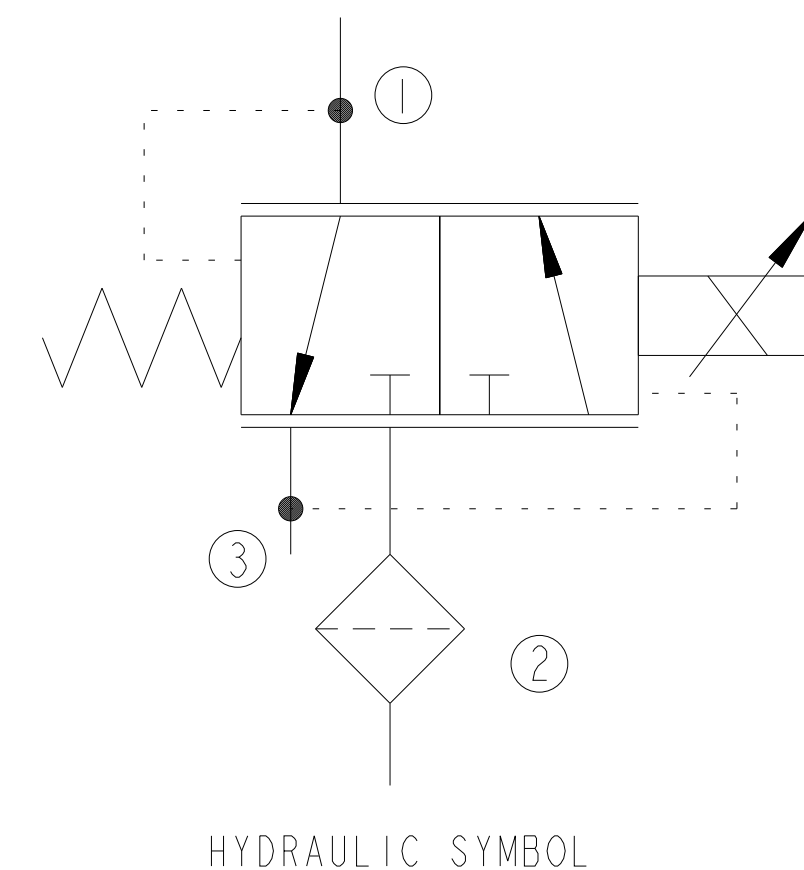
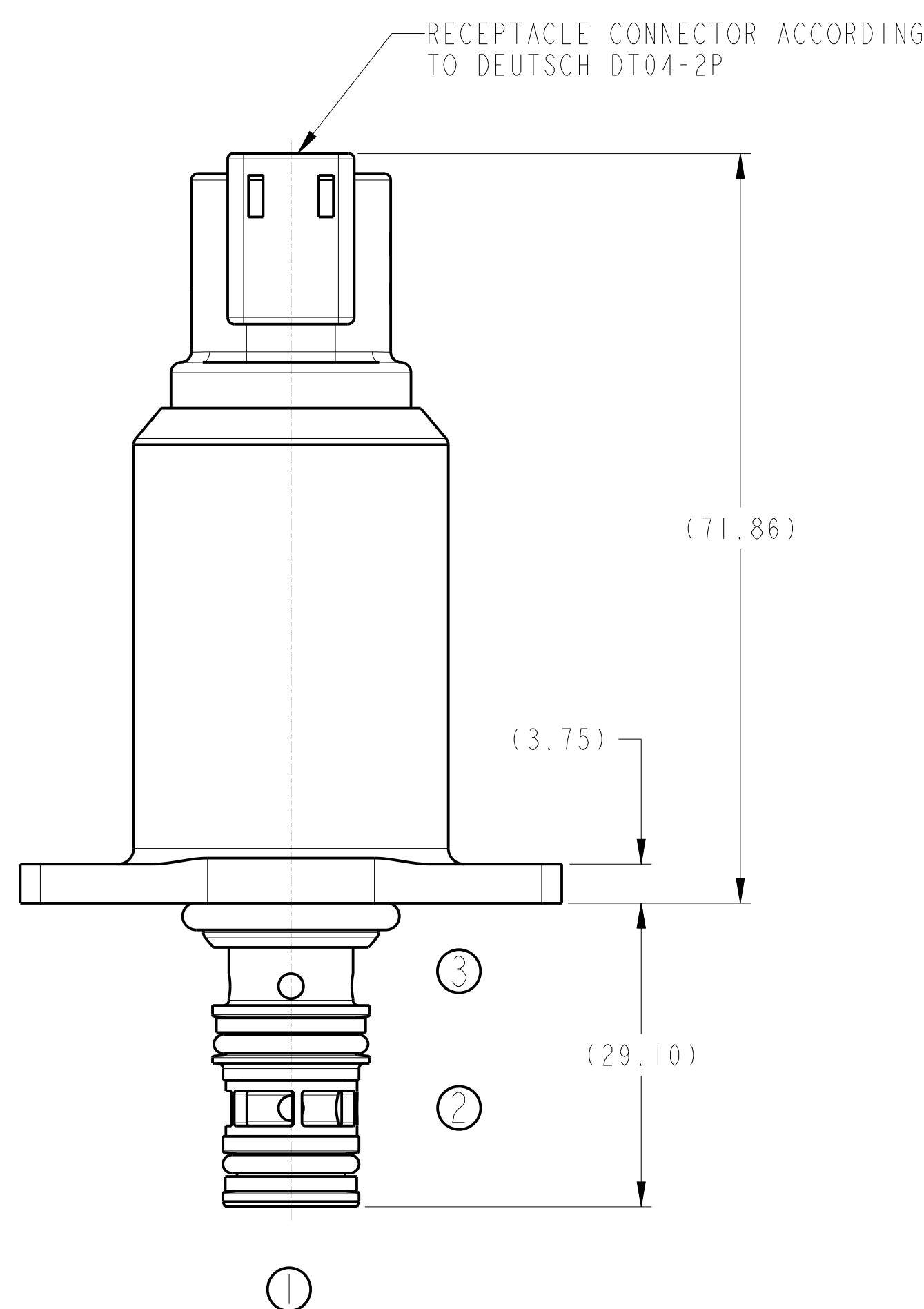
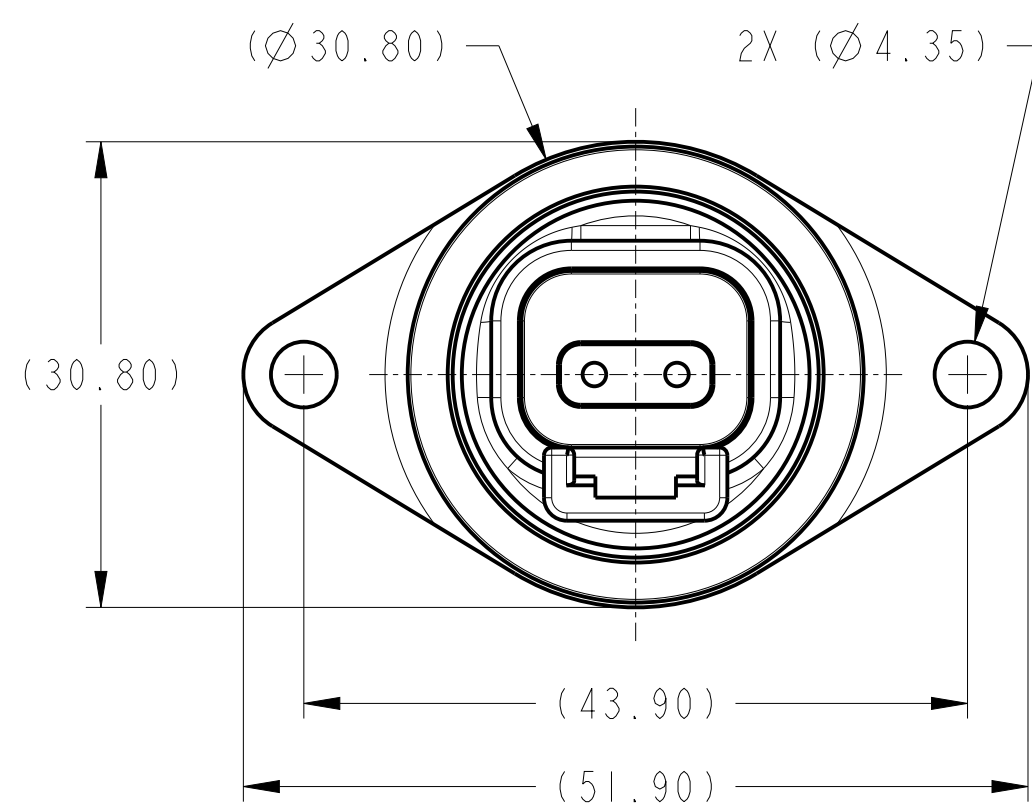
LATEST REV. DATE: 23-269
ADDED SHEET 12 & 6 INSTANCES FOR NEW SOLENOID ORIENTATION PER CR 71044

SEE REVISION COLUMN OF EACH TABULATION FOR LATEST REVISION LETTER AND ECN No. REF. BACK ISSUE DATA FOR PREVIOUS CHANGES

PART NUMBER	MATERIAL	SOLENOID COLOR	RESISTANCE AT TEMP 20°C	INDUCTANCE SEE NOTE 3	REV	ECN No.	DATE	NAME/CHKR
F01-12DIA20-A00	31638-ENG001A17	BLACK	4.88	8.17	D04	70255	29AUG22	ABW/SSH
F01-12DIA25-A00	31638-ENG001A21	BROWN	5.1	11.32	D04	70255	29AUG22	ABW/SSH
F01-12DIA30-A00	31638-ENG001A28	GREEN	5.17	13.6	D04	70255	29AUG22	ABW/SSH
F01-24DIA20-A00	31638-ENG001B17	BLUE	20.325	32.4	D04	70255	29AUG22	ABW/SSH
F01-24DIA25-A00	31638-ENG001B21	GREY	20.6	43.05	D04	70255	29AUG22	ABW/SSH
F01-24DIA30-A00	31638-ENG001B28	PURPLE	20.98	53.77	D04	70255	29AUG22	ABW/SSH



SCALE 3:1



NOTES:

1. FUNCTION: PROPORTIONAL PRESSURE REDUCING VALVE
2. SPECIFICATIONS PER HUSCO SPEC. F01-PS
3. INDUCTANCE IS MEASURED WITH A LCR METER TO CONFIRM CORRECT CARTRIDGE VALVE ASSEMBLY. SOLENOID INDUCTANCE IN APPLICATION IS DIFFERENT, PLEASE CONTACT ENGINEERING IF YOU NEED THIS INFORMATION.

MASS = 0.23 Kg. (0.50 LBS.)
TOTAL SURFACE AREA = 541.11 CM²

DIMENSIONS ARE IN MILLIMETERS		SCALE 2:1	THIRD ANGLE PROJECTION	 HUSCO INTERNATIONAL WAUKESHA, WISCONSIN USA
UNLESS OTHERWISE SPECIFIED, DETAILS TO BE MANUFACTURED IN ACCORDANCE WITH: HUSCO SPEC.100-101		DATE 22 JAN 18		
UNTOLERANCED DIMENSIONS ON ASSY. DWG. ARE FOR REF. ONLY		DRAWN BY SMK	NAME SOLENOID-CARTRIDGE VALVE	EXP NO -
MATERIAL SEE TABLE	CHKD BY JLM	APPRD BY CKO	ORIG DOC W31638	PART NO F01-TAB
HEAT TREAT -	DRAWING SIZE D	CIMCAD SYMBOL N	ECN NO -	REV/ISS -
PLATING -	HUS PRO/E		SHEET 1 OF 12	