

MDL NAME:KD6040006
DWG NAME:KD6040006

1

2

3

4

NOTE:

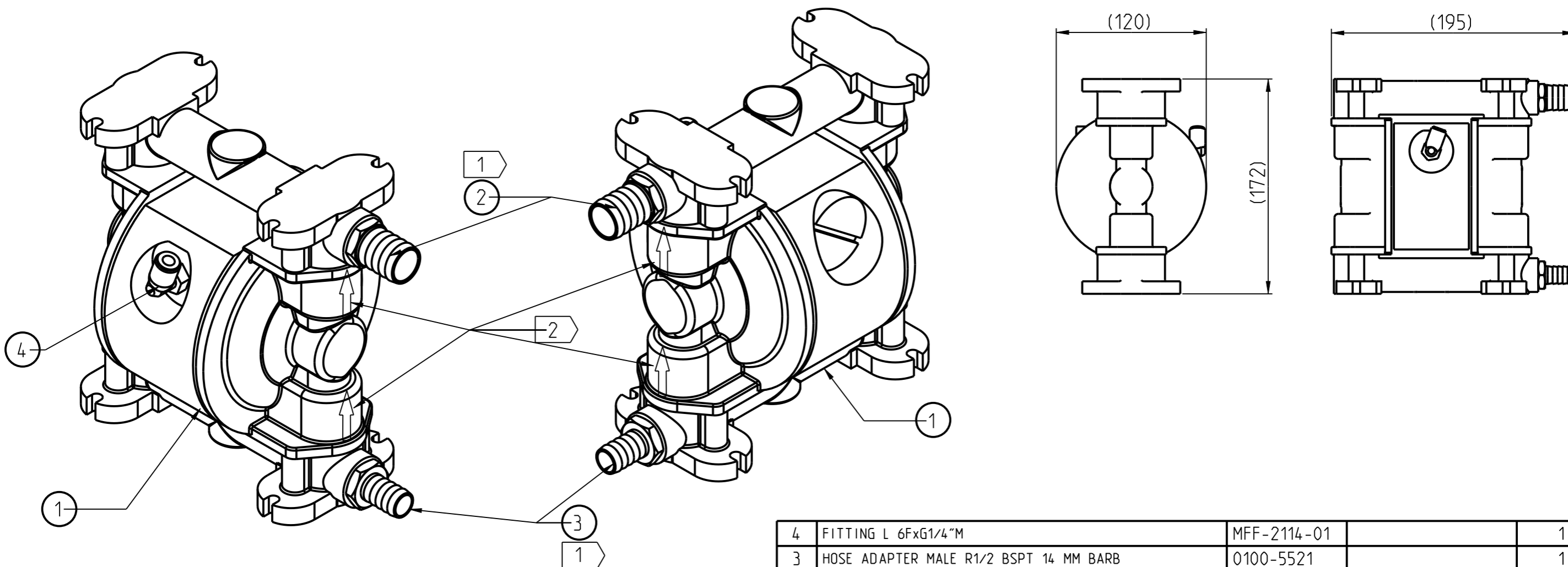
COMPLIANCE TO THE LATEST REVISION OF HP GENERAL SPECIFICATION FOR THE ENVIRONMENT (GSE DOCUMENT NUMBER HX-00011-00) IS REQUIRED.
<http://www.hp.com/hpinfo/globalcitizenship/environment/pdf/gse.pdf>

REV.	DESCRIPTION	MODIFIED BY	DATE
00.006		PHILIP M	18.Jul.2019

A

- 1 APPLY 0470-4072 (LOCTITE 542) ON THE THREAD OF THE FITTING BEFORE ITS ASSEMBLY
- 2 ASSEMBLE THE FITTINGS ACCORDING TO THE CORRECT ARROW ORIENTATION

B



NO.	PART DESCRIPTION	CATALOG NO.	DRAWING NO.	QUANTITY
4	FITTING L 6FxG1/4"M	MFF-2114-01		1
3	HOSE ADAPTER MALE R1/2 BSPT 14 MM BARB	0100-5521		1
2	HOSE ADAPTER MALE R1/2 BSPT 20 MM BARB	0100-5520		1
1	INK RETURN DIAPHRAGM PUMP MICROBOXER ALU	0960-4808		1

C

UNLESS OTHERWISE SPECIFIED: GENERAL USE FOR TOLERANCE DEFINITIONS SEE NOTE NOTE NUMBER DIMENSIONS IN MM. DO NOT SCALE DWG. DIMENSIONS APPLY AFTER COATING	TC SEQ. 006	MATERIAL N/A FINISH None	NC FILE NAME KD6040006_00_006	APPROVAL DR. PHILIP M CREATOR PHILIP M DES. IN CHG. PHILIP M PROJ. MGR. GOLAN L	DATE 01.07.19 30.06.19	 HP Indigo Ltd., P.O. Box 150 Kiryat Weizmann, Rehovot 7610101 Israel Tel +972 (8) 938 1818 Fax +972 (8) 938 1338		
	PART REV. 0.7		MAXIMUM SURFACE TEXTURE OTHER ✓	TITLE DEBEM DIAPHRAGM PUMP + FITTINGS	CAT. NO. CA645-03790		REVISION 00	
	DRAW REV. 0.4		THIRD ANGLE PROJECTION 	hp confidential			DWG. NO. KD6040006-A	SH 1 OF 1
			WEIGHT (KG) =	SCALE 3:10				

RnD Part CA645-03790_00_006