



### **I Application**

The sanitary and cost-efficient design of the Hyginox SE centrifugal pump makes it particularly suitable as main process pump in the dairy, beverage, pharmaceutical and cosmetic industries.

### **I Design and features**

Hyginox SE is a range of close-coupled centrifugal pumps with sanitary design, compact and efficient. It is made of a cold-formed stainless steel casing, stainless steel open impeller (investment casting), mechanical seal, pump cover, lantern and shaft, connected to the motor shaft by mechanical compression.

The motor complies with the IEC standards, it is protected with a stainless steel shroud and provided with the height adjustable hygienically designed legs.

### **I Technical specifications**

#### **Materials:**

Parts in contact with the product	Stainless steel AISI 316L (1.4404)
Other steel parts	Stainless steel AISI 304 (1.4301)
Gaskets in contact with the product	EPDM (according to FDA and EC 1935/2004)

Single internal mechanical seal EN 12756 I1k (according to FDA and EC 1935/2004):

Rotary part	Carbon (C)
Stationary part	Silicon carbide (SiC)
Gaskets	EPDM

#### **Surface finish:**

Internal	Ra<0,8 µm
External	Matt

Connections: DIN 11851

#### **Operating limits:**

Nominal pressure	10 bar	145 PSI
Temperature range	-10°C to +120 °C	14 °F to 248 °F
	+140°C (SIP, max- 30 min.)	284 °F
Maximum flow	130 m³/h	572 US GPM
Maximum differential head	90 m	295 ft
Maximum speed	3500 rpm	



## I Motor

Triphasic induction motor with B34 flange (B35 for motor frame 132 and above), in compliance with the IEC standards, 2 poles = 3000/3600 rpm, efficiency class according to EC regulation, IP 55 protection and F-class insulation.

3 phases, 50 Hz, 230 V Δ / 400 V Y, ≤ 4 kW  
 3 phases, 50 Hz, 400 V Δ / 690 V Y, ≥ 5,5 kW

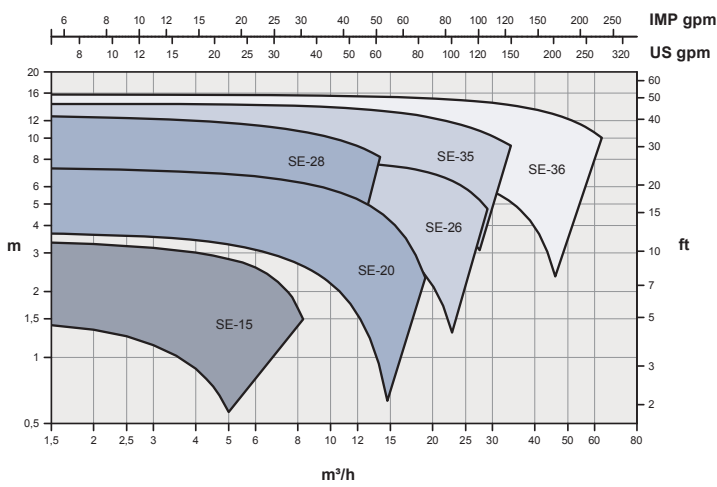
## I Options

SiC/SiC mechanical seal.  
 Gaskets: FPM and PTFE.  
 Jacketed pump housing.  
 Drain port.  
 Other connection types.  
 Motor with other voltages, frequencies, protection classes and efficiencies.  
 Trolley and/or control panel.  
 ATEX certification.

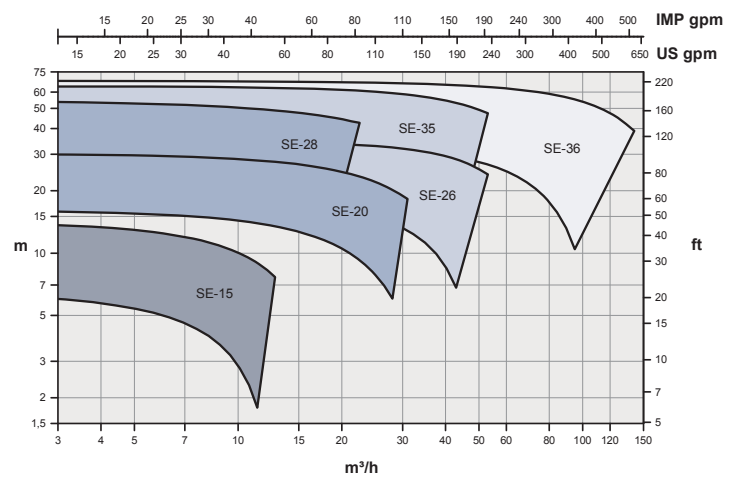
## I Performance charts

50 Hz

1450 rpm

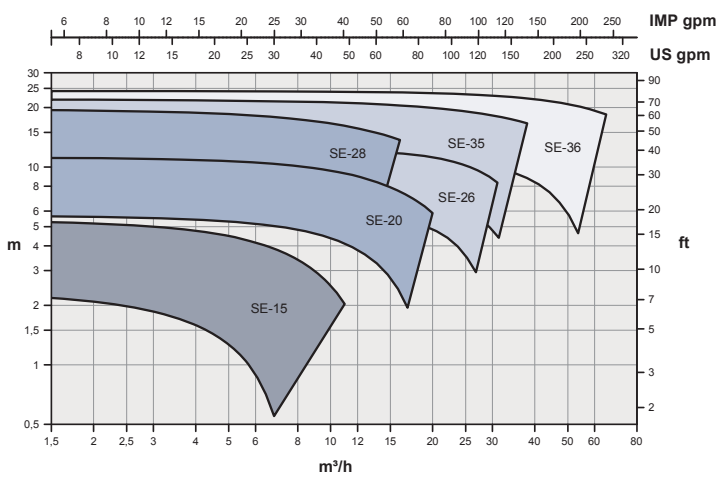


2900 rpm

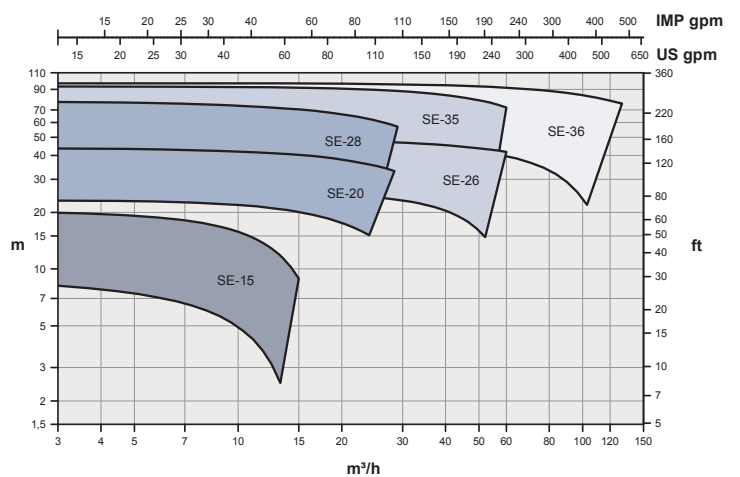


60 Hz

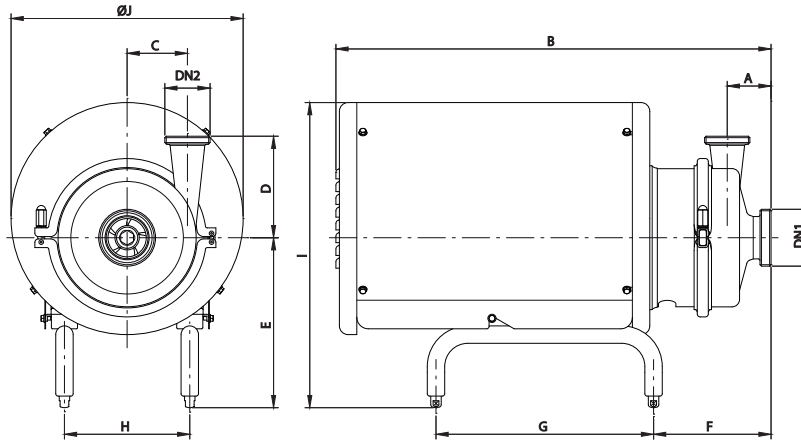
1750 rpm



3500 rpm



I Dimensions: Hyginox SE

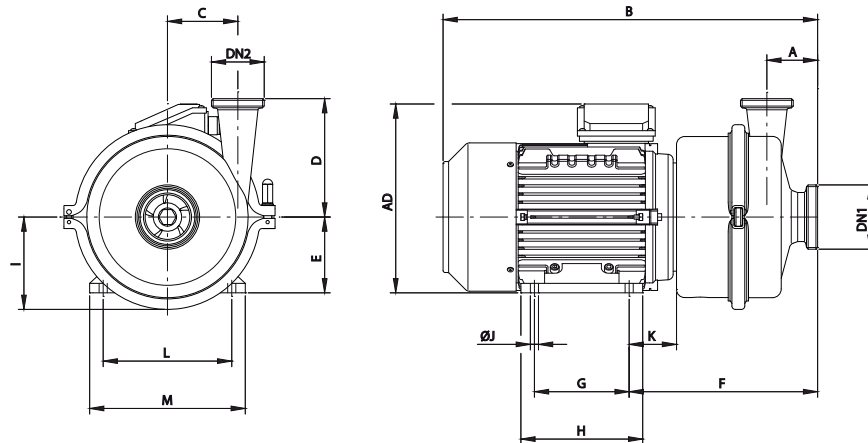


Pump	Size	Motor		DN1	DN2	A	B	C	D	E	F	G	H	I	ØJ	kg
		kW	rpm													
SE-15	A 71	0,25	1450	40	32	55	440	55	100	203	111	250	112	350	230	14
		0,55								15						
	B 80	0,75	2950				217			148	275	132	405	290	22	
C 90S	1,1	227		154	415	28										
SE-20	C 90S	1,1	1450	50	40	55	530	74	140	227	154	275	132	415	290	30
		1,5								29						
	90L	2,2	2950				266			152	325	175	480	350	31	
	D 100	3					278			159					490	43
E 112	4	605	278	159	325	175	490	350	49							
SE-26	C 90S	1,1	1450	65	50	55	540	72	150	227	162	275	132	415	290	31
		D 100								3	266					159
	E 112	4	2950				278			166	325	175	490	350	50	
		5,5					56									
		F 132S					7,5			740					293	192
																79
SE-28	C 90S	1,1	1450	40	40	65	535	106	165	227	157	275	132	415	290	36
		D 100								3	266					154
	E 112	4	2950				278			161	325	175	490	350	55	
		5,5					61									
		F 132S					5,5			740					293	188
																84
SE-35	D 100	2,2	1450	65	50	75	620	104	175	266	168	325	175	480	350	49
		3								278	175					490
	E 112	5,5	2950				750			293	202	375	216	530	400	76
		7,5														85
	F 132S	11	2950				885			367	253	475	267	645	465	98
		11														134
G 160M	15	367	253	475	267	645	465	154								
SE-36	D 100	2,2	1450	100	65	75	620	98	181,5	266	168	325	175	480	350	52
		3								278	175					490
	E 112	4	2950				750			293	202	375	216	530	400	88
		7,5														101
	F 132S	11	2950				885			367	253	475	267	645	465	136
		11														156
G 160M	15	367	253	475	267	645	465	156								

Dimensions with DIN 11851 connections



**I Dimensions: Hyginox SE without shroud and without legs**



Pump	Size	Motor kW	rpm	DN1	DN2	A	B	C	D	E	F	G	H	AD	I	ØJ	K	L	M	kg						
SE-15	A	71	0,25	40	32	55	375	55	100	71	202	90	105	185	80	7	45	112	140	10						
			0,55																							11
	B	80	0,75				2950			420	80	231	100	130		215	10	50	125	160	18					
	C	90S	1,1				445			90	237			235		10	56	140	180	22						
SE-20	C	90S	1,1	50	40	55	450	74	140	90	237	100	130	235	105	10	56	140	180	24						
			1,5																							23
	D	90L	2,2				2950			470	100	255	125	155		260	12	63	160	200	34					
		E	100				3			510	112	262	140	180		280		70	190	230	41					
SE-26	E	112	4	65	50	55	530	72	150	112	268	140	180	280	105	10	56	140	180	25						
			5,5																							34
	F	132S	7,5				2950			605	132	310		190		320	150	112	216	260	68					
																										41
																										47
SE-28	C	90S	1,1	40	40	65	450	106	165	90	240	100	125	235	137	10	56	140	180	30						
			3																							39
	D	100	4				2950			525	100	257		180		260	12	63	160	200	46					
		E	112				5,5			540	112	264	140	180		280		70	190	230	52					
		F	132S				7,5			600	132	306		190		320	150	112	216	260	73					
SE-35	D	100	2,2	65	50	75	540	104	175	100	271		180	260	134	12	63	160	200	41						
			3																							45
	E	112	5,5				555			112	278	140	180	280			70	190	230	53						
		F	132S				7,5			610	132	320		190		320	150	112	216	260	65					
										650			178	230							74					
		G	160M				11			765	160	375	210	265		405	175	15	167	254	315	116				
SE-36	D	100	2,2	100	65	75	540	98	181,5	100	271	140	180	260	137	12	63	160	200	43						
			3																							48
	E	112	4				555			112	278		180	280			70	190	230	54						
		F	132S				7,5			610	132	320	178	190		320	150	112	216	260	77					
										650			230	320		150					90					
	G	160M	11	765	160	375	210	265	405	175	15	167	254	315	118											
			15																	138						

Dimensions with DIN 11851 connections

