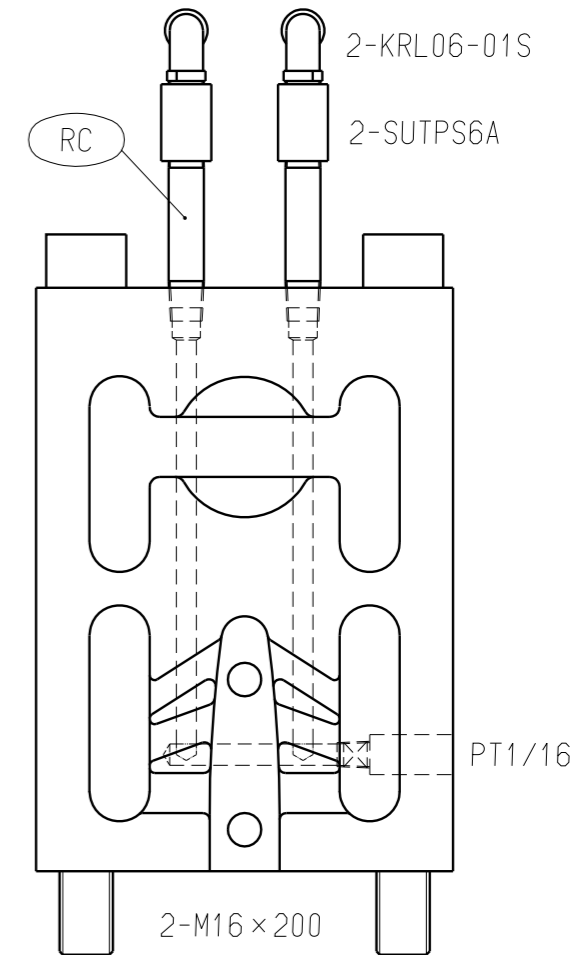
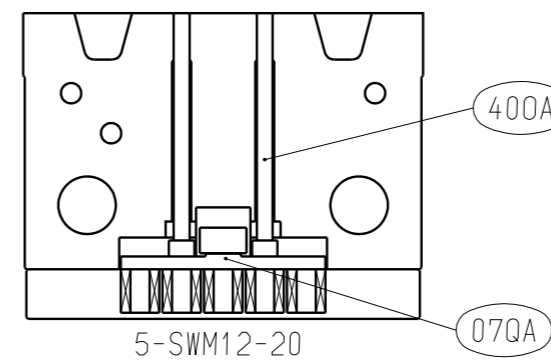
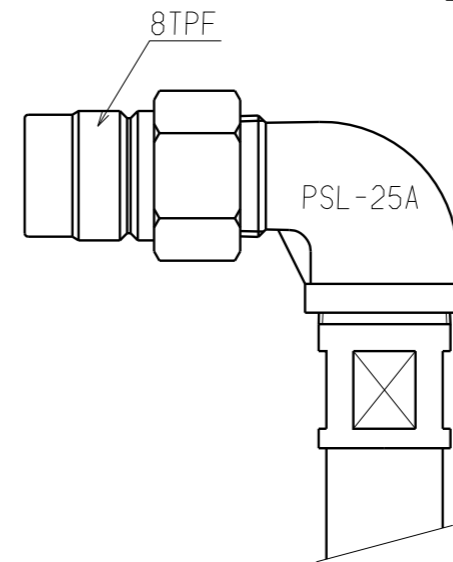
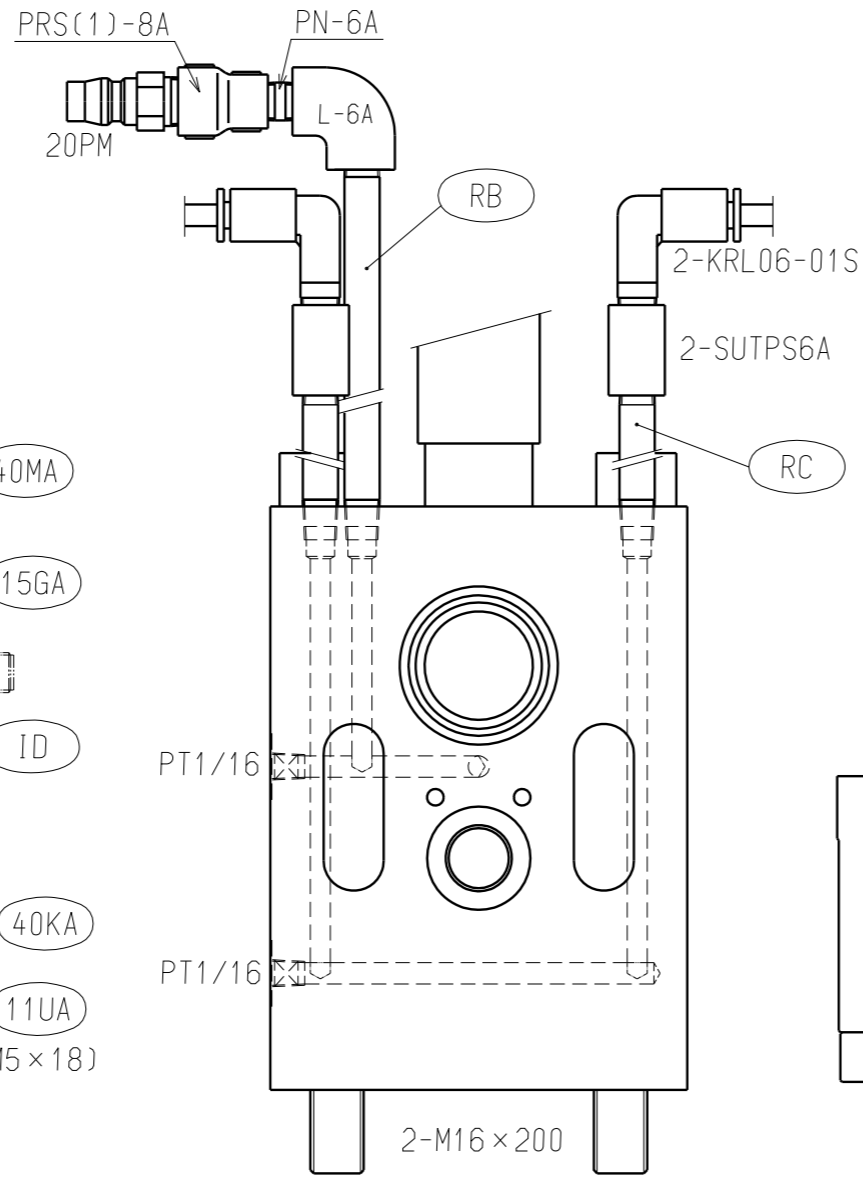
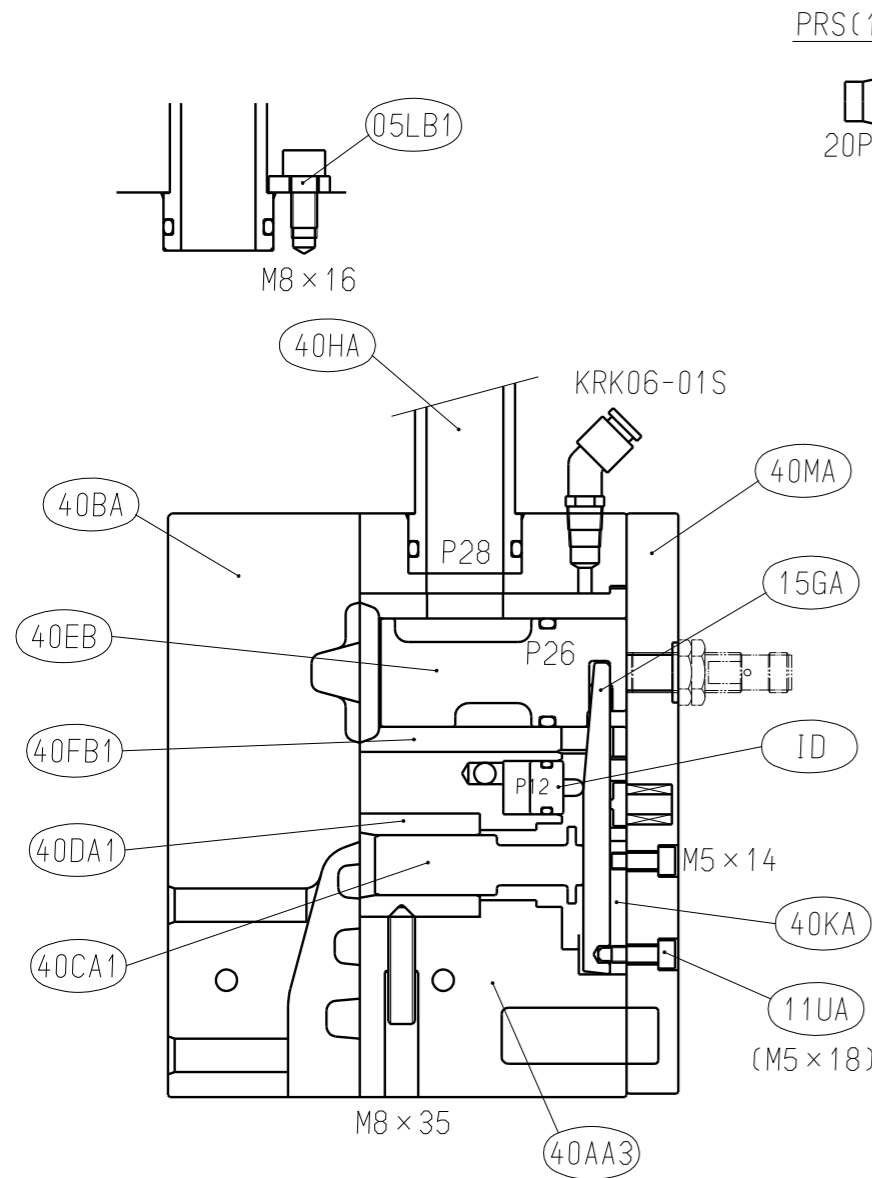


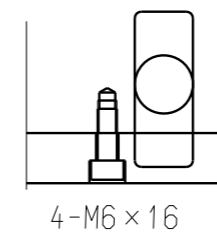
NVV402NS3-Y Parts List

DATE : Apr.07,2014



Production Parts				
Parts Number	Name	Number	Remarks	
1	40AA3	Fixed body	1	402NS3sharing
2	40BA	Movable body	1	402sharing
3	40CA1	Piston	1	402NS3-Yexclusive use
4	40DA1	Piston bush	1	402NS3-Yexclusive use
5	40EB	Valve	1	402sharing
6	40FB1	Valve bush	1	402NS3-Yexclusive use
7	15GA	Lever	1	154~sharing
8	40HA	Pipe L180	1	402sharing
9	ID	Cylinder	1	154~sharing
10	40KA	Lever plate	1	402sharing
11	05LB1	Pipe plate	1	ZM-ZB056~sharing
12	40MA	Fixed body plate	1	402sharing
13	400A	Fixed pin φ5-76	2	402sharing
14	07QA	Fixed pin plate	1	ZM-ZB056~sharing
15	RB	G pipe L125	1	Sharing
16	RC	G pipe L50	4	Sharing
17	11UA	Plate bolt	1	113~sharing

Purchase Parts				
Parts Number	Name	Number	Remarks	
1	M16x200	Socket bolt	4	
2	M8x16	Socket bolt	1	
3	M6x16	Socket bolt	4	
4	M5x14	Socket bolt	1	
5	P28	O-ring	1	Silicon
6	P26	O-ring	1	Silicon
7	P12	O-ring	1	Silicon
8	SWM12-20	Coil spring	5	MISUMI
9	SUTPS6A	Teper socket	4	MISUMI
10	KRL06-01S	90° union elbow	4	SMC
11	KRK06-01S	45° union elbow	1	SMC
12	L-6A	90° elbow	1	
13	PN-6A	Nipple	1	
14	PRS(1)-8A	Different diameter socket	1	
15	20PM	High coupler(plug)	1	
16	8TPF	TSP coupler(plug)	1	
17	PSL-25A	Street elbow	1	
18	M8x35	Set bolt	1	Sharp
19	PT1/16	Sunk head plug	3	



5				
4				
3				
2				
1	Admit	Producer		
△	New edition	14/04/07	Aruga	
NO.	MODIFICATION	DATE	NAME	
DIE ENGINEERING CORPORATION				