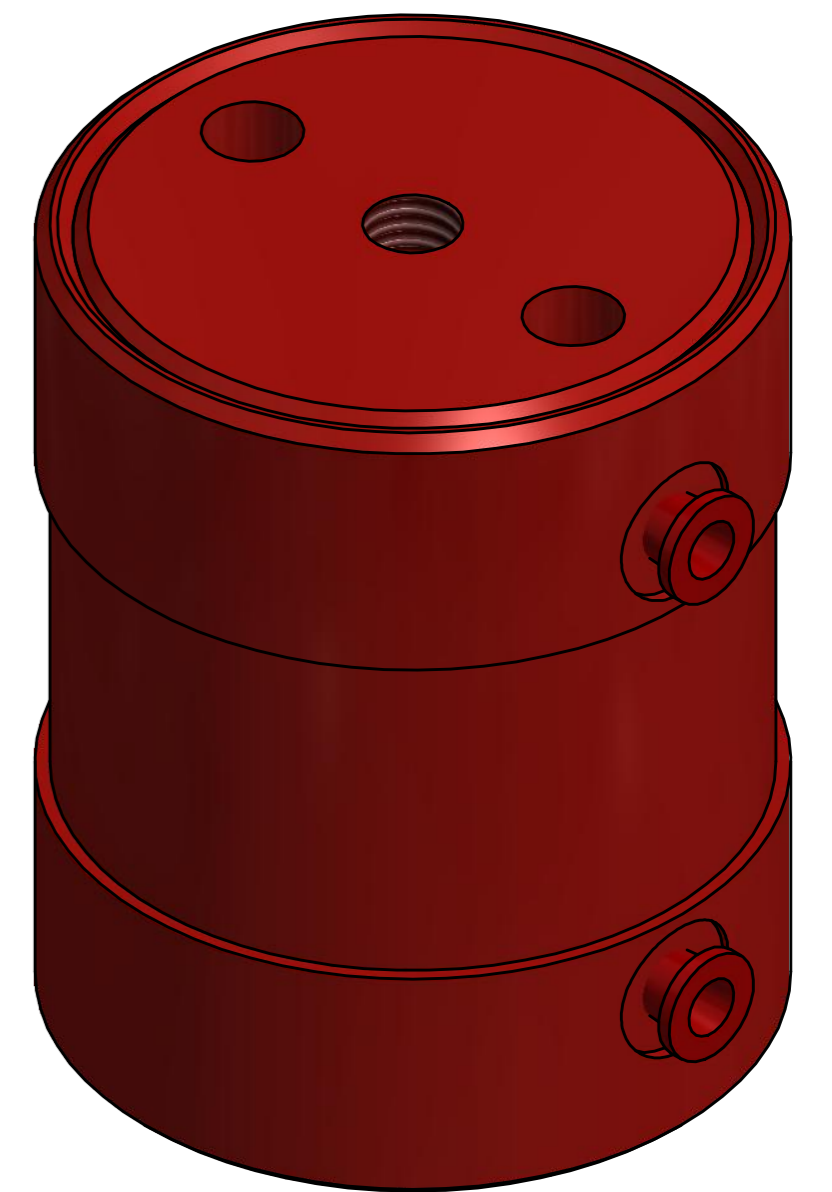
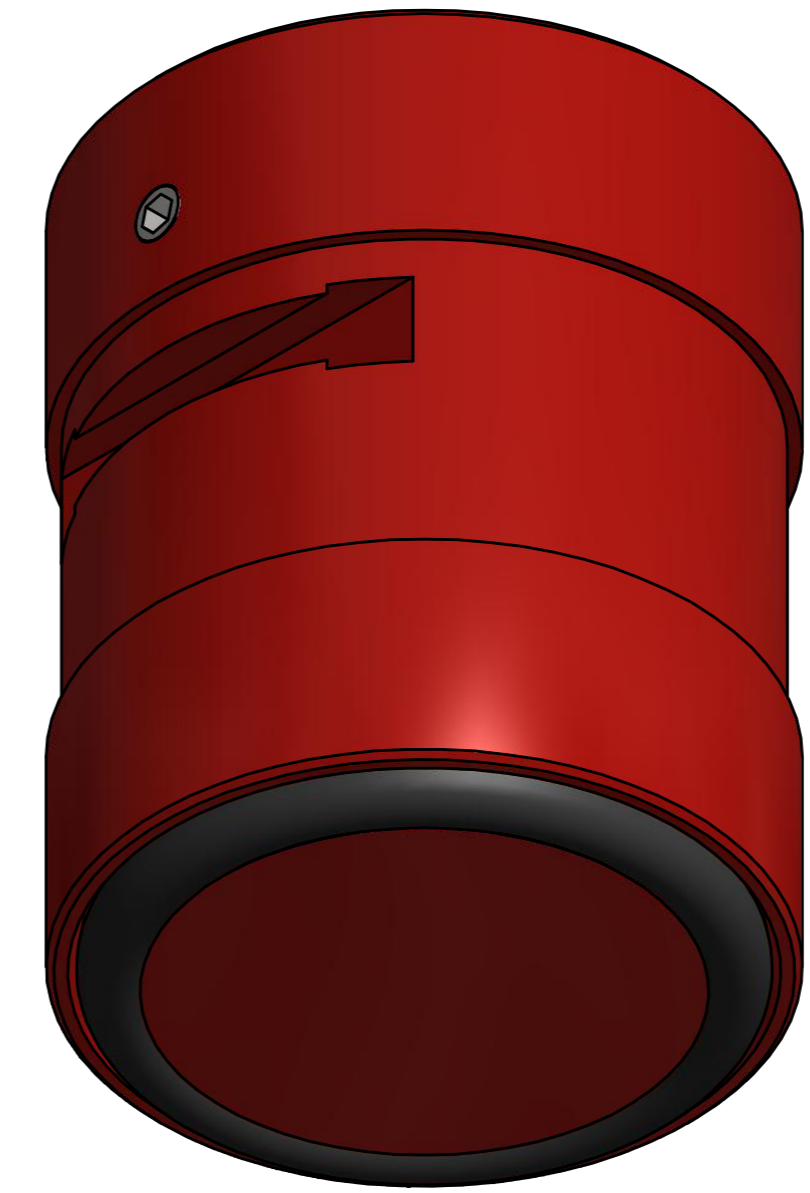
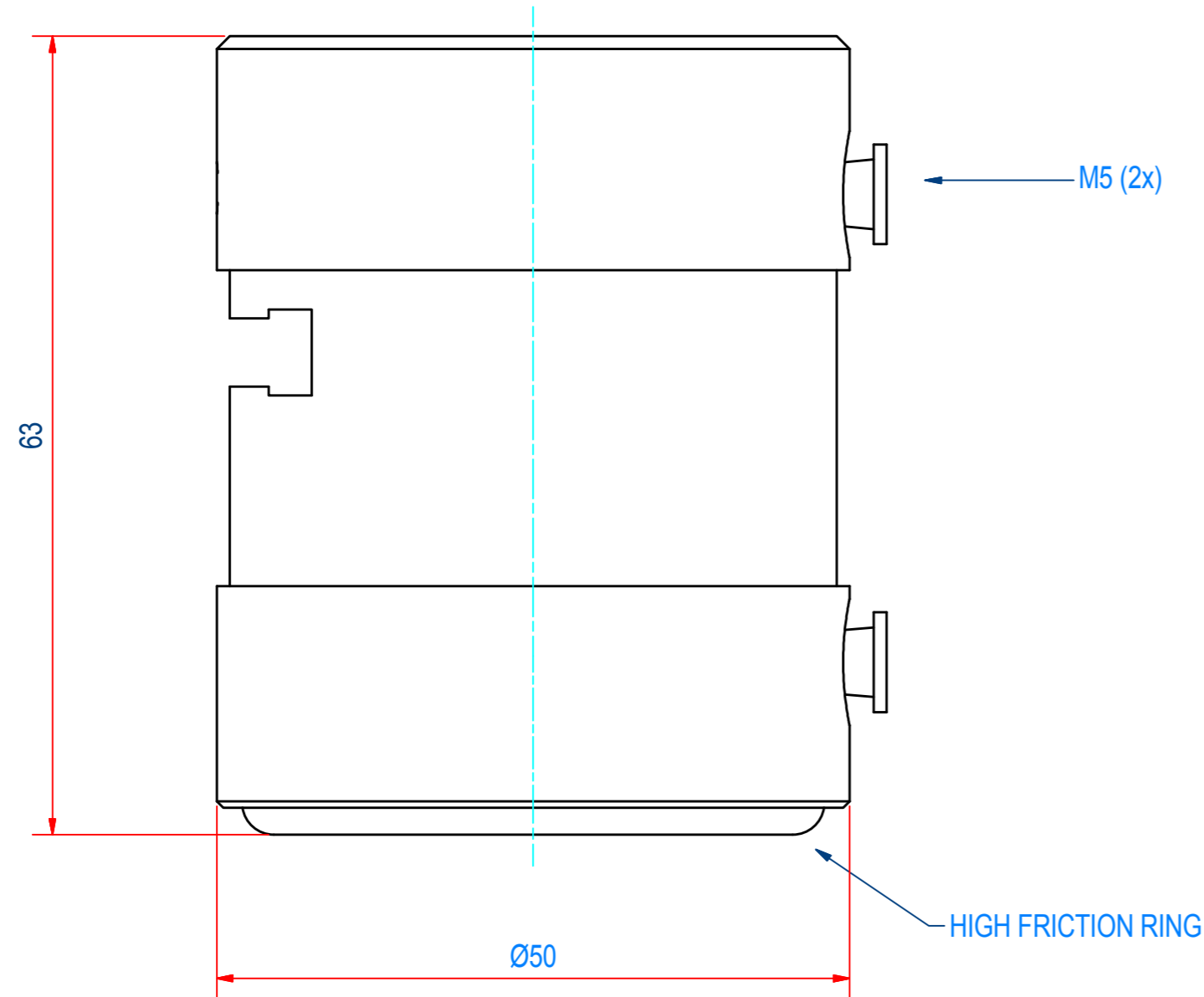
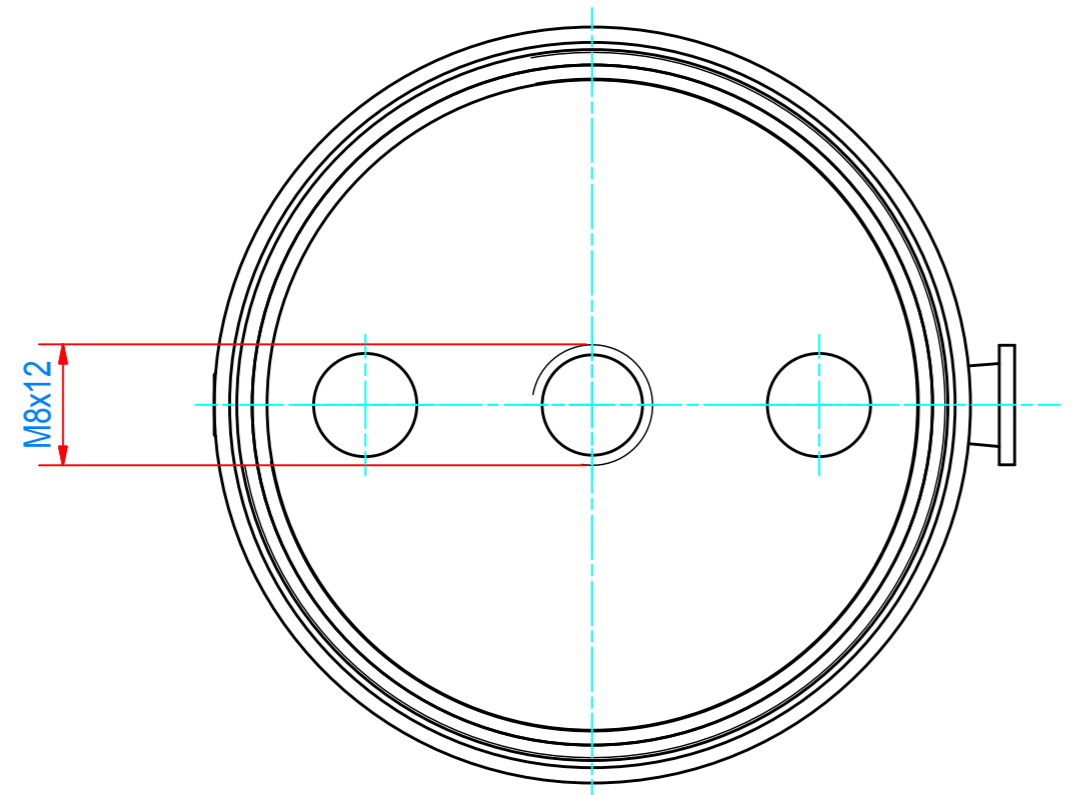


REV	DATE	BY	DESCRIPTION
-	25-6-2013	PB	NEW VAULT, NEW REVISION. NOTHING CHANGED. OLD REV WAS G



ITEM	QTY	PART NUMBER	DESCRIPTION	Dimensions
2	2	1009.30013	PLUG LDPE M5	
1	1	M41768	MOUNTING ASSY TPGC050	
RAW MAT.	1			
	QTY	MAT. NUMBER	MAT. DESCRIPTION	LENGTH (mm) WIDTH (mm)
Sheet: A2			Extra info: REINFORCED	General tolerance: ISO 2768- mK
Drawn: PB	Weight (kg): 0,3			Drawn according: ISO268; ISO1101; ISO2553
Date: 25-6-2013	Spare part: False		<b>GOUDSMIT</b> MAGNETIC SYSTEMS <small>© All rights reserved. Reproduction is not permitted without written permission of GOUDSMIT Magnetic Systems BV</small>	Status: Standard
Quick search: TPGC050	Description: HGR-RO-050-OR-R-M-S			Customer reference number:
			File number: TPGC050018	Rev: -
			Part number: TPGC050018	Rev: -