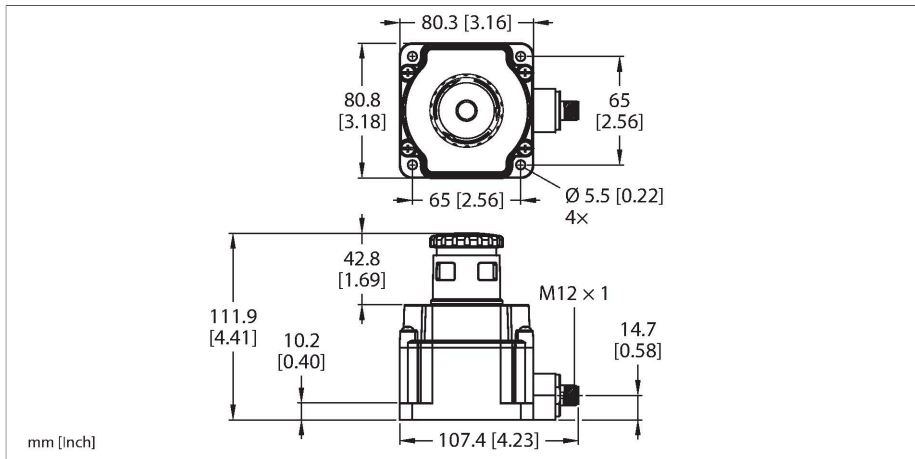


SSA-EB1MLXRP-12ED1Q8

Safety Technology – E-stop Button

Illuminated



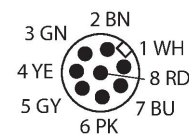
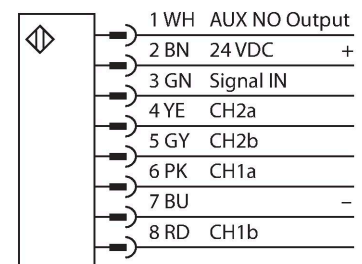
Technical data

| | |
|------------------------|--|
| Type | SSA-EB1MLXRP-12ED1Q8 |
| ID | 3029992 |
| Function | E-stop button, lit |
| Light type | Red |
| Output function | 2 x NC (normally closed), Potential-free |
| Design | Rectangular |
| Dimensions | 80.3 x 80.8 x 111.9 mm |
| Housing material | Plastic, PC |
| Cascadable | Yes |
| Electrical connection | Connector, M12 × 1 |
| Ambient temperature | -25...+60 °C |
| Relative humidity | 45...85 % |
| Protection class | IP65 |
| Special features | Lockable |
| Tests/approvals | |
| Vibration resistance | 10 to 500 Hz, 0.35 mm amplitude, 50 g acceleration |
| Shock resistance | 15 g (11 ms) |
| Approvals | CE, cULus |

Features

- Rectangular, with locking
- Protection class IP65
- Non-actuated lighting: none
- Lighting circuit externally interrupted: red steady
- Actuated lighting: red flashing
- 2 safety outputs (NC, potential-free)
- 1 auxiliary output (NO, PNP)
- M12 × 1 male connector, 8-pin

Wiring diagram

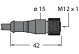


Functional principle

These electromechanical E-stop switches combine the functions of conventional switches with those of the EZ-LIGHTs. The color changes with the switching state. Local quitting of faults is possible at any time and a latch protects against unwanted quitting. The device is available as round or

rectangular version. Both types are IP65 rated. Conventional types without light are also available as well as types for connection to the safety bus from Siemens or AB/ROCKWELL.

Accessories

| Dimension drawing | Type | ID | |
|---|--------------|---------|--|
|  | MQDC2S-806 | 3070975 | Connection cable 1.83 m, PVC, female M12 x 1, 8-pin, black |
| | MQDC2S-806RA | 3054616 | Connection cable 1.83 m, PVC, female M12 x 1, angled, 8-pin, black |