



CITEL

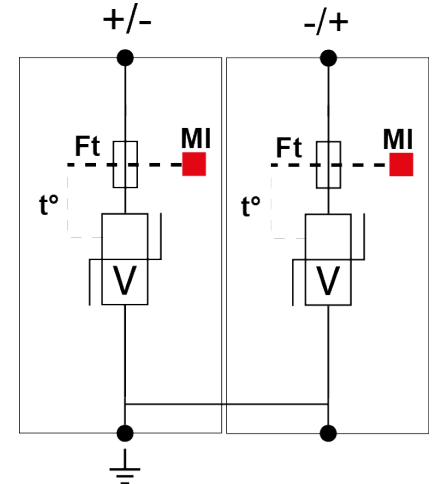
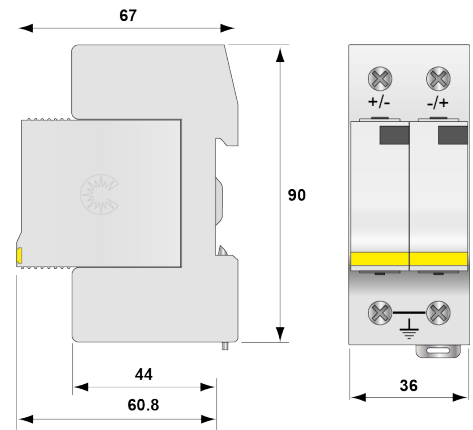


## DS50PV-500/51



- Type 2 surge protector
- 500 Vdc
- In : 15 kA
- I<sub>max</sub> : 40 kA
- Pluggable module
- Remote signaling (option)
- UTE C61-740-51, EN 50539-11 compliance

| Electrical Characteristics  |                              |  |
|---|------------------------------|--|
| SPD type<br><i>following IEC test</i>   |                              | 2  |
| Network   |                              | PV network 500 Vdc                                   |
| Nominal PV voltage  | <i>U<sub>ocstc</sub></i>     | 500 Vdc  |
| Max. PV operating voltage   | <i>U<sub>cpv</sub></i>       | 600 Vdc  |
| Residual Current<br><i>Leakage current to Ground</i>                            | <i>I<sub>pe</sub></i>        | < 0.1 mA   |
| PV Permanent Operating current<br><i>Current consumption at U<sub>cpv</sub></i> | <i>I<sub>cpv</sub></i>       | < 0.1 mA   |
| Follow current  | <i>I<sub>f</sub></i>         | None   |
| Nominal discharge current<br><i>15 x 8/20 μs impulses</i>                       | <i>I<sub>n</sub></i>         | 15 kA  |
| Max. discharge current<br><i>max. withstand @ 8/20 μs by pole</i>               | <i>I<sub>max</sub></i>       | 40 kA  |
| Total Maximal discharge current<br><i>max. total withstand @ 8/20 μs</i>        | <i>I<sub>max Total</sub></i> | 60 kA  |
| Current withstand short circuit PV  | <i>I<sub>scpv</sub></i>      | 15000 A  |
| Connection mode(s)  |                              | +/-/PE   |
| Protection mode(s)  |                              | Common mode  |
| Protection level<br><i>@ I<sub>n</sub> (8/20μs)</i>                             | <i>U<sub>p</sub></i>         | 2.2 kV   |
| Protection level L/N<br><i>@ I<sub>n</sub> (8/20μs)</i>                         | <i>U<sub>p L/N</sub></i>     | 2.2 kV   |
| Protection level L/PE<br><i>@ I<sub>n</sub> (8/20μs)</i>                        | <i>U<sub>p L/PE</sub></i>    | 2.2 kV   |
| Protection level CM/DM<br><i>@ I<sub>n</sub> (8/20μs)</i>                       | <i>U<sub>p mc/md</sub></i>   | 2.2 kV   |
| Internal short circuit protection   |                              | No   |
| Internal Thermal protection   |                              | Yes  |
| Mechanical Characteristics  |                              |  |
| Technology  |                              | MOV  |
| Connection to Network   |                              | Screw terminals: 2.5-25mm <sup>2</sup>               |
| Format  |                              | Plug-in modular box                                  |
| Mounting  |                              | Symmetrical rail 35 mm (EN60715)                     |
| Housing material  |                              | Thermoplastic UL94-V0                                |
| Operating temperature   |                              | -40/+85°C  |
| Protection rating   |                              | IP20   |
| Failsafe behavior   |                              | Disconnection SPD of the PV line                     |
| Disconnection indicator   |                              | 2 mechanical indicators                              |
| Spare module(s)   |                              | DSM50PV-500/51                                       |
| Remote signaling of disconnection   |                              | Option DS50PVS-500/51 - output on changeover contact |
| Dimensions  |                              | See diagram  |



V: High-energy varistor  
 Ft: Thermal fuse  
 t°: Thermal disconnection system  
 MI: Disconnection indicator



CITEL

|                      |  |             |
|----------------------|--|-------------|
| <b>Disconnectors</b> |  |             |
| Thermal disconnecter |  | internal    |
| Fuses                |  | Without     |
| <b>Standards</b>     |  |             |
| Standards compliance |  | EN 61643-11 |
| Certification        |  | EAC         |
| Part Number          |  | 480121      |