

4.2 Part specification [2]

Type = RED 5

Threading = Female / Female parallel pipe threads acc. ISO 228 - G 1 ½"

Nominal size = DN 40

Handle = Steel with PVC grip

Body material = Brass alloy compliant with EN 12165-CW617N-M

Ball valve tested according EN 12266-1:2003

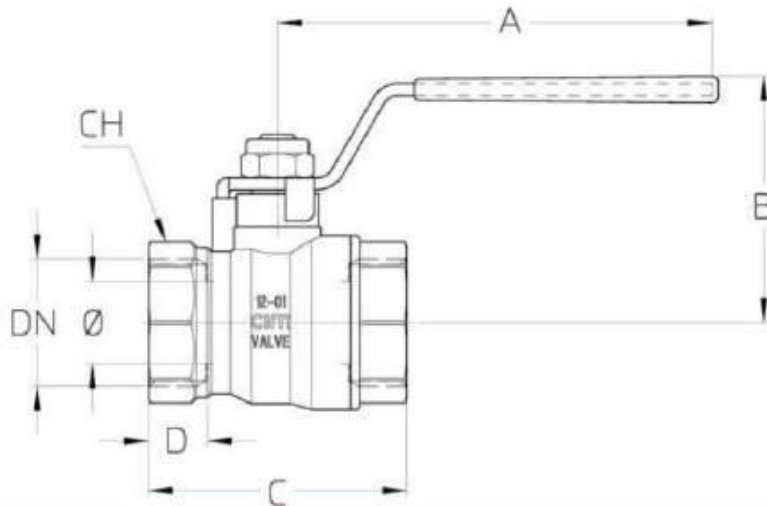


Table 2: Part main dimensions as indicated in figure 1

Specification	Value	Unit
DN	1 ½	inch
Ø	37	mm
Weight	925	10 ⁻³ kg
A	150	mm
B	78	mm
C	88	mm
D	18	mm
CH	54	mm

4.3 Technical characteristics [2]

Table 3: Technical characteristics of the ball valve

Specification	Value	Unit	
DN	1 ½	inch	
Ø	40	mm	
KV	179	m ³ /h	Capacity at pressure drop of 1 bar
CM	8	Nm	Working torque
CS	18	Nm	Starting torque
MT	88	Nm	Maximum torque on the stem

5. Delivery conditions

The ball valve should be delivered in closed state with the handle disassembled.

The handle and nut should be packed in a plastic zip bag that is to be attached to the ball valve.