



A Regal Brand

Catalog # : 191479.00

Product Type: AC MOTOR

Description: 1HP..1800RPM.56.TEFC./V.1PH.60HZ..NOT.40C..RIGID C..CA

Model: C6C17WK16A

Stock: Stock

Quote: Price:

Date: 06/10/2016



A Regal Brand

Catalog # : 191479.00

Product Type: AC MOTOR

Description: 1HP..1800RPM.56.TEFC./V.1PH.60HZ..NOT.40C..RIGID C..CA

Model: C6C17WK16A

Stock: Stock

Engineering Data

Volts	115	Volts	230	Volts	
F.L. Amps	13.6	F.L. Amps	6.8	F.L. Amps	
S. F Amps	14.3	S. F Amps	7.1	S. F Amps	

RPM	1800	Hertz	60	TYPE	CF
HP	1	Duty	CONTINUOUS		
KW	0.75				
Frame	56	Serv. Factor	1.15	Phase	1
Max Amb	40	Design	N	Code	K
Insul Class	F	Protection	NOT	Therm.Prot.	
Eff 100%	69	Eff 75%		PF	69
UL	Y-(LEESON UL REC)	CSA	Yes	Bearing OPE	
CC Number	EXEMPT	CE	Yes	Bearing PE	
Load Type		Inverter Type		Speed Range	NONE

Motor Wt.	38 LB	Enclosure	TEFC	Lubrication	VERIFY
Nameplate		Mounting	RIGID	Rotation	SELECTIVE CCW
Assembly	L	Shaft Dia.	5/8 IN	Ext. Diag.	005005.01
Cust Part No		Outline	16999700	Ext. Diag2	
Packaging		Outline Dash No		Winding	QC63416
Carton Label	INDIVIDUAL			GROUP :	3
Iris		Paint	NO PAINT	Test Card	01

Form Factor		RMS Amps		Const TorqueSpeed Range
Torque		Peak		
AB Code		Peak@DegC		
Resistance				
Connection				

Rework Status

Rework TYPE

Hazardous Loc
Explosion Proof
Class
Class

NONE

Temp Op Code
GROUP
GROUP

Brake Motors
FORCE
VDC
ADC

Brake Coil OHMs @25 C

Performance
Torque UOM
Torque
CURRENT (amps)
Efficiency (%)
PowerFactor

Inertia (WK²)

Load Curve Data @60 HzVolts,1Horsepower
Load Amps KW RPM Torque

Eff

PF

Rise By Resis

Frame Rise

Load Curve Data Not Available
Load Curve Data @60HzVolts,1Horsepower
Load Amps KW RPM Torque

Eff

PF

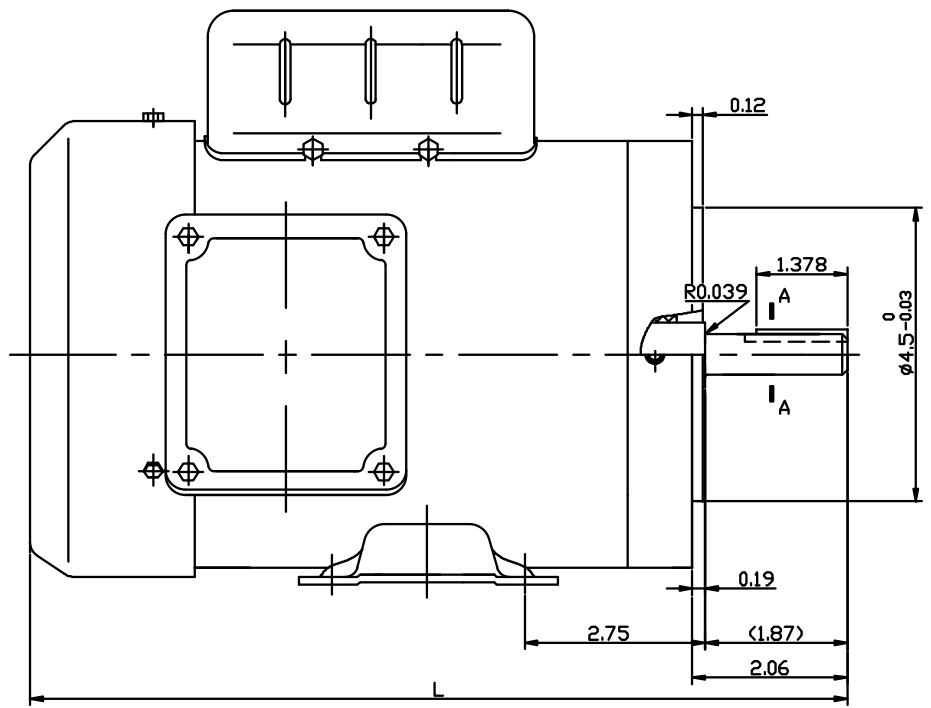
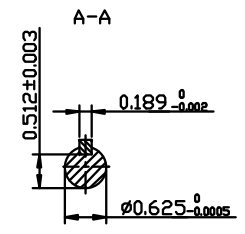
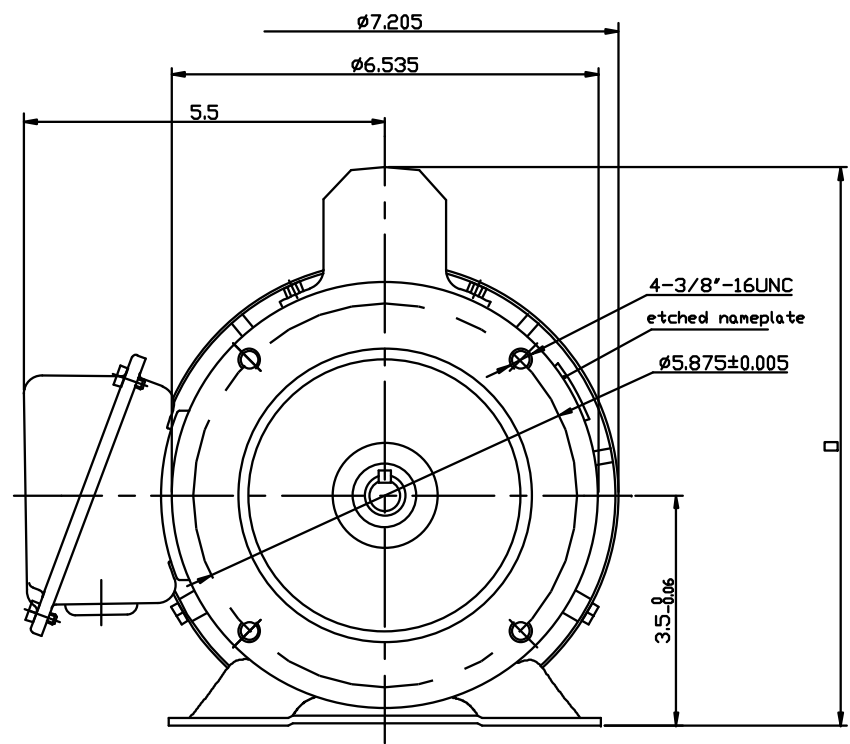
Rise By Resis

Frame Rise

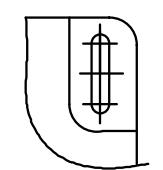
Load Curve Data Not Available

Quote: Price:

Date: 06/10/2016



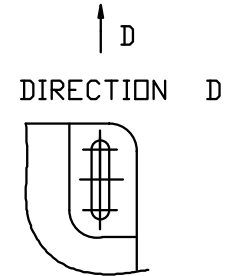
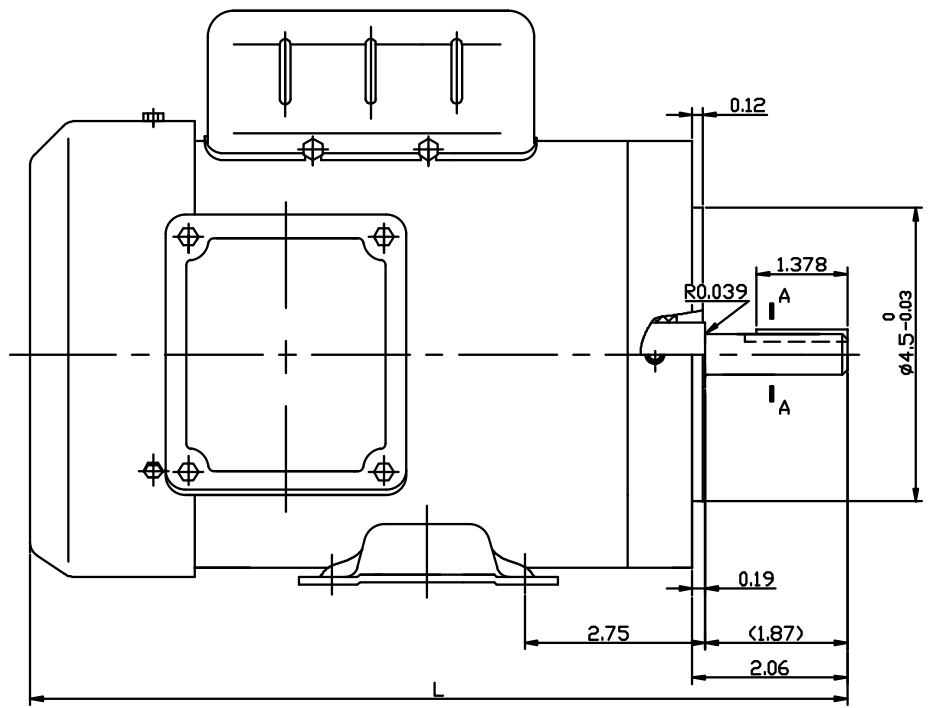
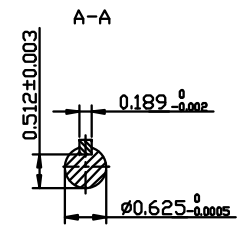
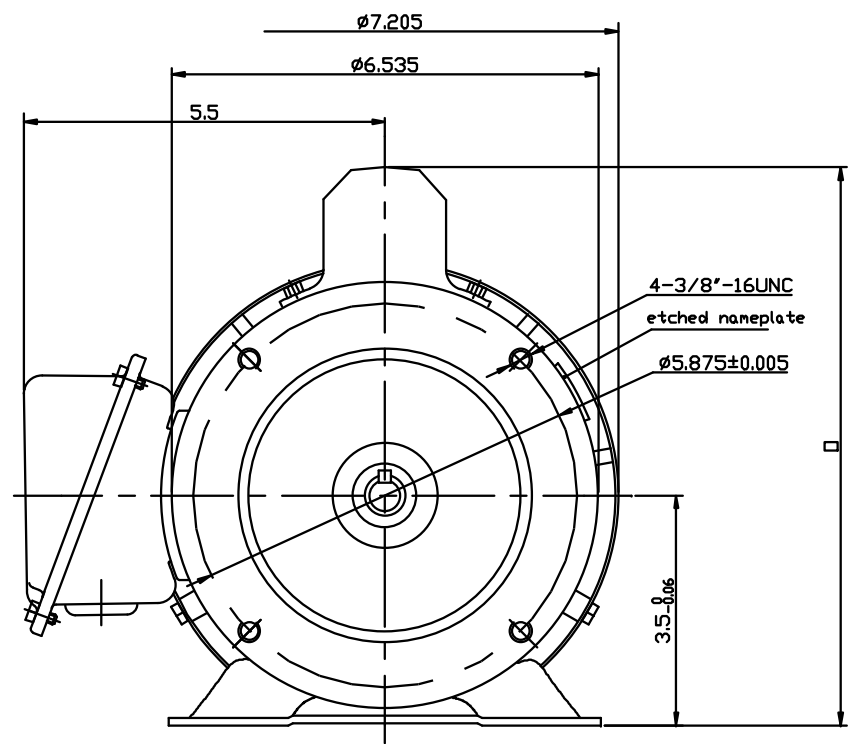
DIRECTION D



LSC NUMBER	CATA. NO.	HP	L	Ø	VOLT	Hz	POLE	FRAME	ENCLOSURE
N/A	191475.00	1/2	11.1	8.46	115/230	60	4P	56C	TEFC
	191477.00	3/4	11.73	8.86					
	191479.00	1	12.24	9.09					

TOLERANCES UNLESS OTHERWISE SPECIFIED				191475,191477,191479 OUTLINE	
DEC.	INCHES	METRIC	DRAWN	TITLE	
.X	±.1	±2.5	APPR.	MAT'L.	
.XX	±.03	±.76	R.F.P.	SCALE	
.XXX	±.005	±0.127	REF.	FINISH	10.09.2012
.XXXX	±.0005	±0.0127	FMF	REV.	DRAWING NO.

THIS DRAWING IN DESIGN AND DETAIL IS OUR PROPERTY AND MUST NOT BE USED EXCEPT IN CONNECTION WITH OUR WORK ALL RIGHTS OF DESIGN AND INVENTION ARE RESERVED THIS IS AN ELECTRONICALLY GENERATED DOCUMENT - DO NOT SCALE THIS PRINT



LSC NUMBER	CATA. NO.	HP	L	Ø	VOLT	Hz	POLE	FRAME	ENCLOSURE
N/A	191475.00	1/2	11.1	8.46	115/230	60	4P	56C	TEFC
	191477.00	3/4	11.73	8.86					
	191479.00	1	12.24	9.09					

TOLERANCES UNLESS OTHERWISE SPECIFIED				191475,191477,191479 OUTLINE	
DEC.	INCHES	METRIC	DRAWN	TITLE	
.X	±.1	±2.5	APPR.	MAT'L.	
.XX	±.03	±.76	R.F.P.	SCALE	
.XXX	±.005	±0.127	REF.	FINISH	10.09.2012
.XXXX	±.0005	±0.0127	F.M.F.	REV.	DRAWING NO.

THIS DRAWING IN DESIGN AND DETAIL IS OUR PROPERTY AND MUST NOT BE USED EXCEPT IN CONNECTION WITH OUR WORK ALL RIGHTS OF DESIGN AND INVENTION ARE RESERVED THIS IS AN ELECTRONICALLY GENERATED DOCUMENT - DO NOT SCALE THIS PRINT