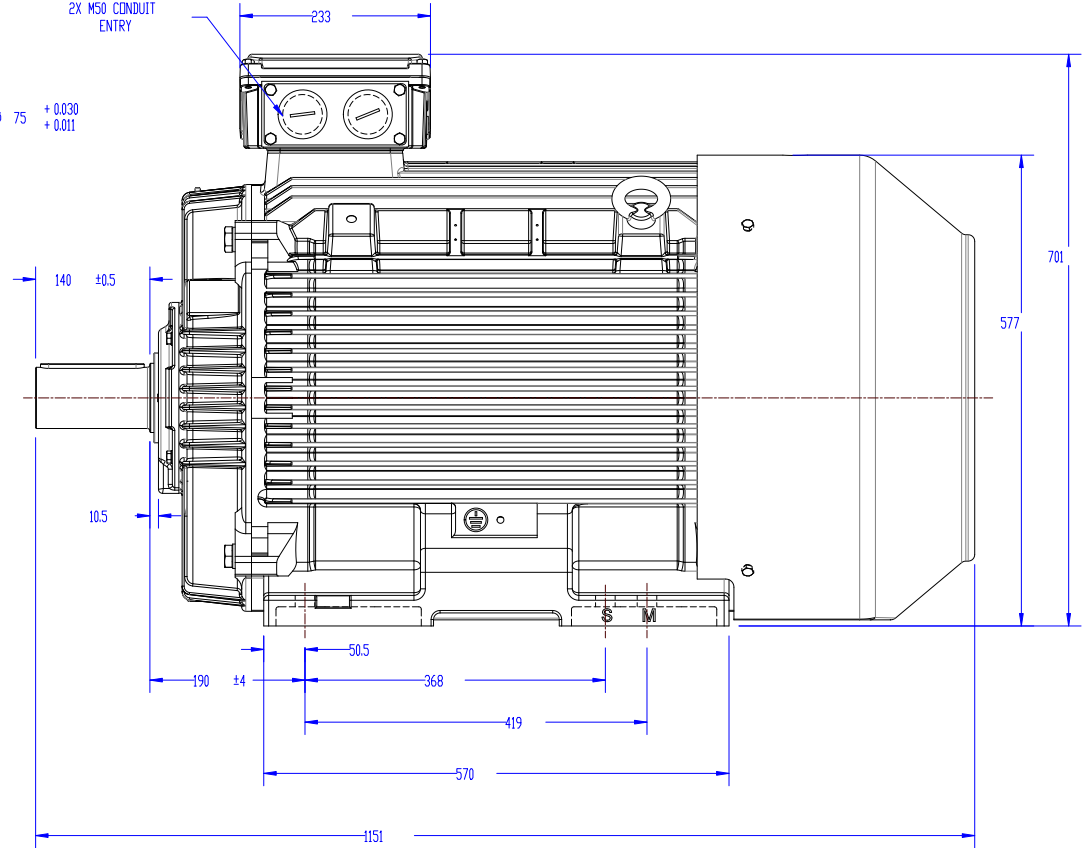
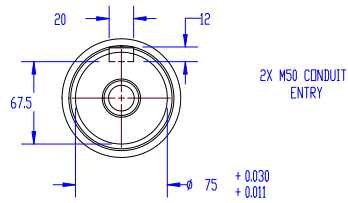
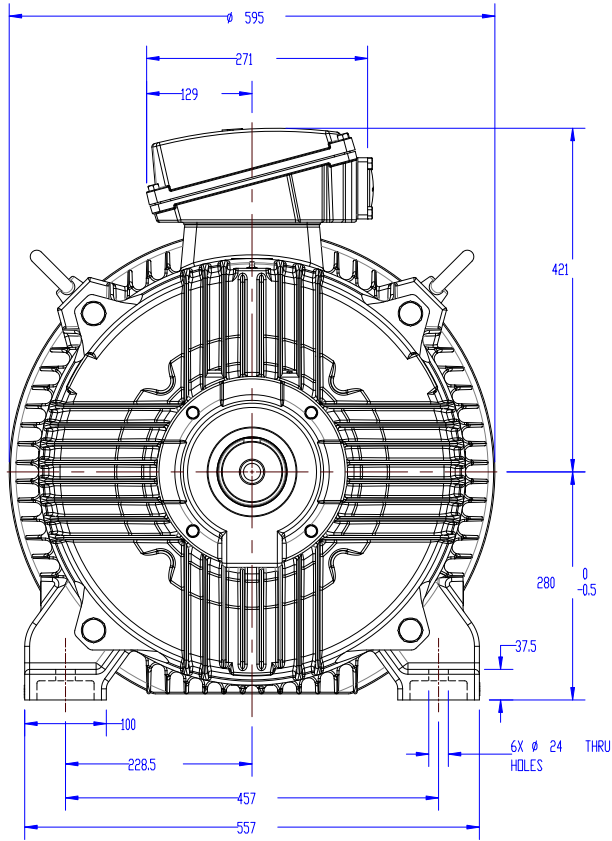


# OUTLINE



DRAWING REVISION	REVISION BY	DATE		DRAWN BY	<b>marathon</b> Motors		
ECD	APPROVED BY	DATE		JOY DATE 18/07/2014 APPROVED BY SBD DATE 18/07/2014			
ECC DESCRIPTION				REFERENCE THIRD ANGLE PROJECTION	MATERIAL PROCESS/FINISH		
<small>                             COPYRIGHT REGAL BELLET AMERICA, INC. ALL RIGHTS RESERVED.                              PROPRIETARY AND CONFIDENTIAL INFORMATION - THIS DOCUMENT IS THE PROPERTY OF                              REGAL BELLET AMERICA, INC. (RBA) AND CONTAINS OWNERS PROPRIETARY                              INFORMATION. ANY PERSON, CORPORATION OR OTHER FROM RECEIVING IT IS BEHELD                              BY RECEIVING IT, TO AGREE THAT IT, AND/OR ANY PART OF IT, SHALL NOT BE DISCLOSED                              TO ANY PERSON, CORPORATION OR OTHER ENTITY, UNLESS SUCH DISCLOSURE IS                              EXPRESSLY APPROVED IN WRITING IN ADVANCE BY OWNER. THIS DOCUMENT SHALL                              BE RETURNED TO OWNER UPON REQUEST. IT MAY BE SUBJECT TO CERTAIN                              RESTRICTIONS UNDER APPLICABLE EXPORT CONTROL LAWS AND REGULATIONS.                         </small>				SIZE B DRAWING NUMBER 0228000589	SHEET 1 OF 1		