



Desoutter Eastern Europe
Part of SAS Etablissement Georges Renault
Chemická 1, 831 04 Bratislava, Slovakia www.desouttertools.eu

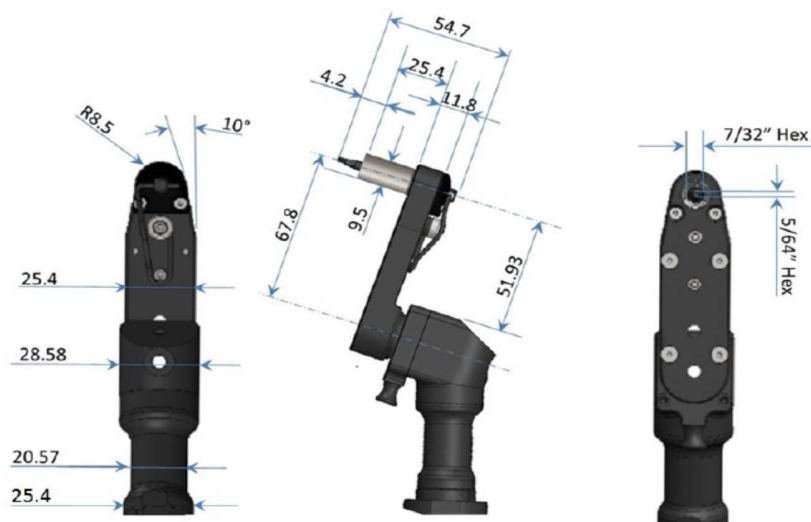
Our ref: EMA 1110 v 2 11.10. 2016
(Thanks to call back this reference on your order)

Hello,

Further to your enquiry, please find enclosed our best offer to cover the requirements for the application.

1 Description:

Clutch battery tool with the following offset head plus optional charger cabinets: for 4 or 20 tools chargers (chargers included)



Complete tool overview:



Remark: The offset head proposed would be suitable for applications up to 9.5 Nm (i.e. up to code diameter 3a)
Only the socket and the hex key would need to be modified.

2 Scope of supply:

Desoutter tool P/N	Fastener	Diameter Code	Torque / Shear	Min Torque (Nm)	Nominal Torque (Nm)	Max Torque (Nm)	Free speed
STHxxx1	EN6115/ABS1738	3	Torque	4.4	5	5.8	275
STHxxx2	EN6115/ASNA2528	2	Torque	1.5	1.8	2.1	150
STHxxx3	EN6115/ASNA2536 & ASNA2528	2	Shear	9.5			150
STHxxx4	EN6115/ASNA2536	2	Torque	2.2	2.5	2.8	150
STHxxx5	EN6115/ASNA2536	3	Torque	3.7	4.2	4.8	275
STHxxx6	EN6115/ASNA2536 & ASNA2528	3	Shear	9.5			275

Plus

Part Nb	Description	Qty
6158120990	BATTERY PACK DESOUTTER 18V 2,1AH	6
6158116545	CHARGER ALL IN ONE 18/36V + POWER CORD	0
6153968710	COVER PROTECTION BATTERY 18V 2.1Ah CLEAR	6