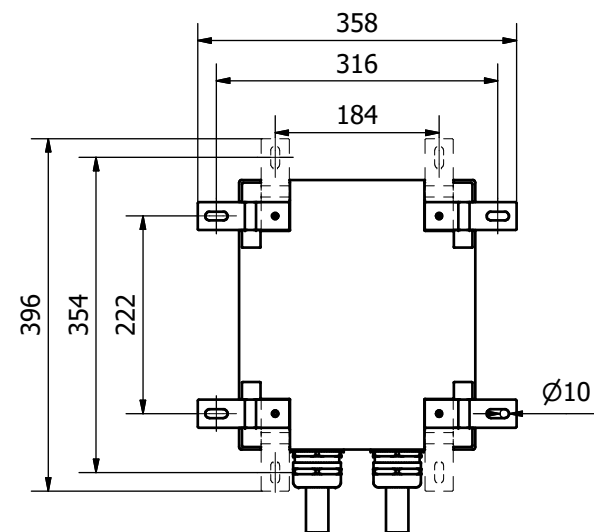


**BOX FIXING DIMENSIONS**



ITEM	QTY	DESCRIPTION	MATERIAL
1	1	Insulating plate	Glass fiber
2	2	Insulating spacer	Glass fiber
3	2	Locking nut	Tinned Copper
4	1	Earthing link (40x8)	Tinned Copper
5	1	Cabinet	Polyester
6	2	Cable lug	Brass
7	2	Cable gland	Nikel-plate brass

**NOTE**

- Dimension in mm
- Protection class IP65
- Approx weight 6 kg
- Suitable for wall installation

**PFISTERER**

TITLE:

LB.W.P.8.1.S1.E1

DESCRIPTION:

Earthing bonding link box

DRAWING NUMBER: REV.: DATE: DRAWN: PAGE:

PRG-2009-10 01 19/02/2014 D.M. 1/1