

## Directional valves ▶ Mechanically operated

### 5/2-directional valve, Series ST

▶ With spring return ▶ Qn= 280 l/min ▶ pipe connection ▶ compressed air connection output: G 1/8



00108065

Version	Spool valve not lockable
Sealing principle	metal/metal sealing
Working pressure min./max.	-0.95 bar / 10 bar
Ambient temperature min./max.	-15°C / +80°C
Medium temperature min./max.	-15°C / +80°C
Medium	Compressed air
Max. particle size	5 µm
Oil content of compressed air	5 mg/m³ - 25 mg/m³
Mounting screw	M4 with hexagon socket
Mounting screw tightening torque	2.5 Nm
Materials:	
Housing	Stainless steel, hardened

#### Technical Remarks

- Notice: This product may only be operated with oiled compressed air.

	Actuating element	Compressed air connection			Qn	Actuating force Min.	Actuating torque Min.	Part No.
		Input	Output	Exhaust				
					[l/min]	[N]	[Nm]	
	Plunger	G 1/8	G 1/8	G 1/8	280	11	-	<b>0820403001</b>
	Roller	G 1/8	G 1/8	G 1/8	280	6.5	-	<b>0820403002</b>
	Roller lever, one-way trip	G 1/8	G 1/8	G 1/8	280	6.5	-	<b>0820403003</b>
	Push button	G 1/8	G 1/8	G 1/8	280	6.5	-	<b>0820403004</b>
	Lever	G 1/8	G 1/8	G 1/8	280	-	0.02	<b>0820403005</b>
	Roller with single-action lever	G 1/8	G 1/8	G 1/8	280	10	-	<b>0820403016</b>
	Roller with articulated lever	G 1/8	G 1/8	G 1/8	280	25	-	0820403017
	Plunger	G 1/8	G 1/8	G 1/8	280	5	-	<b>0820403019</b>
	panel installation	G 1/8	G 1/8	G 1/8	280	11	-	<b>R422002213</b>

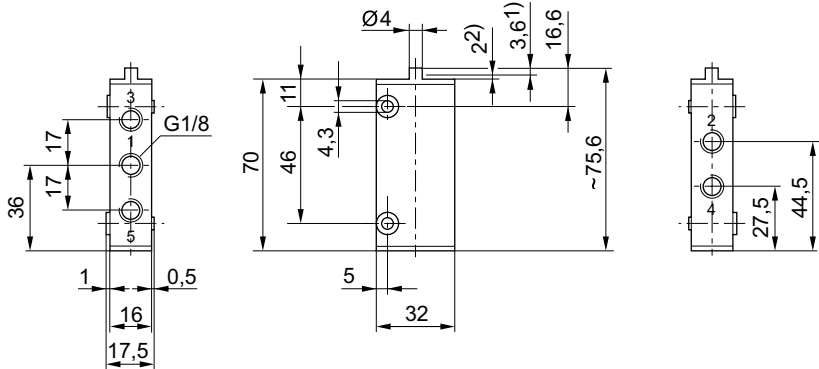
**5/2-directional valve, Series ST**

▶ With spring return ▶ Qn= 280 l/min ▶ pipe connection ▶ compressed air connection output: G 1/8

Part No.	Material: Actuating control	Weight	Fig.	Note
		[kg]		
<b>0820403001</b>	Stainless steel	0.22	Fig. 1	-
<b>0820403002</b>	Polyoxymethylene	0.23	Fig. 2	-
<b>0820403003</b>	Polyoxymethylene	0.23	Fig. 3	-
<b>0820403004</b>	Polyamide	0.23	Fig. 4	-
<b>0820403005</b>	Polyamide	0.22	Fig. 5	-
<b>0820403016</b>	Polyoxymethylene	0.34	Fig. 6	-
0820403017	Polyoxymethylene	0.34	Fig. 7	-
<b>0820403019</b>	Stainless steel	0.22	Fig. 8	-
<b>R422002213</b>	Polyoxymethylene	0.22	Fig. 9	1)

1) Please order control button separately.  
Nominal flow Qn at 6 bar and Δp = 1 bar

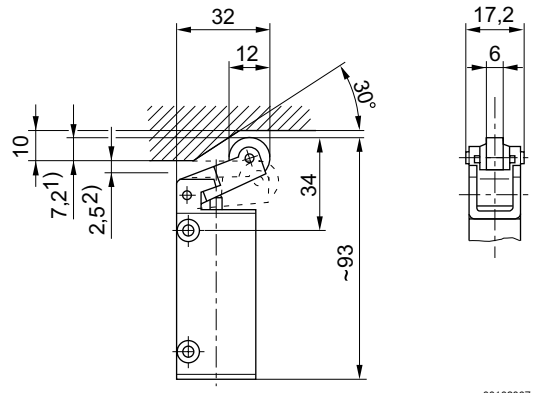
**Dimensions, Fig. 1, Basic valve**



00108066

1) Actuating stroke 2) overstroke  
connection via 2 through-holes in housing  
Dimensions of basic valve apply to all types of actuation.

**Dimensions, Fig. 2**



00108067

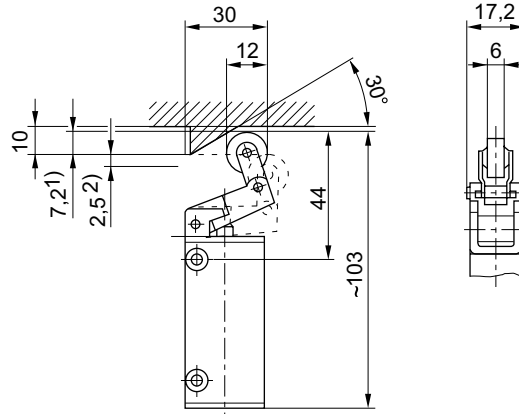
1) Actuating stroke 2) overstroke  
connection via 2 through-holes in housing

Directional valves ▶ Mechanically operated

**5/2-directional valve, Series ST**

▶ With spring return ▶ Qn= 280 l/min ▶ pipe connection ▶ compressed air connection output: G 1/8

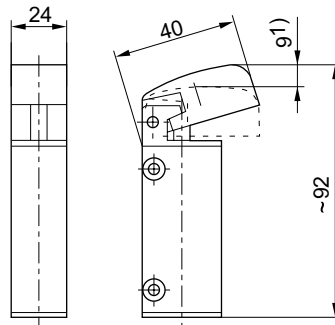
Dimensions, Fig. 3



00108068

1) Actuating stroke 2) overstroke  
connection via 2 through-holes in housing

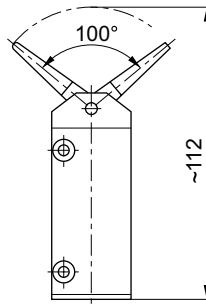
Dimensions, Fig. 4



00108069

1) actuating stroke  
Mounting via 2 through-holes in housing

Dimensions, Fig. 5



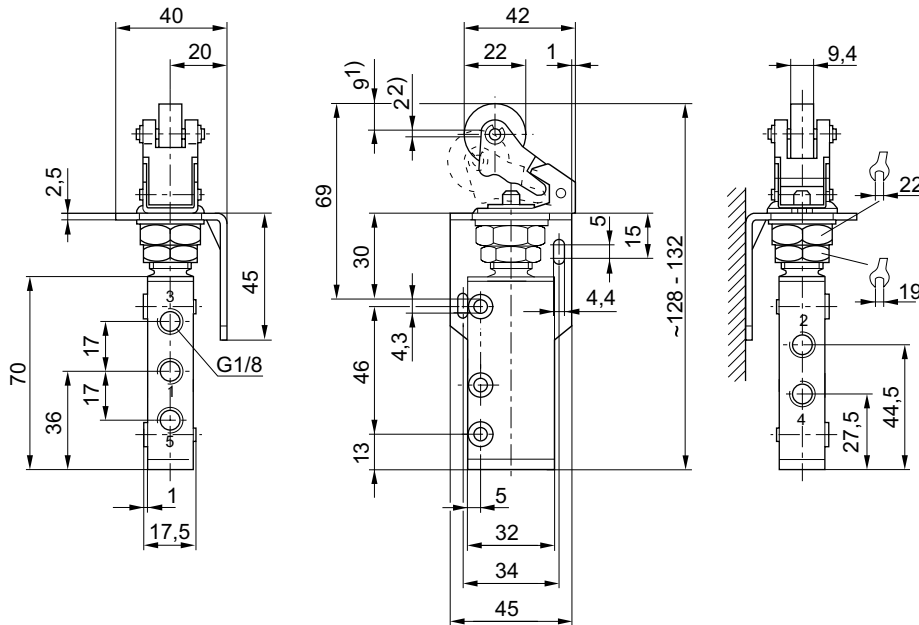
00108070

Mounting via 2 through-holes in housing

### 5/2-directional valve, Series ST

▶ With spring return ▶  $Q_n = 280 \text{ l/min}$  ▶ pipe connection ▶ compressed air connection output: G 1/8

Dimensions, Fig. 6

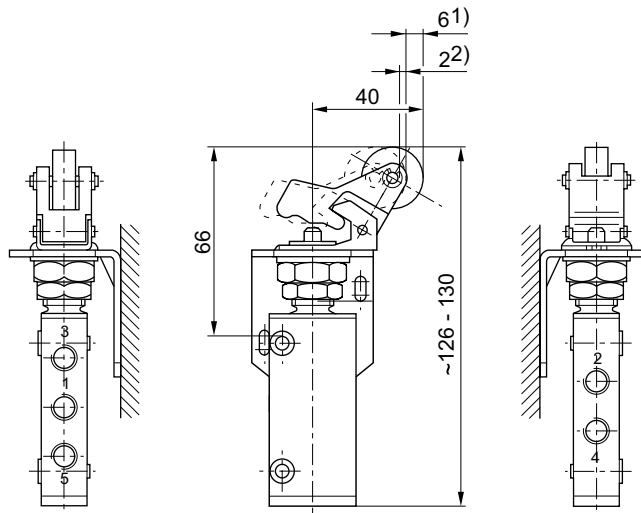


00108072

1) actuating stroke 2) overstroke

Can be adjusted by  $90^\circ$ , thereby providing 4 different angles of approach.

Dimensions, Fig. 7



00108073

1) actuating stroke 2) overstroke

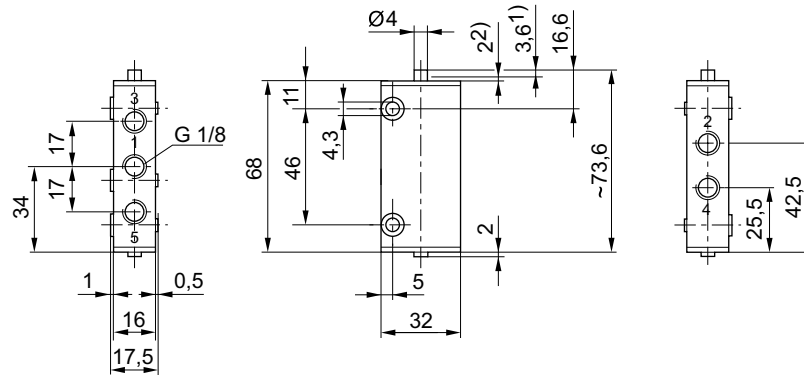
Can be adjusted by  $90^\circ$ , thereby providing 4 different angles of approach.

**Directional valves ▶ Mechanically operated**

**5/2-directional valve, Series ST**

▶ With spring return ▶ Qn= 280 l/min ▶ pipe connection ▶ compressed air connection output: G 1/8

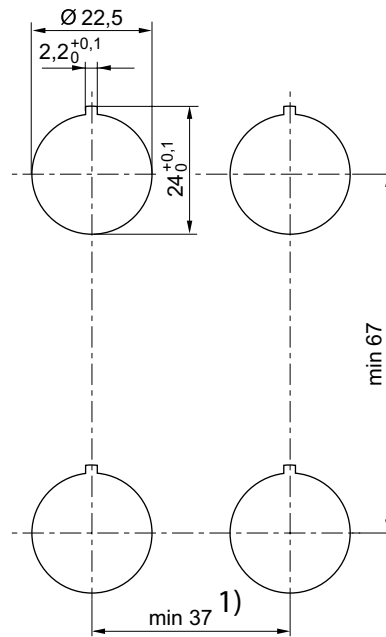
**Dimensions, Fig. 8**



00130355

1) actuating stroke 2) overstroke  
connection via 2 through-holes in housing. If the plunger is displaced all the way to the housing cover, the actuating stroke changes from 3.6 to 5.6 mm.

**Dimensions, Fig. 9**

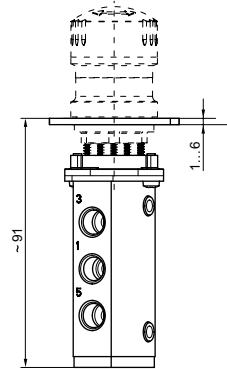


00136386

**5/2-directional valve, Series ST**

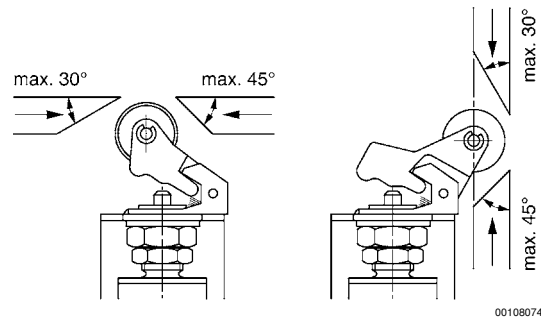
 ▶ With spring return ▶  $Q_n = 280$  l/min ▶ pipe connection ▶ compressed air connection output: G 1/8

Overview drawing, Fig. 9



00136368\_a

angle of approach for 0820403016 and 0820403017



00108074