

Customer	Date	2017-05-10
Contact	Project	
Phone number	Project no.	
Email		

66SV4G220T

101684111

Operating data

Pumpe type	Single head pump	Fluid	Water, pure
No. of pumps / Reserve	1 / 0	Operating temperature t A	°C 4
Nominal flow	m ³ /h 0	pH-v value at t A	7
Nominal head	m 0	Density at t A	kg/dm ³ 1
Static head	m 0	Kin. viscosity at t A	mm ² /s 1.569
Inlet pressure	bar 0.098	Vapor pressure at t A	bar 0.0234
Environmental temperature	°C 20	Solids	0
Available system NPSH	m 0	Altitude	m 1000

Pump data

Make	Lowara	Nominal	m ³ /h ()
Speed	1/min 2900	Flow	Max- m ³ /h 84.9
Number of stages	4		Min- m ³ /h
Max. casing pressure	bar	Nominal	m
Max. working pressure	bar 11.9	Head	at Qmax m 70.7
Head H(Q=0)	m 120		at Qmin m 121.6
Weight	kg 214	Shaft power	kW ()
	Max. mm 149	Max. shaft power	kW 21.9
Impeller R	designed mm 149	Efficiency	%
	Min. mm 149	NPSH 3%	m

Pump Materials

Pump body	Cast iron
Lower support	Cast iron
impeller	Stainless steel / AISI 316L
Diffuser	Stainless steel / AISI 304
Outer sleeve	Stainless steel / AISI 304
Shaft	Stainless steel / AISI 431
Adapter	Cast iron
Wear ring	Technopolymer PPS
Coupling	Cast iron
Upper head	Cast iron
Seal casing	Cast iron
Mechanical seal	Silicon carbide / EPDM
Elastomers	EPDM
Coupling protection	Stainless steel / AISI 304
Shaft sleeve and bushing	Tungsten carbide

Shaft Seal

Single seal	Roten
SV - Uniten	
Rotating Assembly	Q1-Silicon carbide
Fixed Assembly	B-Resin impregnated carbon
Elastomers	E - EPDM
Springs	G-AISI 316
Other Components	G-AISI 316

Motor data

Manufacturer	Lowara	Electric voltage	400 V	Speed	2955 1/min	Insulation class	F
Specific design	IE3 Three phase surface motor			Frame size	160	Colour	RAL 5010
Type	PLM160.../3220 E3	Electric current	40.4 A				
Rated power	22 kW	Degree of protection	IP 55				

Remarks:

Customer	Date	2017-05-10
Contact	Project	
Phone number	Project no.	
Email		

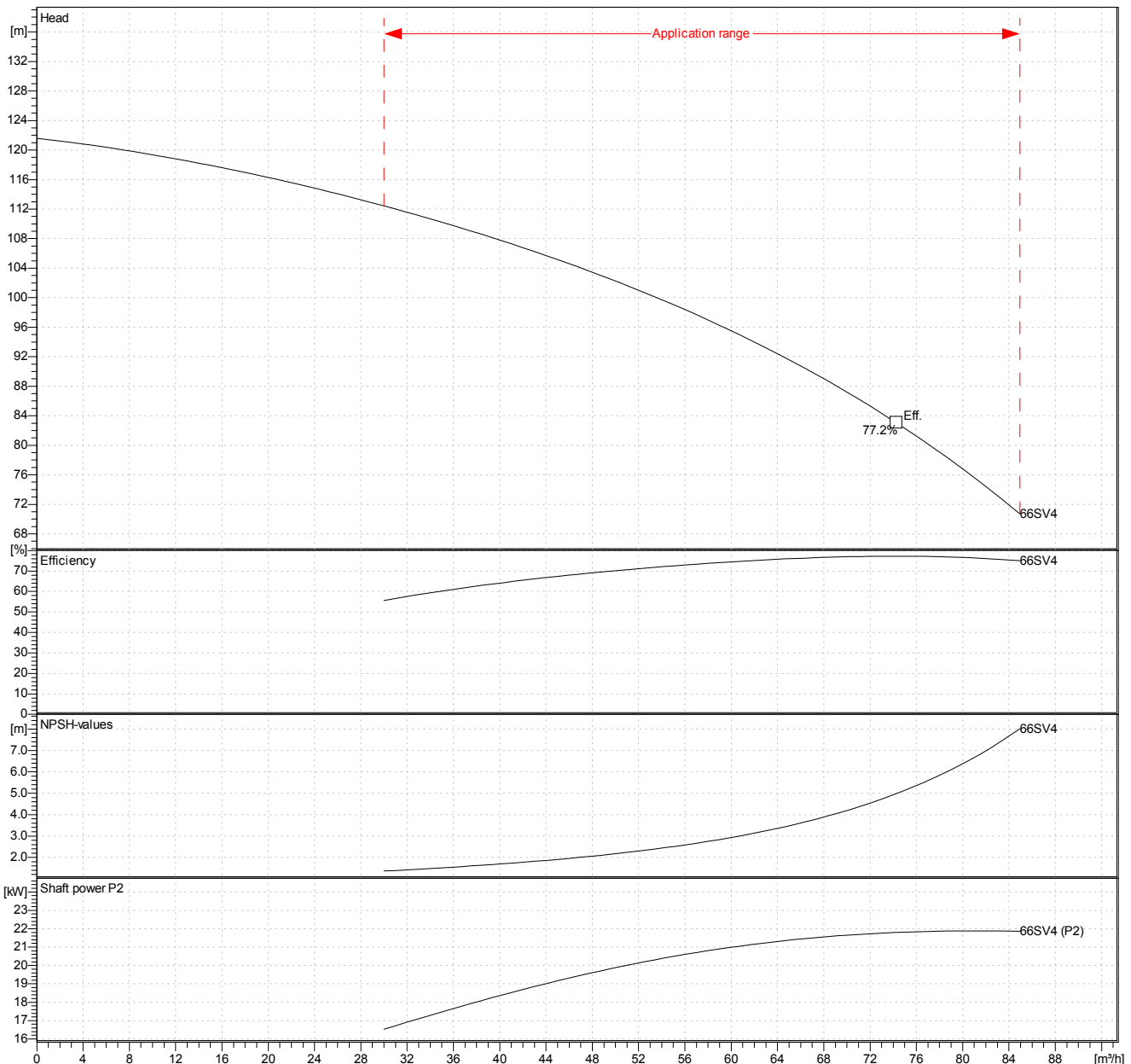
66SV4G220T

101684111

Hydraulic data

Operating Data Specification		Hydraulic data (duty point)		Impeller design	
Flow	0 m ³ /h	Flow		Impeller R	149 mm
Head	0 m	Head		Frequency	50 Hz
Static head	0 m	MEI $\geq 0,7$		Speed	2900 1/min

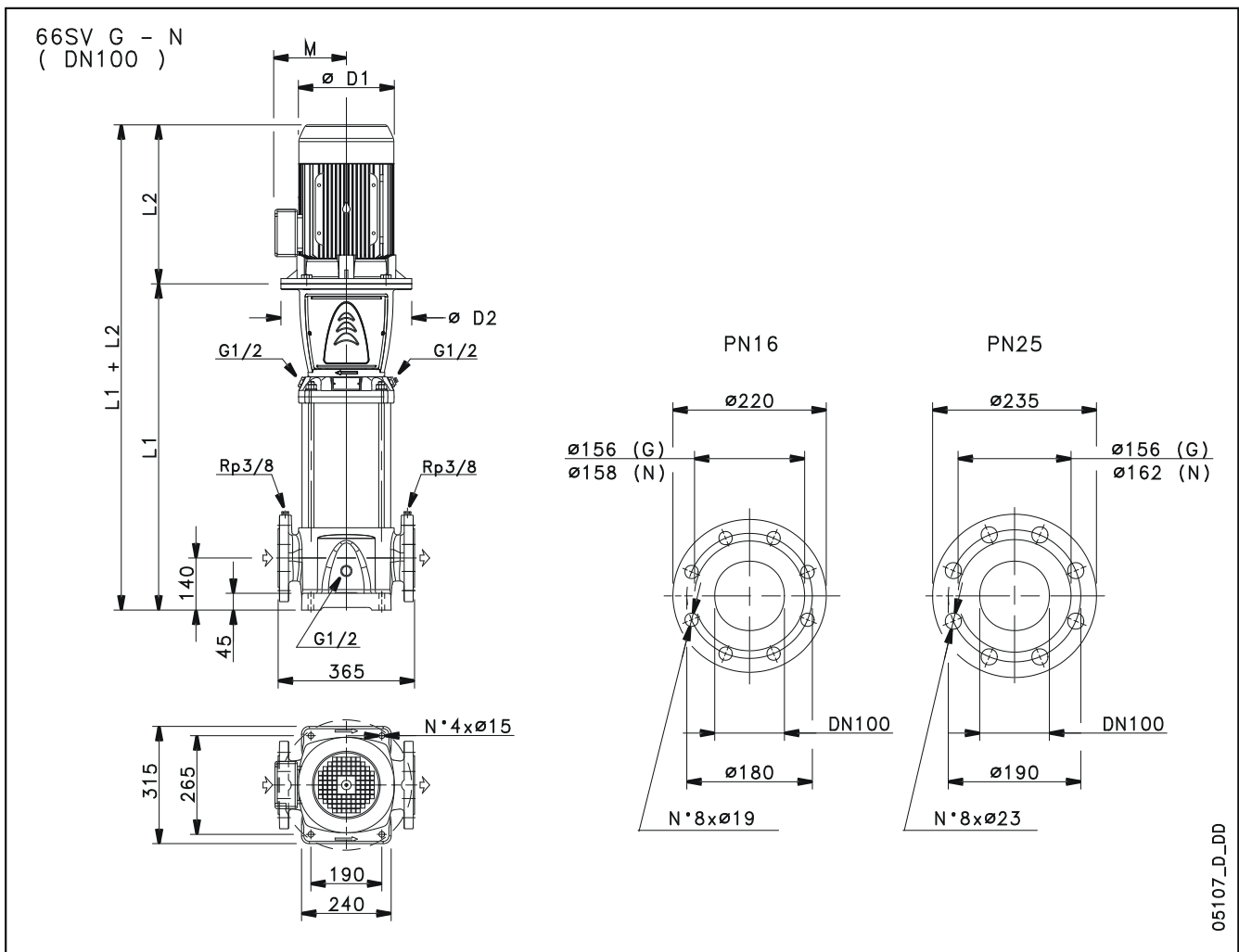
Power data referred to:
Water, pure [100%] ; 4°C; 1kg/dm³; 1.57mm²/s
Performance according to ISO 9906 - Annex A



Customer	Date	2017-05-10
Contact	Project	
Phone number	Project no.	
Email		

66SV4G220T
101684111

Drawing



Dimensions mm

D1	313					Weight 214 kg
D2	350					
L1	879					
L2	494					
M	240					