

# Spectra® IV SE Series Dome Systems

## PREMIER INTEGRATED DOME SYSTEM

### Product Features

- 3 Autofocus, High Resolution Integrated Camera/Optics Packages; Multiple Back Box Models
- Day/Night, 540 TVL, 128X Wide Dynamic Range (WDR), Motion Detection, and Electronic Image Stabilization (SD435 Series)
- Day/Night, 470 TVL, 80X Wide Dynamic Range, and Motion Detection (SD4CBW Series)
- Window Blanking
- Camera Title Overlay, 20 User-Definable Characters
- Horizontal and Zone Blanking
- On-Screen Compass and Tilt Display
- Password Protection
- Freeze Frame During Presets
- Built-in Surge and Limited Lightning Protection
- Integrated Passive Unshielded Twisted Pair (UTP) Circuit

### Modularity

Spectra® IV SE was designed with ease of installation and ease of maintenance in mind. Each dome system consists of three components: a back box, a dome drive, and a lower dome. These three system components are interchangeable with other Spectra IV SE dome systems, making retrofitting and application adjustments simple. Also, dome drives and lower domes can be removed and replaced reducing maintenance time.

### Back Box

Spectra IV SE back box options include the following models: environmental in-ceiling (ideal for outdoor soffits), indoor in-ceiling, indoor surface mount, standard and environmental pendant, heavy-duty, pressurized, and stainless steel. Each back box model features built-in **back box memory** to store camera and location-specific dome settings, including labels, presets, patterns, and zones. A **passive UTP circuit** is located on the door assembly for convenient video transmission through twisted pair wire. For added flexibility, Pelco fiber modules can also be attached to the door assembly for transmission over single-mode or multimode fiber.

### Dome Drive

The Spectra IV SE dome drive's unique **integrated optics package** incorporates many advanced features that allow the system to produce high quality video in the most difficult environments. All cameras in Spectra IV SE dome drives feature **LowLight™** technology allowing the cameras to compensate for scenes where minimal light is present. The **35X day/night camera** features built-in motion detection and advanced **128X wide dynamic range** that enables the system to compensate for scenes where dramatic contrasts in lighting are present. **Electronic image stabilization** digitally reduces blurring of the camera image due to vibration caused by external sources such as wind and traffic. The 23X day/night camera features built-in motion detection and 80X wide dynamic range. The 22X color camera features an EXview HAD™ imager for increased sensitivity.



**SURFACE MOUNT MODEL  
SD435-SMW-0**



**PENDANT MODEL  
SD4CBW-PG-0**

- Internal Scheduling Clock
- Ability to Add IP Network Capability by Purchasing Optional TXB-IP Module

### Lower Dome

Special consideration was taken when designing the Spectra IV SE lower dome bubble to ensure that an optimal optical relationship between the lens and bubble was achieved, providing crystal clear video at long focal lengths.

### Dome Systems

Spectra IV SE dome systems feature many software enhancements that increase performance and make programming and operation easy. An **internal scheduling clock** allows for the scheduling of presets and patterns. **Window blanking** enables a user to program up to eight, four-sided, user-defined privacy areas. **Password protection** prevents unauthorized users from changing the system settings. Programmable **on-screen compass and tilt display** provides positioning information when needed. Intuitive multilingual on-screen programming can be displayed in English, Spanish, Portuguese, Italian, French, German, Russian, Polish, Turkish, and Czech.

Spectra IV SE's variable speed capabilities range from a smooth, fast pan motion of 400 degrees per second to a smooth "creep" speed of 0.1 degree per second. The system is capable of continuous 360 degrees rotation and has an **"auto flip"** feature that allows the dome to rotate 180 degrees and reposition itself for uninterrupted viewing of any subject that passes directly beneath the dome.

In addition, with the optional Pelco TXB-IP module, you can add IP network capability at any time to a Spectra IV dome system without losing analog viewing and control. By snapping the TXP-IP module into the back box, you can stream network video to a Web browser, Endura®, Integral Digital Sentry®, or third party software recording solution allowing integration into virtually any IP-based system.



C2448 / REVISED 7-11-08

IP66



U.S. Patents 5,931,432; 6,793,415 B2; 6,802,656 B2; 6,821,222 B2; 7,161,615 B2

International Standards  
Organization Registered Firm;  
ISO 9001 Quality System



# TECHNICAL SPECIFICATIONS

## CAMERA/OPTICS

	Day/Night (35X)	Day/Night (23X)	Color (22X)
Signal Format	NTSC ( <b>DD4CBW35</b> ) PAL ( <b>DD4CBW35-X</b> )	NTSC ( <b>DD4CBW23</b> ) PAL ( <b>DD4CBW23-X</b> )	NTSC ( <b>DD4C22</b> ) PAL ( <b>DD4C22-X</b> )
Scanning System	2:1 Interlace	2:1 Interlace	2:1 Interlace
Image Sensor	1/4-inch EXview HAD™	1/4-inch EXview HAD	1/4-inch EXview HAD CCD
Effective Pixels	768 (H) X 494 (V) 752 (H) X 582 (V)	724 (H) X 494 (V) 724 (H) X 582 (V)	768 (H) X 494 (V) 752 (H) X 582 (V)
Horizontal Resolution	>540 TV Lines >540 TV Lines	>470 TV Lines >470 TV Lines	>470 TV Lines >460 TV Lines
Lens	f/1.4 (focal length, 3.4~119 mm)	f/1.6 (focal length, 3.6~82.8 mm)	f/1.6 (focal length 4~88 mm)
Zoom	35X optical, 12X digital	23X optical, 12X digital	22X optical, 12X digital
Zoom Speed (optical range)	3.2/4.6/6.6 seconds	2.9/4.2/5.8 seconds	2.4/3.9/6.3 seconds
Horizontal Angle of view	55.8° at 3.4 mm wide zoom; 1.7° at 119 mm telephoto zoom	54° at 3.6 mm wide zoom; 2.5° at 82.8 mm telephoto zoom	47° at 4.0 mm wide zoom; 2.2° at 88 mm telephoto zoom
Focus	Automatic with manual override	Automatic with manual override	Automatic with manual override
Maximum Sensitivity @ 35 IRE	0.55 lux at 1/60 sec ( <b>color</b> ) 0.063 lux at 1/4 sec ( <b>color</b> ) 0.00018 lux at 1/2 sec ( <b>B-W</b> )	0.08 lux at 1/2 sec ( <b>color</b> ) 0.3 lux at 1/60 sec ( <b>B-W</b> ) 0.013 lux at 1/2 sec ( <b>B-W</b> )	0.02 lux at 1/2 sec shutter
NTSC/EIA	0.55 lux at 1/50 sec ( <b>color</b> ) 0.063 lux at 1/3 sec ( <b>color</b> ) 0.00018 lux at 1/1.5 sec ( <b>B-W</b> )	0.08 lux at 1/1.5 sec ( <b>color</b> ) 0.3 lux at 1/50 sec ( <b>B-W</b> ) 0.013 lux at 1/1.5 sec ( <b>B-W</b> )	0.02 lux at 1/1.5 sec shutter
PAL/CCIR			
Sync System	Internal/AC line lock, phase adjustable using remote control, V-Sync	Internal/AC line lock, phase adjustable using remote control, V-Sync	Internal/AC line lock, phase adjustable using remote control, V-Sync
White Balance	Automatic with manual override	Automatic with manual override	Automatic with manual override
Shutter Speed	Automatic (electronic iris)/Manual 1/2 ~1/30,000 1/1.5 ~1/30,000	Automatic (electronic iris)/Manual 1/2 ~1/30,000 1/1.5 ~1/30,000	Automatic (electronic iris)/Manual 1/2 ~1/30,000 1/1.5 ~1/30,000
NTSC			
PAL			
Iris Control	Automatic Iris Control with manual override	Automatic Iris Control with manual override	Automatic Iris Control with manual override
Gain Control	Automatic/OFF	Automatic/OFF	Automatic/OFF
Video Output	1 Vp-p, 75 ohms	1 Vp-p, 75 ohms	1 Vp-p, 75 ohms
Video Signal to Noise	>50 dB	>50 dB	>50 dB
Wide Dynamic Range	128X	80X	—
Electronic Image Stabilization	Integrated	—	—
Image Enhancement	Integrated	—	—

# TECHNICAL SPECIFICATIONS

## DOMES DRIVE FEATURES

- 256 Presets
- $\pm 0.1^\circ$  Preset Accuracy
- Electronic Image Stabilization (35X model)
- Image Enhancement (35X model)
- Multilingual Menus (English, Spanish, Portuguese, Italian, French, German, Russian, Polish, Turkish, and Czech)
- RJ-45 Data Port for Software Update and Setup
- On-Screen Compass, Tilt, and Zoom Display
- $400^\circ/\text{sec}$  Pan Preset Speed and  $200^\circ/\text{sec}$  Tilt Preset Speed
- Rotating Discreet Liner with Sealed Fixed Bubble
- Window Blanking: Up to 8, Four-Sided, User-Defined Shapes
- 8 Zones (programmable in size) Can Be Labeled with up to 20 Characters Each or Set to Output Blank Video
- 7 Alarm Inputs
- 1 Auxiliary (Form C) Relay Output and 1 Open Collector Auxiliary Output (can be alternately programmed to operate upon alarm)
- Programmable Locations of Labels and On-Screen Displays
- Action on Alarm: Alarms Can Be Individually Programmed for 3 Priority Levels, to Initiate a Stored Pattern, or to Go to an Associated Preset When Received
- Resume After Alarm: Allows the Dome to Return to a Previously Programmed State After Alarm Acknowledgement or to its Previous Position Before Alarm
- Multiple Park and Power-Up Action
- Patterns: Up to 8, On-Screen, User-Defined Programmable Patterns; Includes Pan, Tilt, Zoom, and Preset Functions
- Proportional Pan/Tilt: Continually Decreases Pan/Tilt Speeds in Proportion to Depth of Zoom
- Variable Scan Speed: Scan Speed Can Be Programmable Between  $1-40^\circ/\text{sec}$
- Pan Motion Allows  $0.1-150^\circ/\text{sec}$  Pan Speed
- Programmable Limit Stops for Auto/Random/Frame Scan Modes
- Auto-sensing Protocol (Coaxitron<sup>®</sup>, RS-422 P and D); Accepts Competitive Control Protocol with Optional Translator Card
- Digital Position and Zoom Control and Feedback through D Protocol
- Built-in Menu System for Setup of Programmable Functions
- "Auto Flip" Rotates Dome  $180^\circ$  at Bottom of Tilt Travel
- Programmable Zoom Speeds

### WINDOW BLANKING

Window blanking allows a user to program up to eight, four-sided, user-defined areas that cannot be viewed by the operator of the dome system. A blanked area will move with pan and tilt functions and automatically adjust in size as the lens zooms telephoto and wide.



BEFORE



AFTER



BEFORE



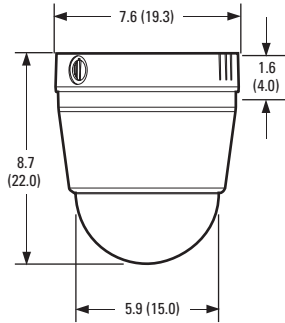
AFTER

### WIDE DYNAMIC RANGE

The Wide Dynamic Range (WDR) setting balances the brightest and darkest sections of a scene to produce a picture that provides more detail.

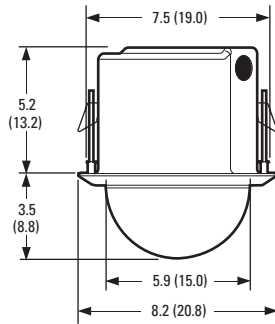
# TECHNICAL SPECIFICATIONS

## BACK BOX FEATURES



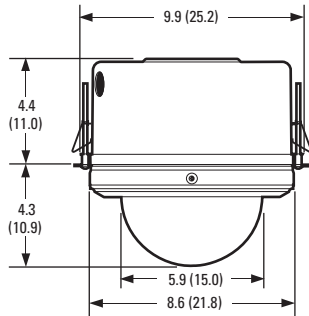
### Surface Mount (Indoor)

- Built-in Memory Stores Camera/Dome Settings
- Available in Black or White Finish
- Quick Disconnect to Dome Drive
- Injection-Molded Plastic
- Integrated Passive UTP



### In-Ceiling (Indoor)

- Built-in Memory Stores Camera/Dome Settings
- Single Back Box for Suspended or Hard Ceiling Applications
- Requires 5.25-Inch Space Above Ceiling and 3.25 Inches Below
- Minimum Ceiling Thickness 0.5-Inch; Maximum 1.75 Inches
- Quick Disconnect to Dome Drive
- Aluminum Construction
- Suitable for Use in Environmental Air Handling Spaces
- Integrated Passive UTP

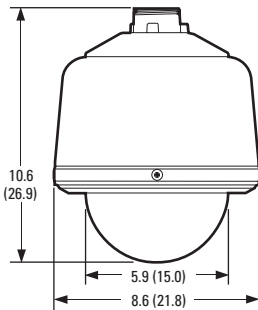


### Environmental In-Ceiling

- Built-in Memory Stores Camera/Dome Settings
- Single Back Box for Hard Ceiling Applications
- Requires 4.4-Inch Space Above Ceiling and 4.3 Inches Below
- Includes Heater and Fan
- Minimum Ceiling Thickness 0.5-Inch; Maximum 1.75 Inches
- Quick Disconnect to Dome Drive
- Aluminum Construction
- Integrated Passive UTP



(ENVIRONMENTAL DOME WITH SUN SHROUD SHOWN)



### Standard and Environmental Pendant

- Standard and Environmental Models
- Built-in Memory Stores Camera/Dome Settings
- Standard Pendant Available in Black or Gray Finish; Environmental Pendant Gray Finish Only
- Quick Disconnect to Dome Drive
- Aluminum Construction
- Environmental Model Includes Sun Shield, Fan, and Heater
- Integrated Passive UTP

NOTE: VALUES IN PARENTHESES ARE CENTIMETERS; ALL OTHERS ARE INCHES.

# TECHNICAL SPECIFICATIONS

## MECHANICAL *(Dome Drive Only)*

Pan Movement	360° continuous pan rotation
Vertical Tilt	Unobstructed +2° to -92°
Manual Pan/Tilt Speeds	
Pan	0.1° to 80°/sec manual operation, 150°/sec Turbo
Tilt	0.1° to 40°/sec manual operation
Preset Speeds	
Pan	400°/sec
Tilt	200°/sec
	For variable-speed operation an appropriate controller is required. (With non-variable speed control, Spectra IV SE pan/tilt speed is 20°/sec)

## ELECTRICAL

Input Voltage	18 to 32 VAC; 24 VAC nominal 22 to 27 VDC; 24 VDC nominal
Input Power	
24 VAC	23 VA nominal (without heater); 73 VA nominal (with heater)
24 VDC	0.7 A nominal (without heater); 3 A nominal (with heater)
Fuse	1.25 A
Auxiliary Outputs	2
Alarm Inputs	7

## CERTIFICATIONS/RATINGS/PATENTS

- CE, Class B
- FCC, Class B
- UL/cUL Listed
- S Mark for Argentina
- U.S. Patents 5,931,432; 6,793,415 B2; 6,802,656 B2; 6,821,222 B2; 7,161,615 B2

Meets the following standards:

- NEMA Type 4X, IP66 when installed properly (BB4-F-E, BB4-PB, BB4-PG, and BB4-PG-E)
- NEMA Type 1, IP40 (BB4-SMW, BB4-SMB and BB4-F)

## GENERAL

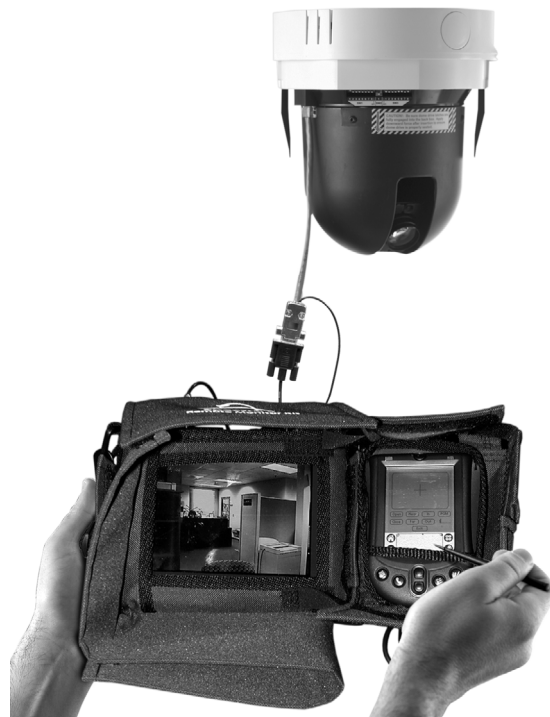
Construction		
Back Box		
Surface Mount	Plastic	
In-Ceiling	Aluminum	
Pendant	Aluminum	
Dome Drive	Aluminum, thermo plastic	
Bubble	Acrylic	
Light Attenuation		
Smoked	f/0.5 light loss	
Clear	Zero light loss	
Chrome	f/2.0 light loss	
Gold	f/2.0 light loss	
Cable Entry (Back Box)		
In-Ceiling and	0.75-inch conduit fitting	
Surface Mount	Through 1.5-inch NPT pendant mount	
Pendant		
Weight (approximate)	<u>Unit</u>	<u>Shipping</u>
Back Box		
Surface Mount	0.7 lb (0.32 kg)	2 lb (0.90 kg)
In-Ceiling	1.5 lb (0.68 kg)	2 lb (0.90 kg)
Environmental		
In-Ceiling	2.1 lb (0.95 kg)	3 lb (1.36 kg)
Standard Pendant	2.4 lb (1.09 kg)	4 lb (1.81 kg)
Environmental Pendant	3.5 lb (1.59 kg)	5 lb (2.27 kg)
Dome Drive	3.3 lb (1.48 kg)	5 lb (2.27 kg)
Lower Dome		
Surface Mount	0.4 lb (0.18 kg)	1 lb (0.45 kg)
In-Ceiling	0.2 lb (0.09 kg)	1 lb (0.45 kg)
Pendant and		
Environmental		
In-Ceiling	0.6 lb (0.27 kg)	2 lb (0.90 kg)
Environment		
Surface Mount	Indoor	
In-Ceiling	Indoor	
Environmental In-Ceiling	Outdoor	
Pendant, Standard		
and Environmental	Indoor/outdoor	
Operating Temperature		
Surface Mount and		
Indoor In-Ceiling	32° to 122°F (0° to 50°C)	
Standard Pendant	(Assumes no wind chill factor)	
Maximum	113°F (45°C) absolute maximum; 95°F (35°C) sustained maximum 25°F (-4°C) sustained minimum	
Minimum		
Environmental		
In-Ceiling and		
Environmental Pendant	(Assumes no wind chill factor)	
Maximum	140°F (60°C) absolute maximum; 122°F (50°C) sustained maximum	
Minimum	-60°F (-51°C) absolute minimum; prevents icing at sustained minimum of -50°F (-45°C); de-ices 0.1 inch (2.5 mm) within 3 hours after power-up	
Effective Projected Area (EPA)		20.5 square inches (without mount) 47 square inches (with IWM Series mount)

# RELATED PRODUCTS

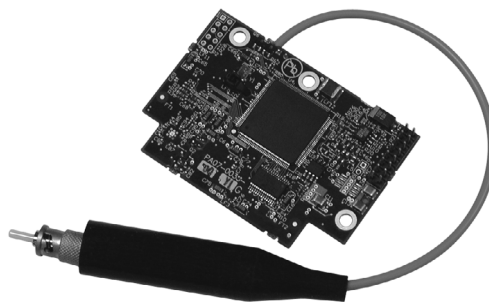
## OPTIONAL ACCESSORIES

- DD5-FM** Fixed camera mount adapter. Interchangeable with all Spectra IV dome drives.
- IPS-RMK** Remote monitor kit. Stand-alone kit consisting of a 5.6-inch TFT-LCD monitor, Palm™ OS compatible handheld, cables and carrying case. Allows viewing of camera video, local PTZ control, system setup, and system software upgrades at any installed dome.
- IPS-CABLE** Remote monitor cable and software kit consisting of the Spectra IV remote monitor interface cable and necessary software for use with a PC (Windows® 95, 98, Me, 2000), Palm™ OS compatible handheld or iPaq™ Series Pocket PC. Refer to [www.pelco.com](http://www.pelco.com) for a list of compatible devices.
- IPS-RDPE-2\*** Remote data port. 24 VAC, wall/pole mount video/data breakout box. Allows ground-level control/programming and Spectra IV OS software upgrades when used with the IPS-RMK or IPS-CABLE.
- TXB Series\*** Translator boards for AD™ Manchester, Hervis, Bosch® (Philips, Burle), Sensormatic®, Vicon™, TASS, and NTCIP protocols.
- TXB-IP Series\*** Communication module that allows you to control and monitor Spectra IV dome systems over an IP network (in-ceiling and pendant models only).
- FS85011A\*** Fiber transmitter sends one unidirectional composite video channel and one bidirectional data channel over one multimode or single-mode fiber optical cable.

\*If TXB or FS85011A boards are installed, remote upload of system software will not be possible.



**IPS-RMK REMOTE MONITOR KIT**



**FS85011A FIBER MODULE**

# RELATED PRODUCTS

## RECOMMENDED MOUNTS

### Surface Mount Domes

PASMB	Pendant adapter for surface mount dome, black
SD53SM-P	2' x 2' drop ceiling panel for BB4-SMW and BB4T-SMW series back boxes. Replaces 2' x 2' ceiling tile. Aluminum construction.

### In-Ceiling Domes

SD5-P	2' x 2' drop ceiling panel, aluminum construction. Replaces 2' x 2' ceiling tile.
SCA1	Support rails for BB4-F; for use in ceiling tile applications.

### Pendant Domes

BB5-PCA-BK <sup>†</sup>	Pendant conduit adapter, black
BB5-PCA-GY <sup>†</sup>	Pendant conduit adapter, gray
IWM Series	Wall mount, with or without integral 24 VAC, 100 VA transformer. Black or gray finish. Can be adapted for corner, parapet or pole applications.
MRCA	Ceiling mount, black
MRWA	Wall mount, black
PP4348	Parapet roof mount
PP350/PP351	Parapet wall/roof mount
SWM Series	Compact wall mount, black or gray finish. Can be adapted for corner or pole applications.

<sup>†</sup> Not suitable for use with heavy-duty, pressurized, or stainless steel Spectra domes.

## RECOMMENDED POWER SUPPLIES

MCS Series	Indoor, 24 VAC power supply
MCS*E Series	Indoor, 24 VAC power supply
WCS Series	Outdoor, 24 VAC power supply

*Refer to individual power supply specifications for more information.*

# SYSTEM AND COMPONENT MODELS

## SYSTEM MODEL NUMBERS

Type	Back Box Color	Lower Dome	35X Day/Night*	23X Day/Night*	22X Color*
Surface Mount	White	Smoked	SD435-SMW-0	SD4CBW-SMW-0	SD4C22-SMW-0
		Clear	SD435-SMW-1	SD4CBW-SMW-1	SD4C22-SMW-1
		Chrome	SD435-SMW-2	SD4CBW-SMW-2	SD4C22-SMW-2
		Gold	SD435-SMW-3	SD4CBW-SMW-3	SD4C22-SMW-3
	Black	Smoked	SD435-SMB-0	SD4CBW-SMB-0	SD4C22-SMB-0
		Clear	SD435-SMB-1	SD4CBW-SMB-1	SD4C22-SMB-1
		Chrome	SD435-SMB-2	SD4CBW-SMB-2	SD4C22-SMB-2
		Gold	SD435-SMB-3	SD4CBW-SMB-3	SD4C22-SMB-3
In-Ceiling, Indoor	Black	Smoked	SD435-F0	SD4CBW-F0	SD4C22-F0
		Clear	SD435-F1	SD4CBW-F1	SD4C22-F1
		Chrome	SD435-F2	SD4CBW-F2	SD4C22-F2
		Gold	SD435-F3	SD4CBW-F3	SD4C22-F3
In-Ceiling, Environmental <sup>1</sup>	Black	Smoked	SD435-F-E0	SD4CBW-F-E0	SD4C22-F-E0
		Clear	SD435-F-E1	SD4CBW-F-E1	SD4C22-F-E1
Pendant, Standard	Black	Smoked	SD435-PB-0	SD4CBW-PB-0	SD4C22-PB-0
		Clear	SD435-PB-1	SD4CBW-PB-1	SD4C22-PB-1
		Chrome	SD435-PB-2	SD4CBW-PB-2	SD4C22-PB-2
		Gold	SD435-PB-3	SD4CBW-PB-3	SD4C22-PB-3
	Lt. Gray	Smoked	SD435-PG-0	SD4CBW-PG-0	SD4C22-PG-0
		Clear	SD435-PG-1	SD4CBW-PG-1	SD4C22-PG-1
		Chrome	SD435-PG-2	SD4CBW-PG-2	SD4C22-PG-2
		Gold	SD435-PG-3	SD4CBW-PG-3	SD4C22-PG-3
Pendant, Environmental <sup>1</sup>	Lt. Gray	Smoked	SD435-PG-E0	SD4CBW-PG-E0	SD4C22-PG-E0
		Clear	SD435-PG-E1	SD4CBW-PG-E1	SD4C22-PG-E1

## COMPONENT MODEL NUMBERS

Back Box	Dome Drive*	Lower Dome <sup>2</sup>
BB4-SMB Surface mount, black	DD4C22 Color (NTSC) camera (22X)	LD53SMB-0 Smoked, surface, black
BB4-SMW Surface mount, white	DD4CBW23 Day/Night (NTSC) camera (23X)	LD53SMB-1 Clear, surface, black
BB4-F In-ceiling, black	DD4CBW35 Day/Night (NTSC) camera (35X)	LD53SMB-2 Chrome, surface, black
BB4-F-E In-ceiling, black, environmental	DD5-FM Removable, fixed mount bracket only (camera and lens not included). Interchangeable with all Spectra IV dome drives.	LD53SMB-3 Gold, surface, black
BB4-PB Pendant mount, black, standard		LD53SMW-0 Smoked, surface, white
BB4-PG Pendant mount, gray, standard		LD53SMW-1 Clear, surface, white
BB4-PG-E Pendant mount, gray, environmental		LD53SMW-2 Chrome, surface, white
		LD53SMW-3 Gold, surface, white
		LD5F-0 Smoked, in-ceiling
		LD5F-1 Clear, in-ceiling
		LD5F-2 Chrome, in-ceiling
		LD5F-3 Gold, in-ceiling
		LD53PB-0 Smoked, pendant, black
		LD53PB-1 Clear, pendant, black
		LD53PB-2 Chrome, pendant, black <sup>3</sup>
		LD53PB-3 Gold, pendant, black <sup>3</sup>

**Notes:**  
 To order a fixed mount dome system refer to the component models above and select one each of the following: back box (BB4-F), dome drive (DD5-FM), plus choice of lower dome (LD5F-0, LD5F-1, LD5F-2 or LD5F-3).  
 For environmental applications, you must order an environmental back box (BB4-F-E) or (BB4-PG-E).  
 DD5-FM is ideal for use with Pelco's C10DN-6, C10DN-6X, C10CH-6, C10CH-6X, CCC1390H-6, and CCC1390H-6X cameras with selected Pelco lenses.

\*For PAL and CCIR models add "-X" suffix to part number. (Example: SD435-SMW-0-X)

<sup>1</sup>Environmental dome systems include a heater, fan, and the environmental pendant also includes a sun shield.

<sup>2</sup>Use the pendant lower domes with the environmental in-ceiling and environmental pendant back boxes.

<sup>3</sup>Not recommended for outdoor use due to possible light reflections.

Pelco, the Pelco logo, Coaxitron, Digital Sentry, Endura, and Spectra are registered trademarks of Pelco, Inc.

LowLight is a trademark of Pelco, Inc.

Sensormatic and AD are trademarks or registered trademarks of Sensormatic Electronics Corp.

Bosch is a registered trademark of Robert Bosch GmbH.

Vicon is a trademark of Vicon.

Windows is a registered trademark of the Microsoft Corporation.

Exview HAD is a trademark of Sony Corporation.

iPaq is a trademark of the Compaq Corporation.

Palm is a trademark of Palm, Inc.

Product specifications and availability subject to change without notice.

©Copyright 2008, Pelco, Inc. All rights reserved.



**Pelco, Inc. Worldwide Headquarters:**

3500 Pelco Way, Clovis, California 93612-5699 USA

**USA & Canada** Tel: (800) 289-9100 • FAX: (800) 289-9150

**International** Tel: +1 (559) 292-1981 • FAX: +1 (559) 348-1120

**www.pelco.com**