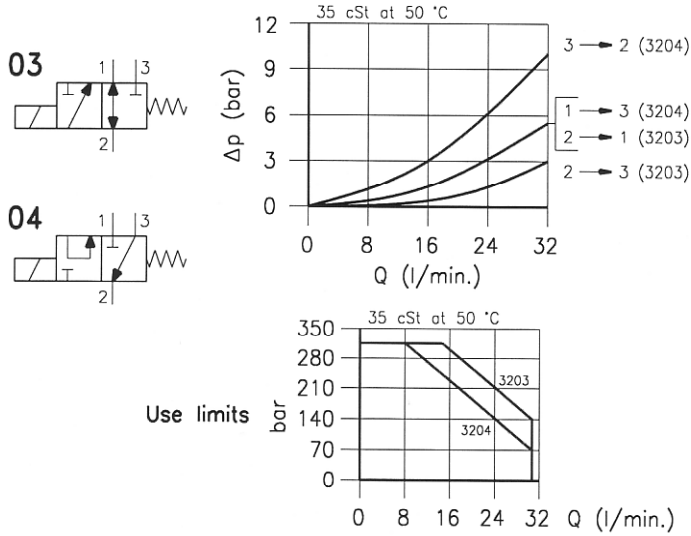
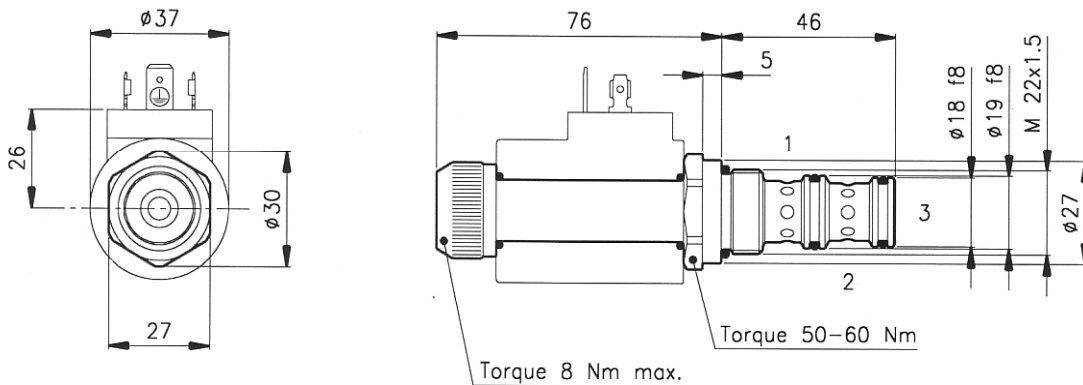


Technical features



Cavity (For dimensions see catalogue 17.000)	S 30/3
Max. flow (l/min.)	30
Max. pressure (bar)	315
Max. leakage (cm <sup>3</sup> /min.)	25
Response time (ms) It change in function of circuit, pressure, flow and fluid viscosity.	30 - 60 (Mean value)
Fluid viscosity range (cSt)	2.8 - 380
Fluid temperature range (°C)	-20 +80
Mass (kg)	0.230
Hydraulic fluid; mineral oil HM and HV	ISO 6074
Recommended filtration; 19/15 ISO 4466 (25 μ absolutes)	
Standard seals in Polyurethane and Buna N	

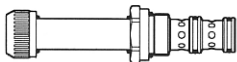
Dimensions



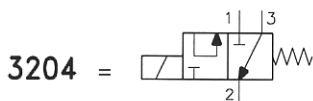
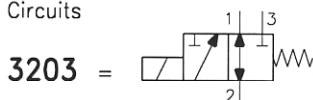
Ordering informations

ETD 30/3203

ETD 30/32.. = Valve type



Circuits



Codes:

ETD 30/3203 35 011 123

ETD 30/3204 35 011 124

External seals kit 90 620 104

ETD 30/32.. valves can be assembled on standard bodies 30-C3 series; for dimensions see catalogue 16.010

On the ETD 30 valves must be assembled the Coils B30 series; for dimensions, features and codes see catalogues 09.900 and 09.901.