

# Pneumatic ball valves ON-OFF

## Series VSP/3V - CS+FF

### MANIFOLD

# BUROCCO

## INDUSTRIAL VALVES srl

#### Technical data

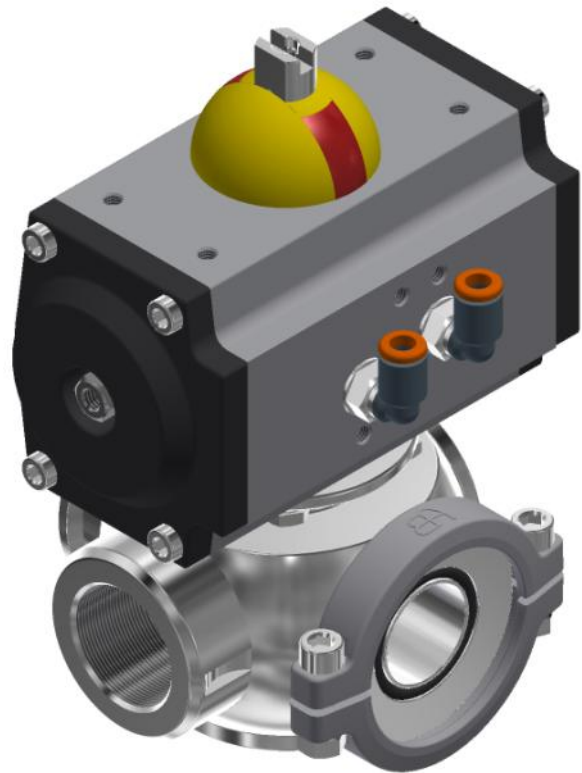
Size (DN)	DN 25
Rating	PN 40
Connections	Clamp for manifold + 3° way female threaded 1" GAS - ISO 228
Actuator	Pneumatic rotating 90° - DOUBLE EFFECT - anodized alloy aluminium
Supply	min 6 / max 10 bar
Temperature	from -25 to +120 °C

#### Description

Ball valves made for intercepting water, colors and chemical products. Designed to be mounted on the manifold, are used mainly in textile dyeing and finishing plants.

#### Options

- ⇒ Mechanical limit switch / proximity / microswitches box
- ⇒ Solenoid



# Pneumatic ball valves ON-OFF

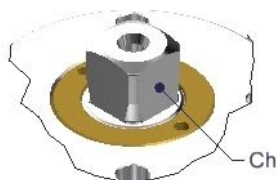
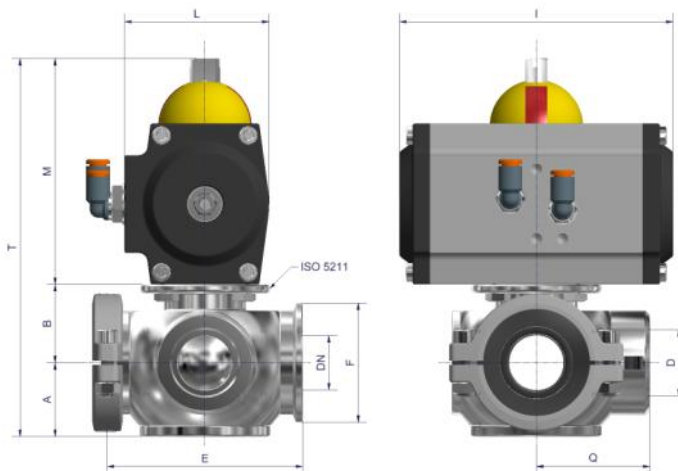
## Series VSP/3V - CS+FF

# BUROCCO

## INDUSTRIAL VALVES srl

### MANIFOLD

Materials	
Valve body	AISI 316/316L
Seats	PTFE
O-rings	FPM
Ball	AISI 316/316L - drilling " T "
Stem	AISI 316/316L
Connections	AISI 316/316L



#### Dimensions (mm)

DN - actuator	A	B	D	E	F	I	L	M	Q	T	ISO 5211	Ch	weight (Kg)*
25 - 52/90	34	35	1"	94	55	133	69	111	52	180	F05	14	2,9

\* Actuator without accessories.