



EVIDGOM[®]

Natural frequency : (1)
2,5 to 7 Hz

DESCRIPTION

The EVIDGOM[®] mount is formed from two thick conical membranes joined at their bases to create a highly elastic mounting.

There are three variations :

- all rubber EVIDGOM[®];
- EVIDGOM[®] with bonded fixing;
- EVIDGOM[®] with a diamond or square mounting plate (fixing plate supplied as a separate kit).

OPERATION

The design of the EVIDGOM[®] mount gives the following basic characteristics:

- a very high axial elasticity;
- very low natural frequency (a few Hertz);
- progressive buffer against shocks or accidental overload.

Advantages

- As the load/deflection curve has a point of inflection, a suspension may be designed to have a sub-tangent greater than the static deflection.
- The elastomer used provides intrinsic damping with a corresponding ability to absorb energy which gives appreciable advantages over metallic springs.

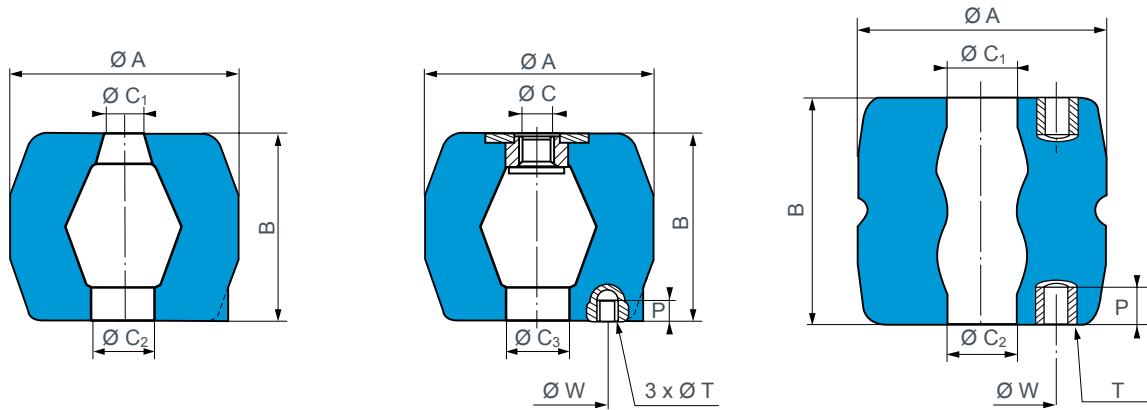
Recommendations

- The selection of a low natural frequency (large deflection) must not be allowed to endanger the stability of the suspension (tall equipment).
- In certain cases (use under maximum load) the use of side stops is recommended.

1) the indicated natural frequency, are valid for the maxi loads of the ranges of use quoted in the paragraph : TECHNICAL CHARACTERISTICS.



DIMENSIONS CHARACTERISTICS



Shape 1

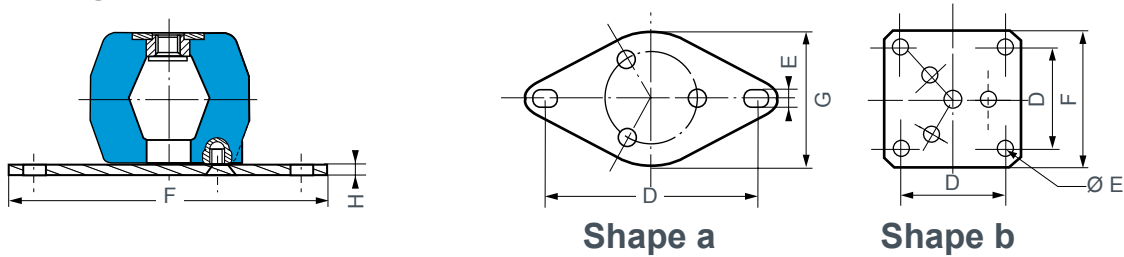
Shape 2

Shape 3

Ø A (mm)	B (mm)	EVIDGOM® reference				C	Ø C1 (mm)	Ø C2 (mm)	Ø C3 (mm)	Ø W (mm)	T	P (mm)
		All rubber	Shape	With fixings	Shape							
34	25	810002	1	-	-	-	8	8	-	-	-	-
40	55	810003	1	-	-	-	14	14	-	-	-	-
50	70	810005	1	-	-	-	14	14	-	-	-	-
60	40	-	-	810780	2	M10	-	25	25	40	M6	6
85	70	810006	1	810766	2	M16	20	30	30	60	M8	8
95	90	810008	1	810768	2	M16	20	30	30	60	M8	8
108	90	810009	1	810769	2	M16	20	30	34	70	M10	10
120	110	810012	1	-	-	-	20	30	-	-	-	-
140	120	810013	1	810773	2	M16	25	40	35	70	M10	10
125	140	810014	1	810774	2	M16	25	30	25	70	4 x M12	12
125	140	810014	1	810784	2	M16	25	30	25	70	M10	10
140	90	810019	1	810779	2	M16	28	12	28	70	M10	10
140	56	810020	1	810770	2	M16	30	30	30	70	M10	10
155	150	810015	1	810775	2	M16	25	30	30	90	M14	14
188	180	810016	1	810776	2	M24	40	40	40	90	M14	14
250	230	-	-	810733	3	-	70	70	-	150	6 x M24	40
350	290	-	-	810736	3	-	85	85	-	196	6 x M24	40
350	395	-	-	810735	3	-	85	85	-	196	8 x M24	40

See current price list for availability of items

Lower fixing plate



Shape a

Shape b

Evidgom® reference	Fixing pack reference	Shape	D (mm)	E (mm)	F (mm)	G (mm)	H (mm)
810780	337566	a	98/102	8,2	117	65	5
810766	337567	a	124/128	10,2	158	110	5
810768	337567	a	124/128	10,2	158	110	5
810769	337568	a	178/182	10,2	214	150	6
810773	337568	a	178/182	10,2	214	150	6
810784	337568	a	178/182	10,2	214	150	6
810779	337568	a	178/182	10,2	214	150	6
810770	337568	a	178/182	10,2	214	150	6
810775	337569	b	170	10,5	200	-	8
810776	337569	b	170	10,5	200	-	8



OPERATING CHARACTERISTICS

Nominal static load (daN)	Deflecty ±15% (mm)	Ø A mm under nominal charge	Height B (mm)	Reference
5-15	5	40	25	810002
10-40	11	50	55	810003
20-80	14	63	70	810005
15-60	10	80	40	810780
25-100	15	105	70	810766
35-150	18	124	90	810768
100-400	20	136	90	810769
100-390	23	134	110	810012
150-600	24	175	120	810773

Nominal static load (daN)	Deflecty ±15% (mm)	Ø A mm under nominal charge	Height B (mm)	Reference
00-800	26	170	140	810784
200-800	16	175	90	810779
200-800	10	166	56	810770
325-1300	30	175	150	810775
500-2000	35	240	180	810776
1250-5000	50	345	230	810733Δ60
2000-8000	50	345	230	810733Δ75
2250-9000	60	500	290	810736Δ60
3500-14000	60	500	290	810736Δ75

See current price list for availability of items.

LOAD/DEFLECTION CURVES IN AXIAL COMPRESSION

