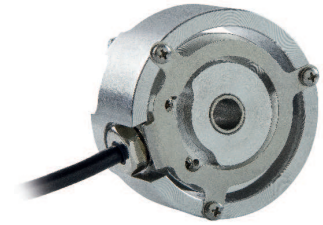


MAIN FEATURES

∅ 50 mm encoder recommended for motor feedback. Suitable for small size motors due to its reduced dimensions.

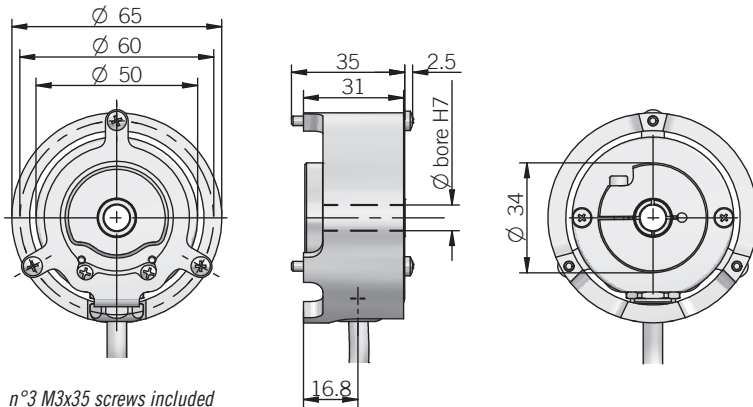
- 3 channel encoder (A / B / Z) up to 1024 ppr
- Highly integrated optical ASIC
- Wide power supply up to +30 VDCC
- Through hollow shaft up to 10 mm diameter
- Mounting by coupling flange or stator coupling (front or rear fixing)
- IP 65 as protection grade
- Wide temperature range -40 ... + 100°C



ORDERING CODE EH 50FP 1024 S 5/30 P 6 X 6 PR .XXX

<p>SERIES incremental encoder series EH</p> <p>MODEL through hollow shaft with front fixing 50FA through hollow shaft with rear fixing 50FP</p> <p>RESOLUTION ppr from 100 to 1024 <i>see table for pulses availability</i></p> <p>ZERO PULSE without zero pulse S with zero pulse Z</p> <p>POWER SUPPLY 5 ... 30 V DC 5/30</p> <p>ELECTRONIC INTERFACE push-pull P universal line driver TTL/HTL L power supply 5/30V - output RS-422 RS</p> <p>BORE DIAMETER mm 6 mm 8 9,52 mm (3/8") 9 10 mm 10</p> <p>ENCLOSURE RATING IP 65 X</p> <p>MAX ROTATION SPEED 6000 rpm 6</p> <p>OUTPUT TYPE cable radial (standard length 0,5 m) PR</p> <p>VARIANT custom version XXX</p>			
---	--	--	--

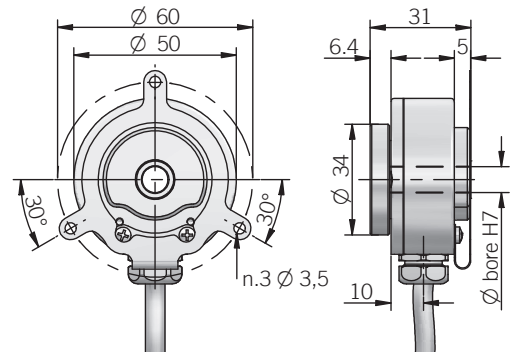
EH 50 FA



n°3 M3x35 screws included

dimensions in mm

EH 50 FP



ELECTRICAL SPECIFICATIONS

Resolution	from 100 to 1024 ppr
Power supply	4,5 ... 30 V DC (with reverse polarity protection)
Power draw without load	600 mW
Max load current	20 mA / channel
Output type*	push-pull / line driver
Max output frequency	105 kHz
Counting direction	A leads B clockwise (shaft view)
Electromagnetic compatibility	IEC 61000-6-2 IEC 61000-6-4

**output levels according to power supply, for further details please see under Technical basics section*

MECHANICAL SPECIFICATIONS

Bore diameter	ø 6 / 8 / 9,52 (3/8") / 10 mm
Enclosure rating	IP 65 (IEC 60529)
Max rotation speed	6000 rpm
Shock	50 G, 11 ms (IEC 60068-2-27)
Vibration	10 G, 10 ... 2000 Hz (IEC 60068-2-6)
Moment of inertia	0,5 x 10 ⁻⁶ kgm ²
Starting torque (at +20°C / +68°F)	< 0,01 Nm
Fixing torque for collar clamping	1 Nm recommended
Body material	EN-AW 2011 aluminum
Shaft material	1.4305 / AISI 303 stainless steel
Housing material	EN-AW 2011 aluminum
Bearings	2 ball bearings
Bearings life	10 ⁹ revolutions
Operating temperature	-40° ... +100 °C (-40° ... +212°F)
Storage temperature	-40° ... +100 °C (-40° ... +212°F)
Weight	150 g (5,29 oz) mod.FP 200 g (7,05 oz) mod.FA

CONNECTIONS

Function	Cable output Line driver	Cable output Push-pull
+V DC	red	red
0 V	black	black
Ch. A	green	green
Ch. A-	grey or brown	/
Ch. B	yellow	yellow
Ch. B-	orange	/
Ch. Z	blue	blue
Ch. Z-	white	/
≡	shield	shield

RESOLUTIONS

100 - 200 - 256 - **360** - 400 - 500 - **1000** - **1024** ppr

please directly contact our offices for other pulses, preferred resolutions in bold