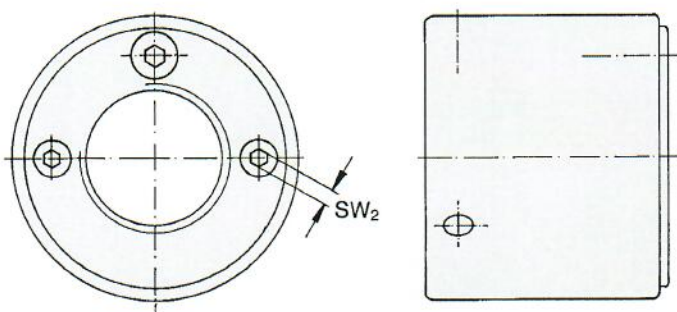


SPIETH Clamping nuts Series AM

Designation of a clamping nut
with thread M 30x1.5:
Clamping nut AM 30x1.5

Subject to changes.
Special versions:
On request, by sending an
explanatory sketch.

Code	Dimensions in mm						Effective clamping force	Clamping screw	
	d ₁	d ₂	d ₃	d ₄	h ₁	h ₂		F	Size across flats SW ₁
	ISO - 5H	H7					kN	mm	Nm
20 x 1.5	M 20 x 1.5	22	52	6.9	56	26	30	6	20
24 x 1.5	M 24 x 1.5	27	55	6.9	56	26	30	6	20
30 x 1.5	M 30 x 1.5	32	69	9.2	78	31	50	8	35
36 x 2	M 36 x 2	40	78	9.2	82	31	50	8	35
42 x 2	M 42 x 2	50	88	11.5	88	36	75	10	55
52 x 2	M 52 x 2	60	100	11.5	92	36	75	10	55
60 x 3	M 60 x 3	70	118	14	102	40	85	12	70
68 x 3	M 68 x 3	80	130	16.2	112	46	100	14	80
80 x 4	M 80 x 4	100	152	16.2	122	46	100	14	80



For missing dimensions, please refer to the drawing for clamping nut AM.

SPIETH Clamping nuts Series AM...-GS

Designation of a clamping nut
with thread M 30x1.5 and
thread fixation:
Clamping nut AM 30x1.5-GS

Code	Dimensions in mm						Effective clamp.force	Clamping screw		Fixing screws	
	d ₁	d ₂	d ₃	d ₄	h ₁	h ₂		F	M _A	Size across flats SW ₂	M _S
	ISO - 5H	H7					kN	Nm	mm	Nm	
20 x 1.5 - GS	M 20 x 1.5	22	52	6.9	56	26	30	6	20	5	8
24 x 1.5 - GS	M 24 x 1.5	27	55	6.9	56	26	30	6	20	5	8
30 x 1.5 - GS	M 30 x 1.5	32	69	9.2	78	31	50	8	35	6	15
36 x 2 - GS	M 36 x 2	40	78	9.2	82	31	50	8	35	6	15
42 x 2 - GS	M 42 x 2	50	88	11.5	88	36	75	10	55	6	15
52 x 2 - GS	M 52 x 2	60	100	11.5	92	36	75	10	55	6	15
60 x 3 - GS	M 60 x 3	70	118	14	102	40	85	12	70	8	20
68 x 3 - GS	M 68 x 3	80	130	16.2	112	46	100	14	80	10	30
80 x 4 - GS	M 80 x 4	100	152	16.2	122	46	100	14	80	10	30