

# Relief-Valve, springloaded

for liquids in closed completion, high pressure

# Typ 24

### Standard version:

Temperature ranges

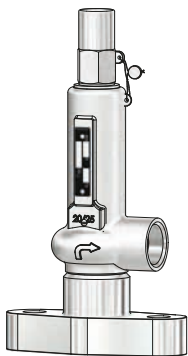
**Material:** Inlet body / Spring bonnet  
**Typ 24.2:** 1.4308, 1.4571 / 1.4581

metal seated  
 0°C to 100°C

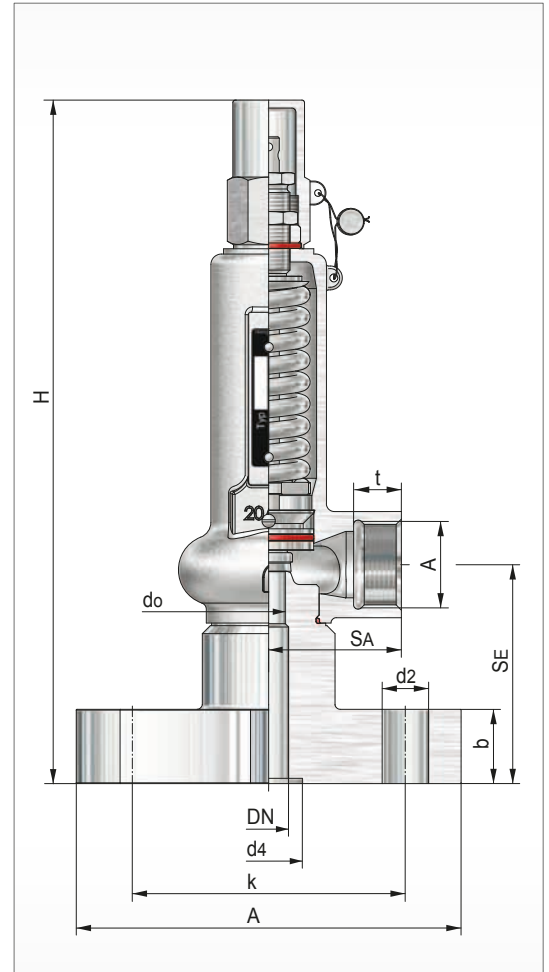
**Connections:**  
 Oval flange

### Approvals:

**Pressure Equipment Directive:** 97/23/EG  
 Declaration of Conformity



Size II  
 head A



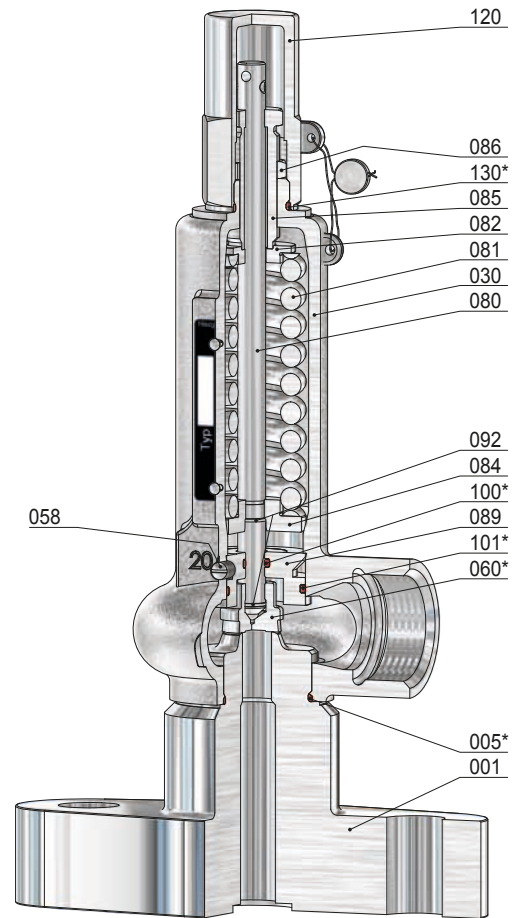
Size	Inlet							Outlet				Dimensions	Height 'H' for head		Set pressure		Weight
	DN	SE	d2	d4	b	A	k	A	SA	t (G)	t (NPT)		do	C	p min.	p max.	
	[mm]	[mm]	[mm]	[mm]	[mm]	[mm]	[mm]	[mm]	[mm]	[mm]	[mm]	[mm]	[mm]	[bar(g)]	[bar(g)]	~ [kg]	
II	15	82,5	17,5	25,4	28	145	103	1	50	18	17	6	258	280	1000	3,6	
												8		260	680		
												10		160	410		
												12,5		70	240		
												16		35	115		

other design on request

# Relief-Valve, springloaded

for liquids in closed completion, high pressure

## Typ 24



Size II  
head C

Item	Piece	Description	Item	Piece	Description
001	1	inlet body	084	1	springplate, lower
005 *	1	o-ring	085	1	adjusting screw
030	1	spring bonnet	086	1	lock nut
058	2	screwed pin	089	1	guide plate
060 *	1	disc, complete	092	2	lock ring
560	1	disc	100 *	1	o-ring
062	1	soft sealing	101 *	1	o-ring
063	1	disc ring	120	1	cap
080	1	spindle	130 *	1	o-ring
081	1	spring			
082	1	springplate, upper			

\* expendable parts