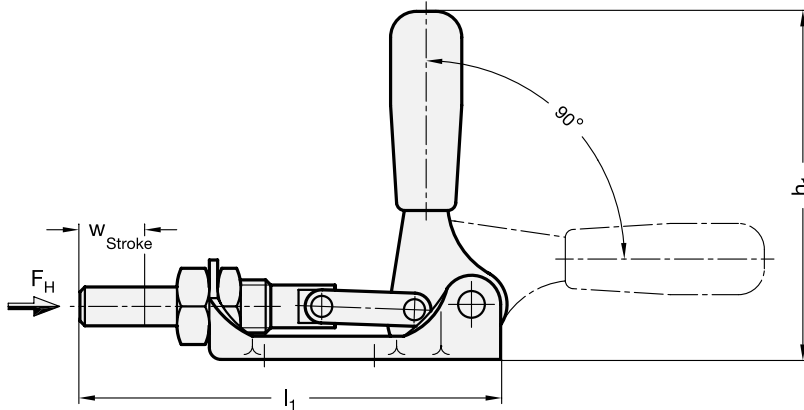


GN 841 Push-Pull Type Toggle Clamps

for push-on clamping



2 Type
AS Sheet metal body



Size	FH in N Holding Capacity	a	b	d ₁	d ₂	d ₃	h ₁ ≈	h ₂	l ₁ ≈
120	3600	17	48	12	M 6	5,5	113	31	130
300	7200	20	58	14	M 8	6,5	140	36	167

Size	l ₂ ≈	l ₃ ≈	l ₄ ≈	m ₁	m ₂	m ₃	A/F	t	w Stroke
120	121	40	30	34	30	17	24	12	20
300	155	57	45	50	34	18	27	16	34

Specification

- Parts in sheet metal
 - Case-hardened Steel C10
 - zinc plated, blue passivated finish
- Plunger Steel St 37
zinc plated, blue passivated finish
- Plunger guide bushing Brass
zinc plated, blue passivated finish
- All moving parts lubricated with special grease
- Hand grip
High quality, oil resistant red plastic
- **RoHS compliant**

Information

- see also...
- General information for toggle clamps → Page 676

Accessory

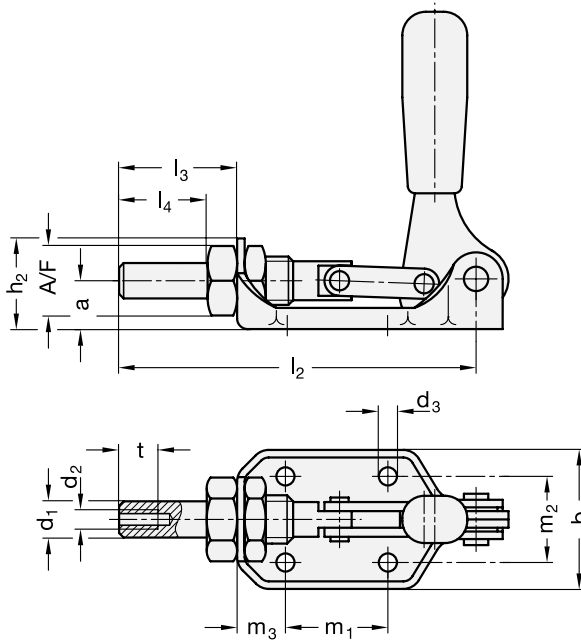
- Spindle assemblies → Page 765

How to order

GN841-120-AS

1 Size

2 Type



2.1

2.2

2.3

2.4

2.5

2.6

2.7

2.8

2.9

