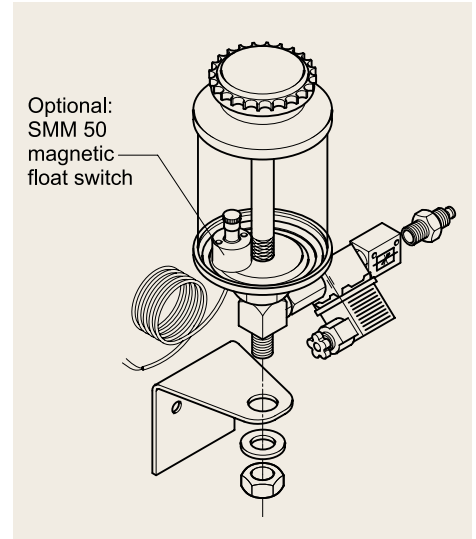
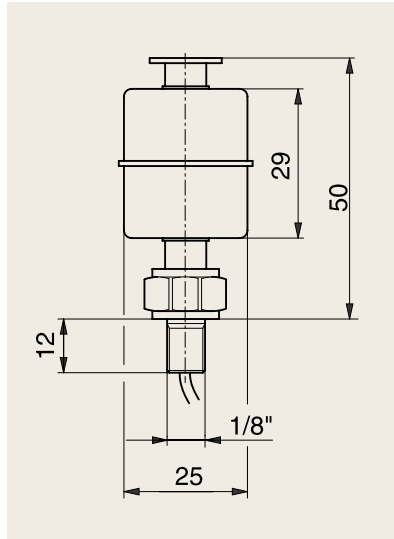


# MAGNETIC FLOAT SWITCH

- Perfect monitoring of fluids in storage tanks
- Hermetically enclosed contacts
- Contact-free actuation via magnetic field in float



Type	Electrical connection	Cable	Temperature	Article no.
SMM 50	Max. voltage: 300V AC/DC 10 W* contact load	1 m LIYY 2 x 0.25mm <sup>2</sup>	-20 to +100°C	314 000 001*

\* Wired ready for connection in corresponding oil reservoir  
Switching function: Normally open contact

## Installation possible for:

Product	Design
ELO	1000 – 3000
EOS-B	1000 – 3000
MET-B	1000 – 3000
EOS-H	500 – 9000
MET-H	500 – 9000
OBH	500 – 9000
EPO	500 – 9000
UNI	100 – 150
MOS	500 – 9000

## Hoses/pipes

Product	Variant	ø D/d	Article no.	ø D/d	Article no.	ø D/d	Article no.
Hose	Soft PVC	5/4	312 900 001	8/6	312 900 002	10/8	312 900 003
Hose	Polyamide PA 12 W	5/4	312 900 004	8/6	312 900 005	10/8	312 900 006
Pipe	CU copper	5/4	312 900 007	8/6	312 900 008		