



Linear Bushing - Standard

Single / Double

Single

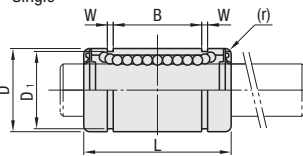


Double

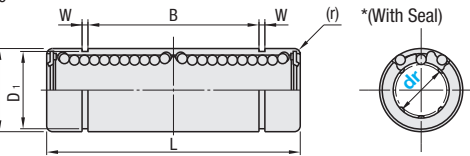


Type		Outer Cylinder			Balls	Retainer	Ambient Operating Temp.	Accessories				
Single	Double	Material	Hardness	S	Material	Material						
LMU-N	LMUW-N	52100 Bearing Steel	58HRC~	-	52100 Bearing Steel	Plastic (Duracon M90)	-20~80°C	*Seal Material Nitrile Rubber (-20~120°C)				
LMU	LMUW					Stainless Steel (Stainless Steel)	-20~110°C					
LMUF-N	LMUWF					440C Stainless Steel	56HRC~		-	440C Stainless Steel	Plastic (Duracon M90)	-20~80°C
LMUF	LMUWR										Stainless Steel (Stainless Steel)	-20~110°C
LMUM	LMUWM										Plastic (Duracon M90)	-20~80°C
SLMU	SLMUW										Stainless Steel (Stainless Steel)	-20~120°C
SLMU	SLMUW											

Single



Double



*No seal for dr=3 and 4, LMU-N, LMUF-N and LMUW-N.
 *For Feature of Low Temperature Black Chrome Plating, see P.272

Part Number		D Tolerance		L		B		W		D ₁		(r)		Rows of Balls		Basic Load Rating		Mass		Unit Price									
Type	dr	Tolerance	No Surface Treatment	Surface Treatment	Tolerance	Tolerance	Tolerance	Tolerance	Tolerance	Tolerance	Tolerance	Tolerance	(Max.)	(Max.)	(Dynamic) N	(Static) N	(Dynamic) N	(Static) N	(g)	LMUW-N	LMUW	LMUF-N	LMUF	LMUR	LMUM	LMUMF	SLMU	SLMUW	
LMU-N (No Seal)	3	0	7	0	10	-	-	-	-	-	-	-	0.3	4	69	105	1.4	-	-	-	-	-	-	-	-	-	-	-	-
	4	-0.008	8	0	-0.009	-0.015	12	0	-	-	-	-	0.008	8	88	127	2.0	-	-	-	-	-	-	-	-	-	-	-	-
	5	0	10	0	-	-	15	0	-	-	-	-	0.012	10	167	206	4.0	-	-	-	-	-	-	-	-	-	-	-	-
	6	0	12	0	-0.011	-0.018	19	0	11.3	1.1	11.5	0.4	0.012	12	206	265	8.5	-	-	-	-	-	-	-	-	-	-	-	-
	8	0	15	0	-0.011	-0.018	24	0	15.3	1.3	14.3	0.4	0.012	15	265	380	17	-	-	-	-	-	-	-	-	-	-	-	-
LMUW-N (No Seal)	10	0	19	0	-	-	29	0	19.4	1.8	18	0.012	10	372	549	31	-	-	-	-	-	-	-	-	-	-	-	-	
	12	-0.009	21	0	-0.021	-	30	-0.2	20.4	-0.4	1.3	0.012	12	412	598	41	-	-	-	-	-	-	-	-	-	-	-	-	
	13	0	23	0	-0.013	-0.021	32	0	22	2.2	2.2	0.8	13	510	784	46	-	-	-	-	-	-	-	-	-	-	-	-	
	16	0	28	0	-	-	37	0	23.3	2.7	2.7	0.8	16	775	1180	73	-	-	-	-	-	-	-	-	-	-	-	-	
	20	0	32	0	-0.016	-0.025	42	0	27.3	3.0	3.0	0.015	20	882	1370	98	-	-	-	-	-	-	-	-	-	-	-	-	
LMUM	35	0	40	0	-0.016	-0.025	59	0	37.3	3.8	3.8	0.015	35	980	1570	236	-	-	-	-	-	-	-	-	-	-	-	-	
	40	0	45	0	-0.019	-0.030	64	0	40.8	4.3	4.3	0.020	40	1570	2740	262	-	-	-	-	-	-	-	-	-	-	-	-	
	50	0	52	0	-0.019	-0.030	70	0	45.3	4.9	4.9	0.020	50	1670	3140	425	-	-	-	-	-	-	-	-	-	-	-	-	
	40	-0.012	60	0	-0.019	-0.030	80	-0.3	56.3	5.7	5.7	0.020	40	2160	4020	654	-	-	-	-	-	-	-	-	-	-	-	-	
	50	0	80	0	-	-	100	0	68.8	2.6	76.5	0.020	50	3820	7940	1700	-	-	-	-	-	-	-	-	-	-	-	-	

Part Number		D Tolerance		L		B		W		D ₁		(r)		Rows of Balls		Basic Load Rating		Mass		Unit Price								
Type	dr	Tolerance	No Surface Treatment	Surface Treatment	Tolerance	Tolerance	Tolerance	Tolerance	Tolerance	Tolerance	Tolerance	Tolerance	(Max.)	(Max.)	(Dynamic) N	(Static) N	(Dynamic) N	(Static) N	(g)	LMUW-N	LMUW	LMUF-N	LMUF	LMUR	LMUM	LMUMF	SLMU	SLMUW
LMUW-N (No Seal)	3	0	7	0	19	-	-	-	-	-	-	-	0.3	4	138	210	0.51	3.2	-	-	-	-	-	-	-	-	-	-
	4	-0.011	8	0	-0.015	23	0	-	-	-	-	-	0.010	4	176	254	0.63	4.8	-	-	-	-	-	-	-	-	-	-
	5	0	10	0	-	-	18.2	0	-	-	-	-	0.010	5	263	412	1.38	11	-	-	-	-	-	-	-	-	-	-
	6	0	12	0	-0.013	-0.018	28	0	24.8	1.1	11.5	0.4	0.015	6	324	529	2.18	16	-	-	-	-	-	-	-	-	-	-
	8	0	15	0	-0.013	-0.018	45	0	32.8	1.3	14.3	0.4	0.015	8	431	784	4.31	31	-	-	-	-	-	-	-	-	-	-
LMUWF	10	0	19	0	-	-	35	0	35	24.8	1.1	0.015	10	588	1100	7.24	62	-	-	-	-	-	-	-	-	-	-	-
	12	-0.010	21	0	-0.021	-	55	-0.3	41.4	-0.5	1.3	0.015	12	657	1200	10.9	80	-	-	-	-	-	-	-	-	-	-	-
	13	0	23	0	-0.016	-0.021	61	0	43.4	2.2	2.2	0.8	13	813	1570	11.6	90	-	-	-	-	-	-	-	-	-	-	-
	16	0	28	0	-	-	70	0	49.8	2.7	2.7	0.8	16	1230	2350	19.7	145	-	-	-	-	-	-	-	-	-	-	-
	20	0	32	0	-0.016	-0.025	80	0	57.8	3.0	3.0	0.015	20	1400	2740	26.8	180	-	-	-	-	-	-	-	-	-	-	-
LMUWR	35	0	40	0	-0.019	-0.025	112	0	78.3	3.8	3.8	0.020	35	1560	3140	43.4	440	-	-	-	-	-	-	-	-	-	-	-
	40	0	45	0	-0.022	-0.030	123	0	85.3	4.3	4.3	0.025	40	2490	5490	82.8	480	-	-	-	-	-	-	-	-	-	-	-
	50	0	52	0	-0.019	-0.030	135	0	94.8	4.9	4.9	0.025	50	2650	6270	110	795	-	-	-	-	-	-	-	-	-	-	-
	40	-0.015	60	0	-0.022	-0.030	151	-0.4	116.8	5.7	5.7	0.025	40	3430	8040	147	1170	-	-	-	-	-	-	-	-	-	-	-
	50	0	80	0	-	-	192	0	142.8	2.6	76.5	0.025	50	6080	15900	397	3100	-	-	-	-	-	-	-	-	-	-	-

*No-Seal Type has lower sliding resistance (0.4~1.2N). *For Precautions for Use, see P.266
 *Spacers and Stoppers for linear bushings can be selected from P.286

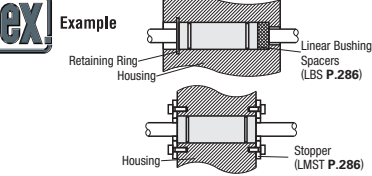
Part Number

LMU20 (No Seal)
LMU-N20 (Low Temperature Black Chrome Plating)
LMUR20L (L Type Greased)
LMUR20G (G Type Greased)
LMUR20H (H Type Greased)

Alternative grease types available.
For Days to Ship, Price and Performance, see P.266

Days to Ship [Configure Online](#)

Price [Configure Online](#)




Retaining Ring
Housing
Linear Bushing
Spacers (LBS P.286)
Stopper (LMST P.286)

Linear Bushings - Compact


Single / Double

Feature: 2mm smaller in O.D. (D dimension) than Standard Type.

Single

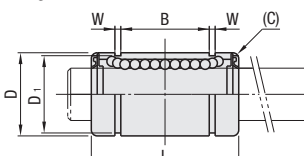


Double

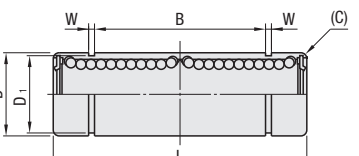


Type		Outer Cylinder		Balls	Retainer	Ambient Operating Temp.	Accessories
Single	Double	Material	Hardness	Material	Material		
LMK	LMKW	52100 Bearing Steel	58HRC~	52100 Bearing Steel	Plastic (Duracon M90)	-20~80°C	Seal Material Nitrile Rubber (-20~120°C)

Single



Double



Part Number		D Tolerance		L		B		W		D ₁		(C)		Eccentricity (Max.)		Rows of Balls		Basic Load Rating		Mass		Unit Price						
Type	dr	Tolerance	No Surface Treatment	Surface Treatment	Tolerance	Tolerance	Tolerance	Tolerance	Tolerance	Tolerance	Tolerance	Tolerance	(Max.)	(Max.)	(Dynamic) N	(Static) N	(Dynamic) N	(Static) N	(g)	LMUW-N	LMUW	LMUF-N	LMUF	LMUR	LMUM	LMUMF	SLMU	SLMUW
LMK	6	0	10	0	-0.009	19	0	11.3	0	11.3	0.1	0.012	6	131	155	6	-	-	-	-	-	-	-	-	-	-	-	-
	8	0	13	0	-0.011	24	0	15.3	0	15.3	0.2	0.012	8	235	277	12	-	-	-	-	-	-	-	-	-	-	-	-
	10	-0.009	17	0	-0.011	29	0	19.4	-0.2	19.4	0.2	0.012	10	368	433	26	-	-	-	-	-	-	-	-	-	-	-	-
	12	0	19	0	-	-	30	0	20.4	0	20.4	0.3	0.012	12	381	449	32	-	-	-	-	-	-	-	-	-	-	-
	16	0	26	0	-0.013	37	0	23.3	0	23.3	0.3	0.012	16	608	716	58	-	-	-	-	-	-	-	-	-	-	-	-

Part Number		D Tolerance		L		B		W		D ₁		(C)		Eccentricity (Max.)		Rows of Balls		Basic Load Rating		Mass		Unit Price						
Type	dr	Tolerance	No Surface Treatment	Surface Treatment	Tolerance	Tolerance	Tolerance	Tolerance	Tolerance	Tolerance	Tolerance	Tolerance	(Max.)	(Max.)	(Dynamic) N	(Static) N	(Dynamic) N	(Static) N	(g)	LMUW-N	LMUW	LMUF-N	LMUF	LMUR	LMUM	LMUMF	SLMU	SLMUW
LMKW	6	0	10	0	-0.009	35	0	24.8	0	24.8	0.1	0.015	6	206	309	2.46	12	-	-	-	-	-	-	-	-	-	-	
	8	0	13	0	-0.011	45	0	32.8	0	32.8	0.2	0.015	8	383	555	5.76	24	-	-	-	-	-	-	-	-	-	-	
	10	-0.010	17	0	-0.011	55	0	41.4	-0.3	41.4	0.2	0.015	10	585	867	10.99	52	-	-	-	-	-	-	-	-	-	-	
	12	0	19	0	-	-	57	0	43.4	0	43.4	0.3	0.015	12	608	899	11.85	64	-									