

# Graymills



## **CLEAN-O-MATIC® PARTS CLEANERS — SOLVENT**

**Operations and Maintenance Instructions**

## **CLEAN-O-MATIC® LIMPIADOR DE PIEZAS — SOLVENTE**

**Instrucciones de Operación y  
Mantenimiento**

## **CLEAN-O-MATIC® NETTOYEURS DE PIÈCES — SOLVANT**

**Mode de fonctionnement et d'entretien**

## **⚠️ WARNINGS/CAUTIONS**

Read all of these **SAFETY INSTRUCTIONS** and those in the manual **BEFORE** installing or using this equipment. Keep this manual handy for reference/training.

### **⚠️ SAFETY**

You will find various types of safety information on the following pages and on the labels attached to Graymills equipment. The following Safety Statements explain their meaning:

**⚠️** The Safety Alert Symbol means **ATTENTION! BECOME ALERT! YOUR SAFETY IS INVOLVED!**

**⚠️ DANGER** The **DANGER** Symbol means that failure to follow this safety statement will result in serious personal injury or death.

**⚠️ WARNING** The **WARNING** Symbol means that failure to follow this safety statement might result in serious personal injury or death.

**⚠️ CAUTION** The **CAUTION** Symbol means that failure to follow this safety statement might result in personal injury or property damage.

**NOTE** The **NOTE** Symbol means failure to follow these instructions could cause damage to the equipment or cause it to operate improperly.

### **⚠️ CAUTION**

Never work with equipment you feel may be unsafe. Contact your Supervisor immediately if you feel a piece of equipment is in an unsafe condition.

### **⚠️ WARNING**

- Do **NOT** install near open flames or heat. Do **NOT** smoke near parts cleaners.
- Be sure to follow label instructions provided with any fluid used in this unit. Use only fluids with a flash point of 104°F or higher. Graymills recommends Super or Regular Agitene® (Flashpoint approx. 105°F). Do **NOT** use gasoline, alcohol, carburetor cleaners, metal strippers or chlorinated solvents. Use of such unauthorized materials can cause a health and safety hazard which might result in serious personal injury or death. If you have any questions regarding the correct fluids to use in this unit, call Graymills at (773) 248-6825 and ask for Customer Service.
- Do **NOT** contaminate cleaning compounds with any flammable materials (not less than 104°F flash point), such as gasoline, alcohol, etc. Drain parts to be cleaned of any flammable material before placing inside cleaning tank. Even small quantities can create a dangerous fire hazard.

### **⚠️ CAUTION**

- If any cleaning solutions are splashed on clothing, remove wet clothing promptly and thoroughly wash body areas that have been in contact with the solution. Do **NOT** permit saturated clothing to remain in contact with skin.
- Cleaning solutions may irritate skin and eyes. If splashed in eyes, flush thoroughly with water. Consult Material Safety Data Sheet (MSDS) and a physician. Always wear appropriate safety items such as gloves, apron, safety glasses or goggles.
- Follow all directions, Warnings and Cautions for the cleaning material being used.

### **⚠️ WARNING**

- Before performing any maintenance on this unit be sure to disconnect electric power.
- Unit must be properly grounded to prevent electric shock hazard. Connect only to three prong outlet. Should cord become cracked, frayed or damaged in any way, it should be repaired immediately by a qualified electrician. Never use an extension cord.
- Since operator safety at all times is a priority, we strongly recommend that, whether or not required by local code, this equipment be connected only into a power supply equipped with a "Ground Fault Interrupter" (GFI). All electrical connections should conform to national/local codes and be made by qualified personnel.

### **⚠️ CAUTION**

- Unit is equipped with a fusible safety link cover mechanism designed to support the open cover at a slightly forward angle. In the event of a fire, the fusible link will melt at 165°F permitting the cover to slam shut, cutting off oxygen supply to the fire.
- Never leave the unit unattended with parts in the tank which would prevent the cover from closing completely in the event of a fire. Always make sure that the cover remains in its correct, slightly tilted forward position when open. Do **NOT** tamper with or remove the fusible safety link. If the safety link breaks or is lost, do **NOT** use the unit. Replace the safety link immediately. Keep the cover closed when the unit is not being used.
- After extended use, the gas spring could begin to lose some of its holding ability. If you begin to notice the cover not holding in the open position, replace gas spring immediately to prevent inadvertent dropping of cover and potential injury.
- Do **NOT** load with parts over recommended maximum weight.

### **⚠️ CAUTION**

Inspect pump and all electrical cords and plugs each time unit is cleaned. Do **NOT** use if any wear or damage is noticed until impaired components are repaired or replaced.

### **⚠️ CAUTION**

Fill tank to recommended operating capacity range before plugging in power cord. (See **INSTALLATION AND OPERATION** Section.)

## **INTRODUCTION**

The Clean-O-Matic parts cleaner is a heavy duty, multi-functional cleaning machine for production, maintenance and automotive service. The unique features of the Clean-O-Matic are designed to save time and money when cleaning a wide variety of parts and assemblies.

A number of optional accessories are available to enhance the cleaning ability of Clean-O-Matic parts cleaners. See page 10 for details.

## **SPECIFICATIONS**

### **⚠️ WARNING**

Make sure that you connect your Clean-O-Matic to a grounded compatible electrical source. Failure to do so can result in damage to your unit and/or hazardous condition. Never use extension cords.

### **Electrical Characteristics**

Depending on the model, Clean-O-Matics are available in either 115V or 230V. To determine the electrical requirements of your model, check the nameplate located on the side of the tank near the motor. An "A" designation after the model number indicates it operates at 115V, 60 Hz, 1 ph. A "B" following the model number means the unit is rated at 230V, 60 Hz, 1 ph.

Example: 500-A means a Model 500 Clean-O-Matic with a 115V, 60 Hz, 1 ph motor.

### **Air Motor (GAM) Characteristics**

There is no pilot light or switch. The air connection is on the side of the tank with the valve.

### **Liquid Capacities**

The liquid capacity of your Clean-O-Matic is as indicated below:

<i>Model</i>	<i>Maximum</i>	<i>Minimum</i>
300, 500	42 gals	20 gals
800	85 gals	50 gals
900, 902	117 gals	50 gals

### **Weight Limitations**

The maximum weights which can be placed on the tank bottom and work shelves of your Clean-O-Matic are indicated below:

<i>Model</i>	<i>Bottom</i>	<i>Shelves</i>
300, 500, 800	500 lbs.	150 lbs.
900, 902	750 lbs.	200 lbs.

### **Recommended Cleaning Fluids**

The Clean-O-Matic is designed to be used with combustible (flash point over 104°F) petroleum based cleaning fluids such as **Graymills**

**Regular Agitene®** and **Super Agitene®**. **Super Agitene** has a mild, fresh odor and is far superior in cleaning ability than normal safety solvents. **Super Agitene** also contains “HandEase,” a lanolin formulation that helps prevent skin irritation, plus seven other ingredients that make it a unique cleaning fluid that cleans faster, more easily and lasts longer than other cleaning fluids. **Super Agitene** also leaves a light rust retarding film. **Regular Agitene** is a fast-drying, film-free cleaner which contains Tergene, a detergent additive for better cleaning efficiency. **Regular Agitene** is especially recommended for cleaning electrical parts since it will not harm varnish and dries film free.

**⚠ WARNING**

Never use a cleaning fluid that has a flash point below 104°F. Do NOT use any **FLAMMABLE** fluids. See complete Warnings and Cautions on page 2.

## INSTALLATION AND OPERATION

### Site Preparation

Before installing the Clean-O-Matic, careful consideration should be given to the place of operation. Place unit on a smooth, level surface.

**⚠ CAUTION**

- The work area should be well ventilated.
- Provide adequate lighting in the work area to allow observation of the cleaning process and the floor area around the machine.
- Be sure to allow adequate room to bring work to and from the machine. Provide sufficient clearance around the machine for fluid changeovers and servicing.

### Installation Procedure

The Clean-O-Matic is very easily put into operation. After removing it from its shipping carton, install the revolving casters supplied with units so equipped (Models 300, 500), assemble handle to cover. Check to be sure drain plug is tightened, fill with the desired amount of an appropriate cleaning fluid (see Liquid Capacities, above) and insert the 3-prong plug into the proper receptacle (see Electrical Characteristics, above). If using an air motor, attach air line hose to valve on side of unit and the unit is ready for use.

Before operating your Clean-O-Matic, read the following descriptions of its features and benefits to maximize efficiency and longevity from your unit.

### Automatic Safety Cover

Open the automatic Safety Cover (A) on your Clean-O-Matic and you will notice that it lifts simply and easily with one hand. There is nothing to connect or disconnect to open or close the cover.

**⚠ CAUTION**

Your Clean-O-Matic cover is equipped with a two-way gas spring that also incorporates a fusible link (B). When open, the cover mechanism supports the cover at a slightly forward angle. This angle is necessary to assure the cover's fusible link (B) will operate in the unlikely event of fire in the tank. In the event of a fire, the fusible link will melt at 165°F permitting the lid to slam shut, reducing oxygen supply to the fire.

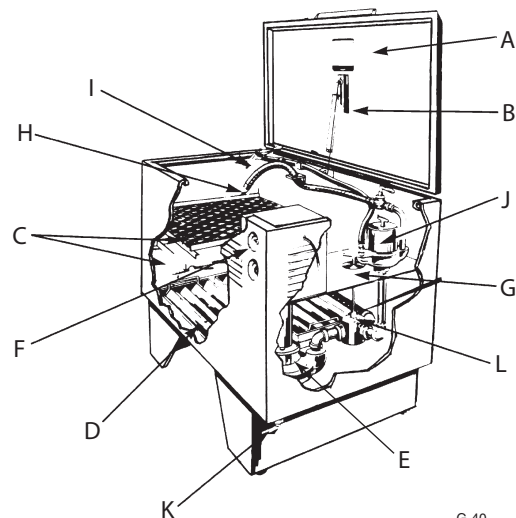
Never leave the Clean-O-Matic unattended with parts in the tank which would prevent the cover from closing completely in the event of a fire. Always make sure that the cover remains in its correct, slightly tilted forward position when open. Do NOT tamper with or remove the fusible safety link. If the safety link breaks or is lost, replace immediately. Keep the cover closed when the unit is not being used.

### Work Shelves

Every Clean-O-Matic comes equipped with one perforated shelf (C) and two telescoping shelves which serve as a freeboard barrier to help limit VOC emissions. Your own cleaning needs will determine which position is best for your operation.

### Sludge Collector Trays (Optional Accessory)

Two or more “sludge trays” with side foam filters (D) are located at the bottom of the tank. These trays collect the heavier contamination produced by cleaning. To extend the life of the cleaning fluid, gently lift out the trays after heavier materials have settled overnight. Remove and properly dispose of any contaminants found in the trays. Replace the sludge trays and commence operation. Regular cleaning of the sludge trays will maximize cleaning fluid life and result in a more efficient cleaning



G-40

operation.

### Pumping Unit

The centrifugal pumping unit (E) supplied with the Clean-O-Matic is a rugged “machine tool” quality unit that is a valuable aid in parts cleaning. It is particularly useful in flushing away softened grease and grime after parts have been soaked. As an added precaution, Model 300 has a mesh screen placed over the intake of the pump. Be sure to keep this screen free of contaminants, rags or other debris which would impede the pump's intake of fluid.

### Pump and Tank Agitation

To operate the pump and tank agitation after filling, flick the switch (F) on the front of the Clean-O-Matic or turn valve for air. The yellow pilot light should go on, indicating that the pump is running. The Selector Valve (G) is located on the inside rear-right hand side of the tank. The Model 300 Selector Valve is two-position: one position directs fluid to the flexible metal flush hose (H) and the spray hose (I), and the other position creates the tank agitation. On Models 500 through 902, the Selector Valve (G) permits use of tank agitation alone, the flush and spray hoses together, or a combination of all three. The small valve on the flexible metal hose (H) allows you to cut off flow to the flexible hose, directing all of the fluid through the spray hose (I). Always direct flow into tank in such a way as to avoid splashing. Never point spray nozzle at anyone.

When using the Tank Agitation setting, align parts in the tank so that the maximum area of the parts or any cavities in the parts are exposed as fully as possible to the fluid emitted from the jet nozzles. To minimize fluid evaporation, keep the tank cover closed during agitation.

## MAINTENANCE

### Cleaning

Your Clean-O-Matic is equipped with a filter that has a reusable screen collector element (J). This screen collector should be cleaned at least once a week, more often in heavy use, in order to help extend the life of the cleaning fluid and increase cleaning efficiency. Periodically, an oil filter cartridge can be placed in the filter canister in place of the screen collector. (Use WIX 51076 or equal. For the location of your local WIX dealer call WIX Customer Service: 704-864-6711.) Running the pump for a few hours will pull more contaminants out of the fluid and help extend fluid's usable life.

**NOTE**

Since an oil filter cartridge will clog within a short time, use for only one or two hours at the most. Removing as much excess dirt, chips and other contaminants as possible before cleaning dirty parts will extend the life of the cleaning fluid. Another way to extend fluid life is to use Graymills Solvent Savers. Contact Customer Service for further details.

### Changing Fluid

**⚠ CAUTION**

- Unplug electrical cord or remove air supply.
- Remove the flexible metal hose (H) from its bracket at the rear of the tank. Remove the fluid from the tank by placing nozzle over side and into proper container. Remove drain plug (K) to drain

remaining fluid. Remove and clean the optional sludge trays (D). Clean the filter screen around the base of the pump (Model 300 only). Clean the pump filter screen and replace gasket, if necessary (the unit comes equipped with two spare gaskets). Wipe out the bottom of the tank to remove any accumulated sludge and debris still remaining.

- Replace the drain plug (K) and optional sludge trays (D). Reassemble the filter. Refill the tank with fresh cleaning fluid. Resume cleaning operations, checking for leaks at the drain plug and filter.

### ⚠ CAUTION

Always dispose of used cleaning fluid properly. Refer to the cleaning chemical manufacturer's package label for instructions.

### Pump Service

To remove the pumping units from the Clean-O-Matic, perform the following procedures:

### ⚠ CAUTION

Disconnect the Clean-O-Matic from the power or air source.

Loosen the sheet metal screws enough to remove the baffle enclosing the pump. There are key slots for the screw heads to pass through when lifting off the baffle.

Remove the motor cover by unscrewing the four sheet metal screws.

Remove three screws on motor/filter shelf to help free up assembly.

Remove each wire nut from the electrical cord and tag for re-assembly.

There is one sheet metal screw holding the motor lid from the outside, near the electrical cord and three more fastening the lid on the inside. Remove the outside screw first.

If your model has a Hydro-Jet manifold (1" pipe) (L), it can be removed by using a pipe wrench to loosen.

With the pipe removed, the whole pump/filter assembly can be swung (back end) to the left and lifted out. Reverse the procedure when replacing the pump assembly.

To adjust or replace the pump impeller, perform the following procedures:

### Model 300

Model 300 has a single suction impeller which is held onto the shaft with an Allen socket set screw in the hub. The Allen wrench required is a 3/32. (The screen and coverplate only need to be removed when replacing the impeller.)

### Models 500, 800, 900, 902

Models 500, 800, 900 and 902 have double suction impellers with no set screws. They have a "D" shaped hole that is flush with the shaft. A castle nut compresses shaft springs which adjusts impeller clearance. Insert cotter pin to keep the nut from turning. All impellers should be close to the upper surface of the volute (impeller chamber) and checked for rubbing. Assemble gasket and cover plates firmly with fasteners provided.

See page 10 for a list of Accessories and page 11 for Model Dimensions.

## ADVERTENCIAS/PRECAUCIÓN

Lea todas esas INSTRUCCIONES DE SEGURIDAD y las que están en el manual ANTES de instalar o usar este equipo. Tenga este manual a la mano para usarlo como referencia y material de adiestramiento.

### ⚠ SEGURIDAD

Usted encontrará varios tipos de información de seguridad en las siguientes páginas y en las etiquetas adheridas al equipo Graymills. Las siguientes declaraciones de seguridad explican su significado:

⚠ El símbolo de Alerta de Seguridad significa ¡ATENCIÓN! ¡ESTÉ ALERTA! ¡SU SEGURIDAD ESTÁ EN JUEGO!

⚠ **PELIGRO** El símbolo de PELIGRO significa que si no se sigue esta declaración de seguridad, se producirá una lesión personal seria o la muerte.

⚠ **ATENCIÓN** El símbolo de ATENCIÓN significa que si no se sigue esta declaración de seguridad, se podría producir una lesión personal seria o la muerte.

⚠ **PRECAUCIÓN** El símbolo de PRECAUCIÓN significa que si no se sigue esta declaración de seguridad, se podría producir una lesión personal seria o daños materiales.

NOTA El símbolo de NOTA significa que si no se siguen estas instrucciones se podría causar daño al equipo, o se podría causar que no funcione adecuadamente.

### ⚠ PRECAUCIÓN

Nunca trabaje con equipo que usted sienta que pueda ser inseguro. Póngase en contacto con su supervisor inmediatamente si sospecha que una pieza de equipo presenta una condición insegura.

### ⚠ ATENCIÓN

• NO INSTALE este equipo cerca de flama abierta ni de fuentes de calor. NO FUME cerca de los limpiadores de piezas.

• Asegúrese de seguir las instrucciones de la etiqueta proporciona con cualquier fluido que se use en la unidad. Use únicamente fluidos con un punto de ignición de 104°F o mayor. Graymills recomienda Agitene® Super o Regular (con un punto de ignición de unos 105°F). NO USE gasolina, alcohol, limpiadores de carburador, soluciones limpiadores de metales ni solventes clorados. El uso de esos materiales no autorizados podría resultar en serias lesiones personales o la muerte. Si tiene preguntas con respecto a los fluidos correctos que se deben usar en esta unidad, póngase en contacto con Graymills al teléfono (773) 248-6825 pida hablar con servicio al cliente (Customer Service).

• NO CONTAMINE los compuestos de limpieza con materiales inflamables (con un punto de ignición menor a 104°F), como gasolina, alcohol, etc. Drene las piezas que se van a drenar de material inflamable antes de ponerlas en el interior del tanque de limpieza. Aun cantidades pequeñas de esos materiales pueden crear un riesgo de incendio peligroso.

### ⚠ PRECAUCIÓN

• Si se derraman soluciones limpiadoras en la ropa, quite la ropa afectada inmediatamente y lave las áreas del cuerpo que hayan estado en contacto con la solución. NO PERMITA que la ropa impregnada permanezca en contacto con la piel.

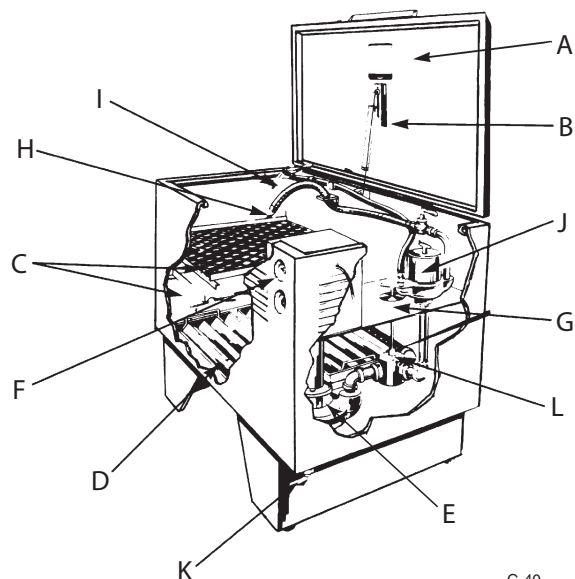
• Las soluciones de limpieza pueden irritar la piel y los ojos. Si la solución salpica los ojos, lávelos con agua abundante. Consulte la hoja de seguridad de datos de materiales (MSDS) y a un médico. Use siempre equipo de seguridad adecuado como guantes, delantal y lentes o gafas de seguridad.

• Siga todas las instrucciones, advertencias e indicaciones de precaución para el material que se esté usando.

### ⚠ ATENCIÓN

• Antes de efectuar cualquier trabajo de mantenimiento esta unidad asegúrese de desconectar la energía eléctrica.

• La unidad se debe aterrizar adecuadamente para prevenir el riesgo de descarga eléctrica. Conecte únicamente a un contacto aterrizado. Si el cable se agrieta, corroe o se daña de cualquier forma, un electricista



calificado deberá repararlo inmediatamente. Nunca use una extensión eléctrica.

800	85 galones	50 galones
900, 902	117 galones	50 galones

- Debido a que en todo momento la seguridad del operador es prioritaria, recomendamos enfáticamente que, aun si no lo requieren los reglamentos y códigos locales, este equipo se conecte únicamente a una fuente de alimentación eléctrica equipado con un interruptor de falla a tierra (GFI). Todas las conexiones eléctricas deberán respetar los códigos nacionales y locales y las deberá hacer personal calificado.

### PRECAUCIÓN

- La unidad está equipada con un mecanismo de unión fusible en la cubierta diseñado para soportar la cubierta abierta en un ángulo ligeramente adelantado. En caso de incendio, la unión fusible se fundirá a 165°F, permitiendo que la cubierta se cierre de golpe, y sofoque el fuego.
- Nunca deje la unidad sola si hay piezas en el tanque que podrían impedir que la cubierta se cierre completamente en caso de incendio. Asegúrese siempre de que la cubierta esté en su posición correcta, ligeramente adelantada cuando esté abierta. NO MANIPULE ni quite la unión fusible de seguridad. Si la unión de seguridad se rompe o se pierde, NO USE la unidad. Reemplace la unión de seguridad inmediatamente. Mantenga la cubierta cerrada cuando la unidad no se use.
- Después de un uso prolongado, el resorte de gas podría comenzar a perder algo de su habilidad de sustentación. Si usted comienza a notar que la cubierta no se sostiene la posición abierta, reemplace el resorte de gas inmediatamente para impedir que la cubierta caiga accidentalmente y una lesión potencial.
- NO CARGUE con piezas que excedan el peso máximo recomendado.

### PRECAUCIÓN

Inspeccione la bomba y todos los cables eléctricos y clavijas cada vez que se limpie la unidad. NO LA USE si nota signos de desgaste o daño, hasta que los componentes afectados se reparen o reemplacen.

### PRECAUCIÓN

Llene el tanque hasta el intervalo de operación recomendado antes de enchufar el cable de corriente eléctrica (vea la sección INSTALACIÓN Y OPERACIÓN).

## INTRODUCCION

El limpiador de piezas Clean-O-Matic es una máquina de limpieza de funciones múltiples de servicio pesado para la producción, el mantenimiento y el servicio automotriz. Las características únicas de la Clean-O-Matic están diseñadas para ahorrar tiempo y dinero al limpiar una amplia variedad de piezas y ensambles.

Están disponibles un gran número de accesorios opcionales para mejorar la habilidad de limpieza del limpiador de piezas Clean-O-Matic. Vea los detalles en el página 10.

## ESPECIFICACIONES

### ATENCIÓN

Asegúrese de conectar su Clean-O-Matic a una fuente de corriente eléctrica aterrizada compatible. El no hacerlo puede resultar en daño a su unidad o en condiciones de riesgo. Nunca use extensiones eléctricas.

### Características eléctricas

Dependiendo del modelo, los Clean-O-Matic funcionan con 115V ó 230V. Para determinar los requerimientos eléctricos de su modelo, revise la placa de datos ubicada en el lado del tanque cerca del motor. Una designación "A" después del número del modelo indica que trabajo con 115V, 60 Hz, 1 fase. Una "B" después del número del modelo significa que la unidad está diseñada para 230V, 60 Hz, 1 fase.

Por ejemplo: 500-A quiere decir un Clean-O-Matic modelo 500 con un motor de 115V, 60 Hz, 1 fase.

### Características GAM

No hay lampara piloto ni interruptor. La conexión de aire está en el lado del tanque con la válvula.

### Capacidades de líquido

La capacidad de líquido de su Clean-O-Matic se indica a continuación.

Modelo	Máximo	Mínimo
300, 500	42 galones	20 galones

### Limitaciones de peso

Los pesos máximos que se pueden colocar en el fondo del tanque y los estantes de trabajo de su Clean-O-Matic se indican a continuación:

Modelo	Fondo	Estantes
300, 500, 800	500 libras	150 libras
900, 902	750 libras	200 libras

### Fluidos de limpieza recomendados

El Clean-O-Matic está diseñado para usarse con fluidos de limpieza basados en petróleo combustibles (punto de ignición mayor a 104°F) como **Regular Agitene®** o **Super Agitene®** de Graymills. **Super Agitene** tiene un olor suave y fresco y es muy superior en capacidad de limpieza a los solventes de seguridad normales. **Super Agitene** también contiene "HandEase," una formulación con lanolina que ayuda a prevenir la irritación de la piel, más otros siete ingredientes que lo hacen un fluido de limpieza único que limpia más rápida y fácilmente que otros fluidos de limpieza. **Super Agitene** también deja una ligera película que retrasa la oxidación. **Regular Agitene** es un limpiador de secado rápido y sin película que contiene Tergene, un aditivo detergente para mejorar la eficiencia de limpieza. **Agitene Regular** se recomienda especialmente para limpiar piezas eléctricas debido a que no daña el barniz y se seca sin dejar película.

### ATENCIÓN

Nunca use un fluido de limpieza que tenga un punto de ignición debajo de 104°F (40°C). Nunca use fluidos INFLAMABLES. Vea las Advertencias y Precauciones en la página 4

## INSTALACIÓN Y OPERACIÓN

### Preparación del sitio

Antes de instalar la Clean-O-Matic, se deberá elegir con cuidado el sitio de operación. Coloque la unidad en una superficie plana y nivelada.

### PRECAUCIÓN

El área de trabajo deberá estar bien ventilada.

Suministre iluminación adecuada en el área de trabajo para permitir la observación del proceso de limpieza y del área en el piso alrededor de la máquina.

Asegúrese de dejar lugar suficiente para introducir y sacar las piezas de la máquina. Deje suficiente claro alrededor de la máquina para efectuar los cambios de fluido y los trabajos de servicio.

### Procedimiento de instalación

El Clean-O-Matic es muy fácil de poner en servicio. Después de sacarlo de su cartón de empaque, instale las ruedas locas proporcionadas con las unidades equipadas con ellas (Modelos 300 y 500), y ensamble la agarradera en la cubierta. Revise para asegurarse de que el tapón de drenado esté apretado, llene con la cantidad deseada de un fluido de limpieza adecuada (vea CAPACIDADES DE LÍQUIDO) inserte la clavija de tres patas en el receptáculo adecuado (vea Características Eléctricas). Si se utiliza un motor de aire, conecte la manguera de la línea de aire a la válvula en el lado de la unidad, y la unidad estará lista para usarse.

Antes de hacer funcionar su Clean-O-Matic, lea las siguientes descripciones de sus características y beneficios para maximizar la eficiencia y longevidad de su unidad.

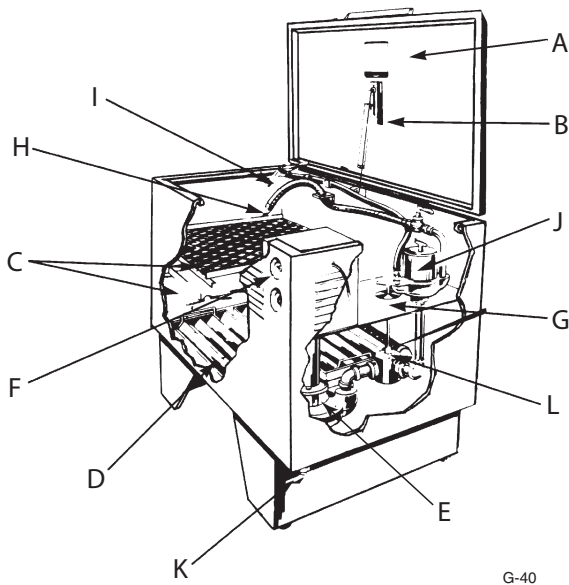
### Cubierta de seguridad automática

Abra la cubierta de seguridad automática (A) en su Clean-O-Matic y notará que se levanta con facilidad con una sola mano. No hay nada que conectar o desconectar para abrir o cerrar la cubierta.

### PRECAUCIÓN

La cubierta de su Clean-O-Matic está equipada con un resorte de gas de dos vías que también incluye una unión fusible (B). Cuando se abre, el mecanismo de la cubierta sostiene la cubierta en un ángulo ligeramente adelantado. Este ángulo es necesario para asegurar que la unión fusible de la cubierta (B) funcionará en el caso improbable de incendio en el tanque. En caso de incendio, la unión fusible se fundirá a 165°F, permitiendo que la tapa se cierre, cortando el suministro de aire al fuego.

Nunca deje el Clean-O-Matic solo si tiene piezas en el tanque que podrían impedir que la cubierta se cierre completamente en caso de incendio. Asegúrese siempre que la cubierta permanece en su posición correcta



ligeramente adelantada cuando esté abierta. NO MANIPULE ni quite la unión fusible de seguridad. Si la unión de seguridad se rompe o se pierde, reemplácela inmediatamente. Mantenga la cubierta cerrada cuando la unidad no se use.

### Estantes de trabajo

Cada Clean-O-Matic viene equipado con un estante perforado (C) y dos estantes telescópicos que sirven como una barrera de freeboard para ayudar a limitar las emisiones de COV. Sus propias necesidades de limpieza determinar qué posición es mejor para su operación.

### Charolas de recolección de lodo (Accesorio Opcional)

Hay dos o más "charolas para lodo" con filtros de espuma laterales (D) se ubican en el fondo del tanque. Esas charolas acumulan la contaminación más pesada que se produce en la limpieza. Para extender la vida del fluido de limpieza, levante suavemente las charolas después de que los materiales más pesados se hayan sedimentado durante toda una noche. Retire los contaminantes que se encuentren en las charolas y disponga de ellos adecuadamente. Reemplace las charolas de lodo y vuelva a comenzar la operación. La limpieza regular de las charolas de lodo aumentará al máximo la vida útil del fluido de limpieza y resultará en una operación de limpieza más eficiente.

### Unidad de bombeo

La unidad de bombeo centrífuga (E) entregada con el Clean-O-Matic es una resistente unidad de calidad para "máquinas herramientas" que es una ayuda valiosa en la limpieza de piezas. Es particularmente útil al arrastrar la grasa y la mugre suavizadas después de que las piezas se hayan remojado. Como precaución adicional, el modelo 300 tiene una malla sobre la admisión de la bomba. Asegúrese de mantener esta malla libre de contaminantes, trapos y otras basuras que impidan la admisión de fluido a la bomba.

### Agitación de la bomba y el tanque

Para operar la bomba y la agitación del tanque después de llenar, mueva el interruptor (F) en el frente del Clean-O-Matic o gire la válvula de aire. La luz piloto amarilla deberá encenderse, indicando que la bomba está funcionando. La válvula selectora (G) está ubicada en el lado posterior derecho del interior del tanque. La válvula selectora del modelo 300 es de dos posiciones: una posición dirige el fluido a la manguera de enjuague de metal flexible (H) y a la manguera de rocío (I), y la otra posición crea la agitación del tanque. En los modelos 500 a 902, la válvula selectora (G) permite el uso de la agitación únicamente en el tanque, las mangueras de enjuague y rocío juntas, o una combinación de las tres. La válvula pequeña en la manguera de metal flexible (H) le permite cortar el flujo a la manguera flexible, dirigiendo todo el fluido a través de la manguera de rocío (I). Siempre dirija el flujo al tanque de modo que evite las salpicaduras. Nunca apunte la boquilla de rocío a una persona.

Cuando use la configuración de Agitación de tanque, alinee las piezas en el tanque de modo que el área de las piezas o las cavidades en ellas estén expuestas tanto como sea posible al fluido que emiten las boquillas de chorro. Para minimizar la evaporación de fluido, mantenga cerrada la cubierta del tanque durante la agitación.

## MANTENIMIENTO

### Limpieza

Su Clean-O-Matic está equipado con un filtro que tiene un elemento colector de malla (J). Esta malla se debe limpiar al menos una vez a la semana, y con mayor frecuencia si se sujeta a uso pesado, para ayudar a extender la vida de del fluido de limpieza e incrementar la eficiencia de limpieza. Se puede colocar periódicamente un cartucho de filtro de aceite en la caja del filtro en lugar del colector de malla. (Use WIX 51076 o equivalente. Para encontrar a un distribuidor WIX en su localidad, llame al servicio a clientes de WIX: 704-864-6711.) Al hacer funcionar la bomba por unas cuantas horas extraerá más contaminantes del fluido y ayudará a extender la vida útil del fluido.

### NOTA

Debido a que un cartucho de filtro de aceite se obstruirá en corto tiempo, úselo por sólo una o dos horas como máximo. Otro modo de extender la vida del fluido de limpieza es extraer el exceso de suciedad, partículas y otros contaminantes, tanto como sea posible antes de limpiar piezas sucias. También puede comprar "Graymills Solvent Savers" para extender la vida del líquido de limpieza. Póngase en contacto con Graymills para más detalles.

### Cambio de fluido

#### **PRECAUCIÓN**

**Desconecte el cable de corriente eléctrica o quite el suministro de aire.**

Quite la manguera de metal flexible (H) de su ménsula en la parte trasera del tanque. Extraiga el fluido del tanque colocando la boquilla sobre el lado y en un contenedor adecuado. Quite el tapón de drenado (K) para drenar el fluido restante. Quite y limpie las charolas opcionales para lodo (D). Limpie la malla del filtro alrededor de la base de la bomba (únicamente el modelo 300). Limpie la malla del filtro de la bomba y reemplace el empaque, si es necesario (la unidad viene equipada con dos empaques de repuesto). Limpie el fondo del tanque para quitar cualquier lodo acumulado y basura que pudiera quedar presente.

Vuelva a colocar el tapón de drenado (K) y las charolas opcionales para lodo (D). Vuelva a armar el filtro. Llene el tanque con fluido limpiador nuevo. Reinicie las operaciones de limpieza, revisando si hay fugas en el tapón de drenado y el filtro.

#### **PRECAUCIÓN**

**Disponga siempre del fluido de limpieza en forma apropiada. Consulte las instrucciones en la etiqueta del paquete del fabricante del producto químico de limpieza.**

### Servicio a la bomba

Para quitar las unidades de bombeo del Clean-O-Matic, ejecute los siguientes procedimientos:

#### **PRECAUCIÓN**

**Desconecte el Clean-O-Matic de la energía eléctrica o la fuente de aire.**

- Afloje los tornillos autorroscantes lo suficiente para quitar la mampara que encierra a la bomba. Hay ranuras con la forma necesaria para que las cabezas de los tornillos pasen cuando se levante la mampara.
- Quite la cubierta del motor, desatornillando los cuatro tornillos autorroscantes.
- Quite tres tornillos en el estante del motor/filtro para ayudar a liberar el ensamblaje.
- Quite los conectores atornillables del cable eléctrico y etiquételos para el reensamblado.
- Hay un tornillo autorroscante que sostiene la tapa del motor desde el exterior, cerca de el cable eléctrico y otros tres tornillos que sujetan la tapa desde el interior. Quite el tornillo exterior primero.
- Si su modelo tiene un distribuidor Hydro-Jet (tubería de 1") (L), se puede quitar usando una llave inglesa.
- Sin la tubería, todo el conjunto de bomba y filtro se puede balancear (sobre el extremo posterior) a la izquierda y levantarse. Invierta el procedimiento cuando vuelva a colocar el conjunto de la bomba.

Para ajustar o reemplazar el impulsor de la bomba, ejecute los siguientes procedimientos:

### Modelo 300

El modelo 300 tiene un solo impulsor de succión que se sostiene en la flecha con un tornillo prisionero de cabeza Allen en la maza. La llave Allen que se

requiere es de 3/32". (Sólo se necesita quitar la malla y la cubierta cuando se reemplaza el impulsor.)

## Modelos 500, 800, 900, 902

Los modelos 500, 800, 900 y 902 tienen impulsores de succión doble sin tornillos prisioneros. Tienen un agujero en forma de D que está al ras con la flecha. Una tuerca de castillete comprime los resortes de la flecha que ajustan el claro del impulsor. Inserte un pasador para evitar que la tuerca gire. Todos los impulsores deberán estar cerca a la superficie superior de la voluta (cámara del impulsor) y se deberá revisar que no tengan frotamiento. Arme el sello y las placas de cubierta firmemente con los anclajes entregados.

Vaya a la página 10 para una lista de los accesorios y en la página 11 para las dimensiones del modelo.

## AVERTISSEMENTS/PRÉCAUTIONS

Bien lire toutes ces INSTRUCTIONS DE SÉCURITÉ et celles du manuel AVANT l'installation ou l'utilisation de cet équipement. Garder ce manuel sous la main pour fins de référence/formation.

### ▲ SÉCURITÉ

Vous trouverez divers types de renseignements sur la sécurité aux pages suivantes et sur les étiquettes fixées sur l'équipement Graymills. Les déclarations de sécurité suivantes expliquent leur signification:

▲ Le symbole d'alerte de sécurité signifie ATTENTION! SOYEZ ALERTE! VOTRE SÉCURITÉ EST EN JEU!

▲ **DANGER** Le symbole de DANGER signifie que si vous ne vous conformez pas à cette déclaration de sécurité, il s'ensuivra des blessures graves ou même la mort.

▲ **AVERTISSEMENT** Le symbole D'AVERTISSEMENT signifie que si vous ne vous conformez pas à cette déclaration de sécurité, il pourrait s'ensuivre des blessures graves ou même la mort.

▲ **PRÉCAUTION** Le symbole de PRÉCAUTION signifie que si vous ne vous conformez pas à cette déclaration de sécurité, il pourrait s'ensuivre des blessures ou des dommages matériels.

**REMARQUE** Le symbole de REMARQUE signifie que si vous ne vous conformez pas à cette déclaration de sécurité, il pourrait s'ensuivre des dommages à l'équipement ou celui-ci risquerait de ne pas fonctionner convenablement.

### ▲ ATTENTION

Ne jamais travailler avec une pièce d'équipement qui vous semble dangereuse. Communiquez immédiatement avec votre chef de service si vous avez l'impression qu'une pièce d'équipement est dans un état dangereux.

### ▲ AVERTISSEMENT

- Ne PAS installer près des flammes nues ou de la chaleur. Ne PAS fumer près des nettoyeurs de pièces.
- Bien se conformer aux instructions de l'étiquette fournies avec tout liquide utilisé dans cet appareil. Utiliser seulement des liquides dont le point d'éclair est de 104°F ou plus. Graymills recommande l'utilisation d'Agitene® super ou régulier ayant un point d'éclair d'environ 105°F. Ne PAS utiliser d'essence, d'alcool, de produits de nettoyage de carburateurs, de décapants pour métaux ou de solvants chlorurés. L'utilisation de tels produits non autorisés risque de causer un danger pour la santé et la sécurité qui pourrait entraîner des blessures graves ou même la mort. Si vous avez des questions concernant les liquides qui peuvent être utilisés dans cet appareil, appelez Graymills au (773) 248-6825 et demandez le service à la clientèle (Customer Service).
- Ne PAS contaminer les produits de nettoyage avec n'importe quel produit inflammable (pas moins de 104°F de point d'éclair), tels que l'essence, l'alcool, etc. Vidanger les pièces à nettoyer de tout produit inflammable avant de les placer à l'intérieur du réservoir de nettoyage. Même de petites quantités peuvent créer un danger d'incendie.

### ▲ PRÉCAUTION

- Si des solutions de nettoyage sont éclaboussées sur les vêtements, retirer promptement les vêtements humectés et laver à fond les parties du corps qui sont entrées en contact avec la solution. Ne PAS laisser les vêtements saturés en contact avec la peau.
- Les solutions de nettoyage risquent d'irriter la peau et les yeux. Si elles sont

éclaboussées dans les yeux, bien rincer à l'eau. Consulter la Fiche signalétique sur les matières dangereuses (FSMD) et un médecin. Toujours porter des accessoires de sécurité tels que gants, tablier, lunettes de sécurité ou lunettes à lentille unique.

- Se conformer à tous les avertissements, instructions et précautions concernant le produit de nettoyage utilisé.

### ▲ AVERTISSEMENT

- Avant de réaliser un entretien quelconque sur cet appareil, s'assurer que l'on a bien débranché le courant électrique.
- L'appareil doit être convenablement mis à la terre pour éviter les dangers d'électrocution. Raccorder seulement l'appareil à une prise à trois trous. Au cas où le fil serait craquelé, effiloché ou endommagé de quelque façon que ce soit, il devrait être réparé immédiatement par un électricien qualifié. Ne jamais utiliser de fil de rallonge.
- Étant donné que la sécurité de l'opérateur reste en tout temps une priorité, nous recommandons fortement que cet équipement soit toujours raccordé à un bloc d'alimentation équipé d'un "interrupteur de défaut à la terre" (GFI), que le code local l'exige ou non. Tous les raccordements électriques devraient se conformer aux codes nationaux/locaux et être réalisés par un personnel qualifié.

### ▲ PRÉCAUTION

- L'appareil est équipé d'un mécanisme de couvercle avec lien de sécurité fusible conçu pour garder le couvercle ouvert à un angle légèrement vers l'avant. Dans l'éventualité d'un incendie, le lien fusible fondra à 165°F et permettra la fermeture immédiate du couvercle, ce qui coupera l'approvisionnement en oxygène pour le feu.
- Ne jamais laisser l'appareil sans surveillance alors que des pièces se trouvent dans le réservoir et que celles-ci risquent d'empêcher la fermeture complète du couvercle en cas d'incendie. Toujours s'assurer que le couvercle reste à la bonne position, légèrement incliné vers l'avant, lorsqu'il est ouvert. Ne PAS altérer et ne jamais retirer le lien de sécurité fusible. Si le lien de sécurité se brise ou s'il est perdu, ne PAS utiliser l'appareil. Remplacer le lien de sécurité immédiatement. Garder le couvercle fermé lorsque l'appareil n'est pas utilisé.
- Après un usage répété, il est possible que le ressort à gaz commence à perdre une partie de sa force de retenue. Si vous commencez à remarquer que le couvercle ne reste pas facilement en position ouverte, remplacer immédiatement le ressort de gaz pour éviter que le couvercle ne se ferme par inadvertance et cause des blessures possibles.
- Ne PAS charger avec des pièces au-dessus du poids maximum recommandé.

### ▲ PRÉCAUTION

Inspecter la pompe ainsi que tous les fils et fiches électriques chaque fois que l'appareil est nettoyé. Ne PAS utiliser en cas de présence d'usure ou de dommage tant que les composants abîmés n'auront pas été réparés ou remplacés.

### ▲ PRÉCAUTION

Remplir le réservoir jusqu'à la capacité de fonctionnement recommandée avant de brancher le fil d'alimentation. (Voir le chapitre intitulé INSTALLATION ET FONCTIONNEMENT.)

## INTRODUCTION

Le nettoyeur de pièces Clean-O-Matic est une machine de nettoyage extra-robuste, multifonctionnelle pour services de production, d'entretien et d'automobiles. Les caractéristiques spéciales du système Clean-O-Matic sont conçues pour permettre de gagner du temps et d'économiser lors du nettoyage d'une vaste gamme de pièces et d'ensembles de pièces.

Il est possible d'obtenir un certain nombre d'accessoires facultatifs pour améliorer la capacité de nettoyage des nettoyeurs de pièces Clean-O-Matic. Voir le page 11 pour plus de détails.

## FICHE TECHNIQUE

### ▲ AVERTISSEMENT

S'assurer que vous avez bien raccordé le Clean-O-Matic à une source électrique compatible avec mise à la terre. Si cette précaution n'est pas prise, il pourrait en résulter des dommages à l'appareil et/ou des conditions dangereuses. Ne jamais utiliser de fils de rallonge.

### Caractéristiques électriques

Selon le modèle, les systèmes Clean-O-Matic sont offerts en 115V ou 230V. Pour déterminer le type de courant électrique dont votre modèle a besoin, consulter la

plaque d'immatriculation qui se trouve sur le côté du réservoir près du moteur. Une désignation "A" après le numéro de modèle indique que l'appareil fonctionne à 115V, 60 Hz, monophasé. Une indication "B" après le numéro de modèle signifie que l'appareil est conçu pour 230V, 60 Hz, monophasé.

Exemple: 500-A signifie un Clean-O-Matic modèle 500 avec moteur 115V, 60 Hz, monophasé.

### Caractéristiques du moteur à air comprimé (GAM)

Il n'y a pas de témoin lumineux ni d'interrupteur. Le raccordement d'air se trouve sur le côté du réservoir ainsi que le robinet.

### Capacités en liquide

La capacité en liquide de votre Clean-O-Matic est indiquée ci-dessous:

Modèle	Maximum	Minimum
300, 500	42 gal	20 gal
800	85 gal	50 gal
900, 902	117 gal	50 gal

### Limitations de poids

Les poids maximums qui peuvent être placés sur le fond du réservoir et sur les étagères de travail de votre Clean-O-Matic sont indiqués ci-dessous:

Modèle	Fond	Étagères
300, 500, 800	500 lb	150 lb
900, 902	750 lb	200 lb

### Liquides de nettoyage recommandés

Le Clean-O-Matic est conçu pour être utilisé avec des liquides de nettoyage à base de pétrole combustibles (poids d'éclair supérieur à 104°F) tels que Graymills **Agitene Régulier**® et **Super Agitene**®. **Super Agitene** a une odeur légère et fraîche et ses possibilités de nettoyage sont de loin supérieures à celles des solvants de sécurité normaux. **Super Agitene** contient aussi du "HandEase", une formule à la lanoline qui permet d'éviter les irritations de la peau, ainsi que sept autres ingrédients qui en font un liquide de nettoyage vraiment spécial grâce auquel il est possible de nettoyer plus rapidement et plus facilement et qui dure plus longtemps que les autres liquides de nettoyage. **Super Agitene** laisse aussi une légère pellicule qui retarde la formation de la rouille. **Agitene Régulier** est un nettoyeur sans pellicule à séchage rapide qui contient du Tergene, un additif détergent pour une meilleure efficacité de nettoyage. **Agitene Régulier** est particulièrement recommandé pour nettoyer les pièces électriques étant donné qu'il n'abîmera pas le vernis et qu'il sèche sans former de pellicule.

### ⚠ AVERTISSEMENT

Ne jamais utiliser un liquide de nettoyage qui a un point d'éclair inférieur à 104°F. Ne PAS utiliser de liquides INFLAMMABLES. Voir les avertissements et précautions au complet à la page 4.

## INSTALLATION ET FONCTIONNEMENT

### Préparation du site

Avant d'installer la Clean-O-Matic, vous devrez envisager soigneusement l'emplacement de fonctionnement. Placer l'appareil sur une surface lisse et au niveau.

### ⚠ PRÉCAUTION

La zone de travail devrait être bien ventilée.

Fournir un éclairage suffisant sur la zone de travail pour permettre l'observation du processus de nettoyage et de la zone de plancher autour de la machine.

Allouer un espace suffisant pour permettre d'amener les pièces à la machine et les retirer de la machine. Fournir suffisamment de dégagement autour de la machine pour permettre le changement des liquides et l'entretien.

### Procédure d'installation

Le Clean-O-Matic est très facile à mettre en fonctionnement. Après l'avoir retiré de son carton d'expédition, il suffit de l'installer sur les roulettes pivotantes fournies avec les appareils ainsi équipés (modèles 300, 500) et de monter la poignée sur le couvercle. S'assurer que le bouchon de vidange est bien serré, puis remplir le réservoir avec la quantité désirée d'un liquide de nettoyage approprié (voir CAPACITÉS DE LIQUIDE ci-dessus) et insérer la fiche à 3 ergots dans la prise appropriée (voir CARACTÉRISTIQUES ÉLECTRIQUES ci-dessus). Si vous utilisez un moteur à air, fixer le boyau de conduit d'air au robinet sur le côté de la machine et celle-ci sera prête à être utilisée.

Avant de faire fonctionner votre Clean-O-Matic, lire les descriptions suivantes de ses caractéristiques et avantages pour tirer le plus d'efficacité et de longévité de votre appareil.

### Couvercle de sécurité automatique

En ouvrant le couvercle de sécurité automatique (A) sur votre Clean-O-Matic, vous remarquerez qu'il se lève simplement et facilement d'une seule main. Il n'y a rien à raccorder ni à débrancher pour ouvrir ou fermer le couvercle.

### ⚠ PRÉCAUTION

- Votre couvercle Clean-O-Matic est équipé d'un ressort à gaz à deux voies qui comprend aussi un lien fusible (B). Lorsqu'il est ouvert, le mécanisme de couvercle soutient le couvercle à un angle légèrement incliné vers l'avant. Cet angle est nécessaire pour assurer le bon fonctionnement du lien fusible du couvercle (B) dans le cas peu probable d'un incendie à l'intérieur du réservoir. En cas d'incendie, le lien-fusible fondra à 165°F permettant ainsi la fermeture du couvercle, ce qui coupera l'alimentation du feu en oxygène.
- Ne jamais laisser le Clean-O-Matic sans surveillance alors qu'il reste des pièces dans le réservoir, ce qui pourrait empêcher la fermeture complète du couvercle en cas d'incendie. Toujours s'assurer que le couvercle reste dans la bonne position, légèrement incliné vers l'avant lorsqu'il est ouvert. Ne PAS forcer et ne PAS retirer le lien de sécurité. Au cas où le lien de sécurité se briserait ou s'il est perdu, on devra le remplacer immédiatement. Garder le couvercle fermé lorsque l'appareil n'est pas utilisé.

### Étagères de travail

Chaque Clean-O-Matic est équipé d'une étagère perforée (C) et deux étagères télescopiques qui servent de barrière de freeboard pour aider à limiter les émissions de COV. Vos besoins de nettoyage propre déterminera la position qui est la mieux à votre opération.

### Plateau de récupération des boues (Accessoire en Option)

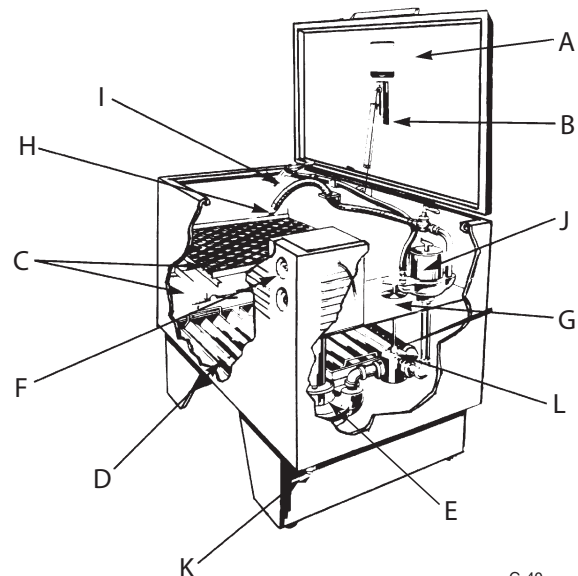
Deux ou plusieurs "plateaux de récupération des boues" avec filtres mousse latéraux (D) sont situés à la partie inférieure du réservoir. Ces plateaux recueillent la contamination la plus lourde produite par le nettoyage. Pour prolonger la durée du liquide de nettoyage, soulever doucement les plateaux après que les dépôts les plus lourds se soient décantés au cours de la nuit. Enlever et jeter convenablement tous les contaminants qui se trouvent dans les plateaux. Remettre ensuite en place les plateaux de boues et commencer l'opération. Le nettoyage régulier des plateaux de boues permettra de prolonger la durée du liquide de nettoyage et aura pour effet de permettre une opération de nettoyage plus efficace.

### Unité de pompage

L'unité de pompage centrifuge (E) fournie avec le Clean-O-Matic est un appareil de qualité "machine-outil" qui apporte une aide importante dans le nettoyage des pièces. Ce dispositif est particulièrement utile pour faire sortir la graisse et la saleté ramollies après que les pièces ont été bien trempées. Comme précaution supplémentaire, le modèle 300 est doté d'un tamis qui est placé sur l'orifice d'aspiration de la pompe. Bien garder ce tamis dégagé de tout contaminant, chiffon ou autre débris qui pourraient empêcher l'aspiration du liquide par la pompe.

### Pompe et agitation du réservoir

Pour faire fonctionner la pompe et le système d'agitation du réservoir après le remplissage, mettre l'interrupteur (F) en marche en avant du Clean-O-Matic ou tourner le robinet pour obtenir de l'air. Le témoin lumineux jaune devrait s'allumer





indiquant que la pompe fonctionne. Le robinet sélecteur (G) est situé sur le côté droit arrière intérieur du réservoir. Le robinet sélecteur du modèle 300 est à deux positions: une position dirige le liquide vers un boyau de rinçage en métal flexible (H) et vers le boyau de jets (I), et l'autre position crée l'agitation du réservoir. Sur les modèles 500 jusqu'à 902, le robinet sélecteur (G) permet d'utiliser l'agitation du réservoir seule, les boyaux de rinçage et de jets ensemble ou la combinaison des trois. Le petit robinet sur le boyau en métal flexible (H) vous permet d'arrêter le débit qui se rend au boyau flexible et de diriger la totalité du liquide dans le boyau de jets (I). Toujours diriger le liquide vers le réservoir de façon à éviter les éclaboussures. Ne jamais diriger la buse de jets vers une personne.

Lorsque vous utilisez le réglage d'agitation de réservoir, aligner les pièces dans le réservoir de façon à ce que la surface maximale des pièces ou de toutes cavités dans les pièces soient exposées le plus possible au liquide émis par les buses de jet. Pour réduire l'évaporation du liquide, garder le réservoir fermé durant l'agitation.

## ENTRETIEN

### Nettoyage

Votre Clean-O-Matic est équipé d'un filtre qui a un élément collecteur à tamis (J) réutilisable. Ce collecteur à tamis devrait être nettoyé au moins une fois par semaine et plus souvent dans des conditions d'utilisation intense, pour prolonger la durée du liquide de nettoyage et pour augmenter l'efficacité de nettoyage. Périodiquement, une cartouche de filtre à huile peut être placée dans la boîte du filtre à la place du collecteur à tamis. (Utiliser WIX 51076 ou un équivalent. Pour l'emplacement de votre dépositaire WIX local, appeler le service à la clientèle WIX: 704-864-6711). Le fait de faire tourner la pompe pendant quelques heures fera sortir une plus grande quantité de contaminants en dehors du liquide et permettra de prolonger la durée utile du liquide.

### REMARQUE

Étant donné qu'une cartouche de filtre à huile se bouchera au bout de très peu de temps, l'utiliser seulement pour une ou deux heures au maximum. Une autre façon de prolonger la durée du liquide de nettoyage consiste à enlever autant de saleté, copeaux et autres contaminants que possible avant de nettoyer les pièces sales. Vous pouvez également acheter "Graymills Solvent Savers" pour étendre le nettoyage de vie du fluide. Contactez Graymills pour plus de détails.

### Pour changer le liquide

#### PRÉCAUTION

#### Débrancher le fil électrique et enlever l'approvisionnement en air.

Retirer le boyau en métal flexible (H) de son support à l'arrière du réservoir. Retirer le liquide du réservoir en plaçant la buse sur le côté et dans le contenant approprié. Retirer le bouchon de vidange (K) pour vidanger le reste du liquide. Enlever et nettoyer les plateaux des boues en option (D). Nettoyer le tamis filtre autour de la base de la pompe (modèle 300 seulement). Nettoyer le tamis filtre de la pompe et remplacer la garniture au besoin (l'appareil est fourni avec deux garnitures de rechange). Essuyer le fond du réservoir pour enlever toute boue et tous les débris qui pourraient s'y être accumulés.

Remettre en place le bouton de vidange (K) et les plateaux des boues en option (D). Remonter le filtre. Remplir le réservoir de liquide de nettoyage frais. Reprendre les opérations de nettoyage, vérifier s'il n'y a pas des fuites au bouchon de vidange et au filtre.

#### ATTENTION

**Jeter toujours convenablement le liquide de nettoyage usé. Se référer à l'étiquette sur l'emballage du fabricant du produit chimique de nettoyage en ce qui concerne les instructions de mise au rebut.**

### Entretien de la pompe

Pour enlever les unités de pompage du Clean-O-Matic, réaliser les procédures suivantes :

#### PRÉCAUTION

#### Débrancher le Clean-O-Matic du courant électrique ou de la source pneumatique.

- Desserrer suffisamment les vis pour tôle pour enlever la chicane recouvrant la pompe. Il y a des rainures de clavette à travers lesquelles les têtes de vis pourront passer lorsque la chicane sera relevée.
- Retirer le couvercle du moteur en dévissant les quatre vis à tôle.
- Enlever les trois vis sur l'étagère moteur/filtre pour libérer l'ensemble.
- Retirer chaque serre-fils du fil de raccordement électrique et étiqueter ce dernier pour le remontage.

- Il y a une seule vis à tôle qui maintient le couvercle du moteur depuis l'extérieur près du fil électrique et trois autres vis qui fixent le couvercle à l'intérieur. Retirer tout d'abord la vis extérieure.
- Si votre modèle a un collecteur Hydro-Jet (tuyau de 1 po) (L), il peut être retiré en utilisant une clé à tuyau pour le desserrer.
- Une fois le tuyau enlevé, l'ensemble pompe/filtre au complet peut être basculé (extrémité arrière) vers la gauche et levé pour le retirer. Inverser la procédure pour remettre en place l'ensemble de pompe.

Pour régler ou remplacer la turbine de pompe, réaliser les procédures suivantes :

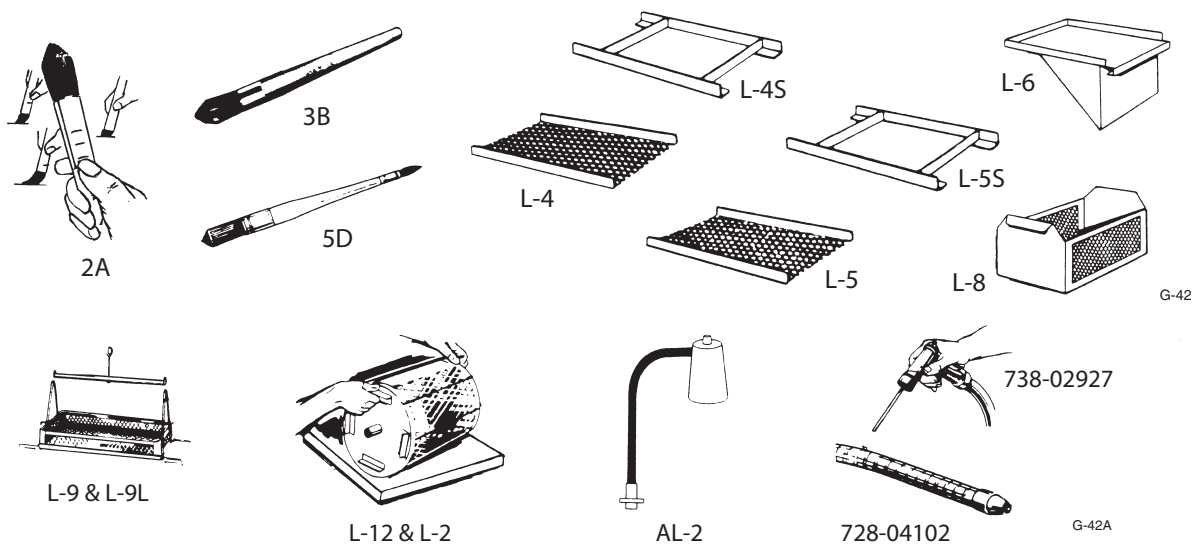
### Modèle 300

Le modèle 300 a une simple turbine d'aspiration qui est maintenue sur l'axe avec une vis de réglage à douille Allen dans le moyeu. La clé Allen nécessaire est de 3/32. (Le tamis et la plaque de couvercle seulement ont besoin d'être retirés lors du remplacement de la turbine.)

### Modèles 500, 800, 900, 902

Les modèles 500, 800, 900 et 902 ont des turbines à double aspiration et aucune vis de réglage. Ils ont un trou en forme de "D" qui est en affleurement avec l'axe. Un écrou crénelé comprime les ressorts d'axe qui règlent le dégagement de la turbine. Insérer une goupille fendue pour empêcher que l'écrou ne tourne. Toutes les turbines devraient se trouver près de la surface supérieure de volute (chambre de turbine) et vérifiées pour toute trace de frottement. Monter la garniture et les plaques de couvercle fermement en utilisant les attaches fournies.

**Tournez à la page 11 pour une liste d'accessoires et des dimensions du modèle.**



## BRUSHES, ACCESSORIES, REPLACEMENT PARTS

Graymills manufactures a wide variety of parts cleaning supplies and accessories for use with your Clean-O-Matic. Contact your Graymills Jobber or Distributor for more information on the items listed below.

### Parts Cleaning Brushes

- 2A Adjusto-Brush — Adjustable sleeve locks nylon bristles into any of three positions - flexible, firm, stiff.
- 3B Standard Nylon Brush — 2-1/2" nylon bristles for maximum durability.
- 5D Double Brush — 2-1/2" nylon bristle brush for broad cleaning at one end of the tapered handle and a 1-1/2" fine brush at the other.

### Parts Cleaning Accessories

- L-4 Extra work shelf — Model 800 only.
- L-4S Extra work shelf — Model 800 only; solid metal.
- L-5 Extra work shelf — Models 300, 500.
- L-5S Extra work shelf — Models 300, 500; solid metal.
- L-6 External Drain Shelf — 16" x 18", hooks into position at left side of the tank to permit solvent to drain back. For all models.
- 432-36376 Sludge Tray - For use with 300 and 500 Series (2 required) or 800 Series (3 required)
- 432-36664 Sludge Tray - For use with 900 Series (2 required)
- L-7 Parts Basket.
- L-8 Parts Basket — 16 gauge metal bottom and sides, solid metal ends. Measures 13" L x 12" W x 5" H. Fits on L-6 drain shelf.
- L-9 Parts Basket — 15 gauge frame with metal sides and bottom. Measures 32" L x 17" W x 5" H. Can be supported above liquid level for parts draining by special pullout supports.
- L-9L Parts Basket — Same as L-9 with the addition of a lifter bar for use with chain hoists.
- L-12 Rotating Batch Basket — Consists of a basket which is rotated by hand in a cradle inside of the soak tank, exposing parts to the cleaning flow of solvent from the flush hose. 16 gauge expanded metal basket, 10" diameter x 12" long. Includes set-up frame and chip collecting basket. Specify your Clean-O-Matic model when ordering for Models 300, 500, 800, 900, 902.
- L-2 Rotator Basket Only.
- AL-2 Parts Cleaner Light — Bolts to back of Models 300 and 500.

### Replacement Parts

- 401-23700 Fusible Link Kit, Models 300, 500, 800.
- 401-23710 Fusible Link Kit, Models 900, 902.

- 728-02657 Neoprene Hose, all models.
- 738-02927 Pistol Grip Nozzle, all models.
- 728-04102 Flexible Metal Flush Hose, all models.

## BROCHAS, ACCESORIOS, REPUESTOS

Graymills fabrica una amplia variedad de suministros y accesorios para limpiezas de piezas para usarse con su Clean-O-Matic. Póngase en contacto con su intermediario o distribuidor Graymills para obtener más información sobre los artículos enumerados a continuación.

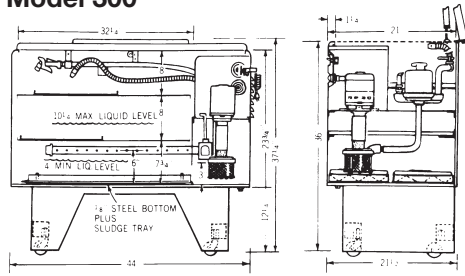
### Brochas para limpieza de piezas

- 2A Adjusto-Brush — Manguito ajustable fija las cerdas de nylon en cualquiera de tres posiciones - flexible, firme, rígida.
- 3B Bocha estándar de nylon — Cerdas de 2-1/2" para obtener la máxima durabilidad.
- 5D Brocha doble — brocha con cerda de nylon de 2-1/2" para limpieza amplia en un extremo del mango cónico y una brocha fina de 1-1/2" en el otro extremo.

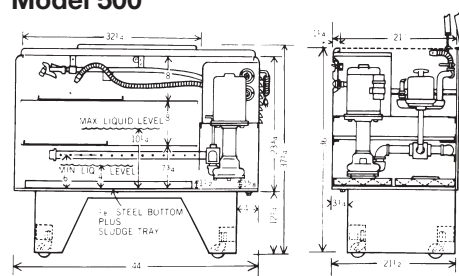
### Accesorios para la limpieza de piezas

- L-4 Estante de trabajo extra — Únicamente modelo 800.
- L-4S Estante de trabajo extra — Únicamente modelo 800; metal sólido.
- L-5 Estante de trabajo extra — Modelos 300 y 500.
- L-5S Estante de trabajo extra — Modelos 300 y 500; metal sólido.
- L-6 Estante de drenaje externo — 16" x 18", se engancha en posición en el lado izquierdo del tanque para permitir que el solvente se drene. Para todos los modelos.
- 432-36376 Charola para lodo - Para el uso con la serie de 300 y 500 (se requieren 2) o la serie 800 (se requieren 3)
- 432-36664 Charola para lodo - Para el uso con serie 900 (se requieren 2)
- L-7 Canasta para piezas.
- L-8 Canasta para piezas — Fondo y lados de metal de calibre 16, extremos de metal sólido. Mide 13" (largo) x 12" (ancho) x 5" (altura). Se ajusta en el estante de drenaje L-6.
- L-9 Canasta para piezas — Bastidor de calibre 15 con lados y fondo de metal. Mide 32" (largo), 17" (ancho), 5" (altura). Puede apoyarse sobre el nivel del líquido para piezas que se drenen mediante apoyos de extracción especiales.
- L9L Canasta para piezas — Igual a la L-9 con la adición de una barra de elevación para usarla con un malacate de cadena.
- L-12 Canasta de lotes rotatoria — Consiste en un canasta que se hace girar a mano en un soporte en el interior del tanque inundado, exponiendo las piezas al flujo limpiador del solvente que sale de la manguera de enjuague. Canasta de tela metálica de calibre 16, de 10" de diámetro x 12" de longitud. Incluye bastidor de preparación y canasta de recolección de fragmentos. Especifique el modelo de su Clean-O-Matic al ordenar, en el caso de los modelos 300, 500, 800, 900 y 902.
- L-2 Canasta rotatoria únicamente.
- AL-2 Lámpara para el limpiador de piezas — Se atornilla a la parte posterior de los Modelos 300 y 500.

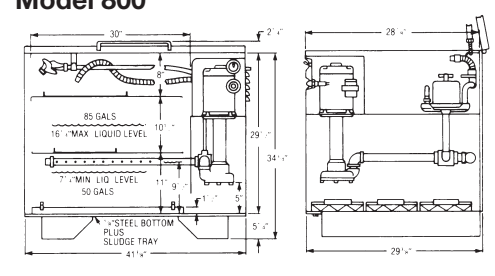
### Model 300



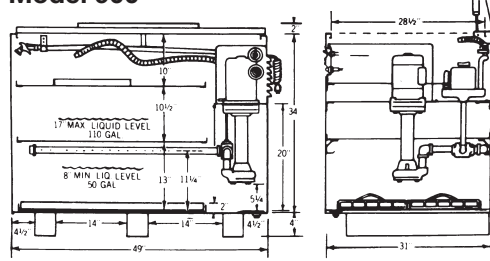
### Model 500



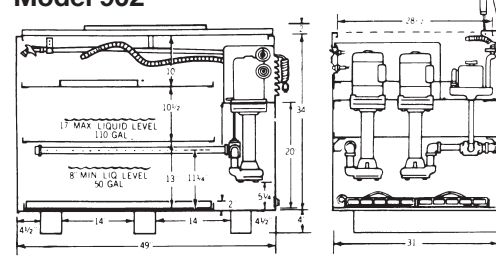
### Model 800



### Model 900



### Model 902



### Piezas de repuesto

- 401-23700 Juego de uniones fusibles, modelos 300, 500, 800.
- 401-23710 Juego de uniones fusibles, modelos 900, 902.
- 728-02657 Manguera de neopreno, todos los modelos.
- 738-02927 Boquilla con agarre de pistola, todos los modelos.
- 728-04102 Manguera de enjuague de metal flexible, todos los modelos.

### BROSSES, ACCESSOIRES, PIÈCES DE RECHANGE

Graymills fabrique une grande variété de fournitures et accessoires pour le nettoyage des pièces qui peuvent être utilisés avec votre Clean-O-Matic. Communiquer avec votre grossiste ou distributeur Graymills pour plus de renseignements sur les articles dont la liste apparaît ci-dessous.

#### Brosses de nettoyage de pièces

- 2A Adjusto-Brush — Le manchon ajustable fixe les soies de nylon dans l'une des trois positions - flexible, ferme, raide.
- 3B Brosse en nylon standard — soies en nylon de 2-1/2 po pour une durabilité maximale.
- 5D Double brosse — brosse à soies de nylon 2-1/2 po pour un nettoyage très large à une extrémité d'une poignée effilée et une brosse fine de 1-1/2 po à l'autre extrémité.

#### Accessoires de nettoyage des pièces

- L-4 Étagère de travail supplémentaire — Modèle 800 seulement.
- L-4S Étagère de travail supplémentaire — Modèle 800 seulement; métal massif.
- L-5 Étagère de travail supplémentaire — Modèles 300, 500.
- L-5S Étagère de travail supplémentaire — Modèles 300, 500; métal massif.
- L-6 Étagère à vidange extérieure — 16 po x 18 po, s'accroche en position au côté gauche du réservoir pour permettre la vidange du solvant. Pour tous les modèles.
- 432-36376 Plateaux de récupération des boues- Pour une utilisation avec la série 300 et 500 (2 requis) ou de la série 800 (3 requis)
- 432-36664 Plateaux de récupération des boues- Pour une utilisation avec la série 900 (2 requis)
- L-7 Panier à pièces
- L-8 Panier à pièces — fond et côtés en métal calibre 16, extrémité en métal massif. Mesure Lo 13 po x La 12 po x H 5 po. S'adapte sur étagère à vidange L-6.
- L-9 Panier à pièces — cadre calibre 15 avec côtés et fond en métal. Mesure Lo 32 po, La 17 po, H 5 po. Peut être supporté au-dessus du niveau de liquide pour que les pièces s'égouttent au moyen de supports spéciaux à tirer.
- L-9L Panier à pièces — Même que L-9 avec l'apport d'une barre de levage pour utiliser avec un monte-charge à chaîne.
- L-12 Panier de lots rotatif — Comprend un panier qui se tourne à la main dans un berceau à l'intérieur du réservoir de trempage, exposant ainsi les pièces aux sujets de nettoyage du solvant provenant du boyau de rinçage. Panier en métal déployé calibre 16, diamètre 10 po x longueur 12 po. Comprend le cadre d'installation et un panier pour recueillir les copeaux. Spécifier votre modèle Clean-O-Matic en commandant les modèles 300, 500, 800, 900, 902.

L-2 Panier à rotation seulement.

AL-2 Lampe de nettoyeur de pièces — Se boulonne à l'arrière des modèles 300 et 500.

### Pièces de rechange

- 401-23700 Trousse de lien-fusible, modèles 300, 500, 800
- 401-23710 Trousse de lien-fusible, modèles 900, 902
- 728-02657 Boyau en néoprène, tous les modèles
- 738-02927 Buse à poignée pistolet, tous les modèles
- 728-04102 Boyau de rinçage en métal flexible, tous les modèles

### MODEL DIMENSIONS

#### Model 300

- 10-1/4" Max. Liquid Level
- 42 Gal.
- 4" Min. Liquid Level

#### Model 500

- 10-1/4" Max. Liquid Level
- 42 Gal.
- 4" Min. Liquid Level

#### Model 800

- 16-1/4" Max. Liquid Level
- 85 Gal.
- 7-1/4" Min. Liquid Level
- 50 Gal.

#### Model 900

- 17" Max. Liquid Level
- 110 Gal.
- 8" Min. Liquid Level
- 50 Gal.

#### Model 902

- 17" Max. Liquid Level
- 110 Gal.
- 8" Min. Liquid Level
- 50 Gal.

### DIMENSIONES DE LOS MODELOS

#### Modelo 300

- Nivel máximo de líquido: 10-1/4"
- 42 Galones
- Nivel mínimo de líquido: 4"

#### Modelo 500

- Nivel máximo de líquido: 10-1/4"
- 42 Galones
- Nivel mínimo de líquido: 4"

#### Modelo 800

- Nivel máximo de líquido: 16-1/4"
- (413 mm)
- 85 Galones (321 litros)

Nivel mínimo de líquido: 7-1/4" (184 mm)

50 Galones (189 litros)

#### Modelo 900

Nivel máximo de líquido: 17"

110 Galones

Nivel mínimo de líquido: 8"

50 Galones

#### Modelo 902

Nivel máximo de líquido: 17"

110 Galones

Nivel mínimo de líquido: 8"

50 Galones

### DIMENSIONES DES MODÈLES

#### Modèle 300

Niveau de liquide max. 10-1/4 po

42 gallons

Niveau de liquide min. 4 po

#### Modèle 500

Niveau de liquide max. 10-1/4 po

42 gallons

Niveau de liquide min. 4 po

#### Modèle 800

Niveau de liquide max. 16-1/4 po

85 gallons

Niveau de liquide min. 7-1/4 po

50 gallons

#### Modèle 900

Niveau de liquide max. 17 po

110 gallons

Niveau de liquide min. 8 po

50 gallons

#### Modèle 902

Niveau de liquide max. 17 po

110 gallons

Niveau de liquide min. 8 po

50 gallons

## WARRANTY

**Graymills Corporation** warrants that the equipment manufactured and delivered hereunder when properly installed and maintained shall be free from defects in workmanship.

This warranty does not apply to damages or defects caused by operator carelessness, misuse, abuse, improper application, or abnormal use; the use of add-on parts or equipment which damages or impairs the proper function of the unit and modifications made by Buyer.

**Graymills'** obligation under this warranty shall be limited to:

1. Replacing or repairing pumps, motors, tanks and structural parts within one year from the date of installation or 13 months from the date of shipment, whichever occurs first. The decision to replace rather than repair shall be made by **Graymills Corporation**;
2. Replacing or repairing components supplied by but not manufactured by **Graymills**, to the extent such components are warranted by the original manufacturer's warranty and provided that Buyer gives **Graymills** prompt written notice within ninety days of any defect or failure and satisfactory proof thereof.

Before **Graymills** can repair or replace a defective part under warranty, call **Graymills** for a Return Merchandise Authorization number (RMA number must appear on outside of package or it will be refused and returned). Upon prepaid return to **Graymills'** factory, **Graymills'** examination must disclose such part to be defective.

This warranty does not apply to expendable parts needing replacement periodically due to normal wear. A new warranty period shall not be established for repaired or replaced materials, or products. Such items shall remain under warranty for only the remainder of the warranty period of the original materials or products. **Graymills** warrants that the equipment will function mechanically as quoted in the published specification. **Graymills** does not warrant process performance nor does **Graymills** assume any liability for equipment selection, adaptation, or installation.

The foregoing warranties are in lieu of all other warranties whether oral, written, expressed, implied, or statutory. Implied warranties of fitness for a particular purpose and merchantability shall not apply. **Graymills'** warranty obligations and Buyer's remedies thereunder (except to title) are solely and exclusively stated herein. In no case will **Graymills** be liable for consequential damages, loss of production or any other loss incurred due to interruption of service.

## GARANTÍA

**Corporación Graymills** garantiza que el equipo fabricado y entregado conforme a esta garantía se encuentra libre de cualquier defecto de mano de obra, siempre y cuando la instalación y el mantenimiento del mismo hayan sido apropiados.

Esta garantía no se aplica a daños o defectos causados por negligencia, mal uso, abuso, aplicación inadecuada o uso anormal por parte del operador; ni al uso de piezas añadidas o equipo que haya dañado o que no impida el funcionamiento adecuado de la unidad; ni a las modificaciones hechas por el Comprador.

La obligación de **Graymills** conforme a esta garantía se limita a:

1. La reparación o reemplazo de bombas, motores, tanques y piezas estructurales durante el primer año contando a partir de la fecha de instalación ó 13 meses a partir de la fecha de embarque, lo que ocurra primero. La decisión de reemplazar o reparar corresponderá a **Corporación Graymills**.
2. La reparación o reemplazo de componentes que **Graymills** distribuye pero no fabrica, en la medida en que tales componentes estén garantizados por su fabricante, siempre y cuando el Comprador notifique por escrito a **Graymills**, en un plazo no mayor de noventa (90) días, de cualquier defecto o falla, y proporcione pruebas satisfactorias de la existencia de algún defecto.

Para que **Graymills** pueda proceder a reparar o reemplazar cualquier pieza defectuosa en garantía, sírvanse llamar a **Graymills** para obtener su número de autorización para

devolver mercancías (RMA). Este número RMA debe colocarse en el exterior del paquete o de lo contrario será rechazado y devuelto. Una vez hecha la devolución (pagada por anticipado) a la planta de **Graymills**, el examen realizado por la compañía debe confirmar que exista algún defecto en el producto.

Esta garantía no cubre piezas que se reemplazan con frecuencia por desgaste natural. No se establecerá un nuevo periodo de garantía en materiales o productos reparados o reemplazados. Estos artículos quedarán bajo la vigencia restante de la garantía aplicable al material o producto original. **Graymills** garantiza que el equipo funcionará mecánicamente conforme a las especificaciones publicadas. **Graymills** no garantiza la marcha del proceso ni asume responsabilidad alguna en la selección del equipo, adaptación o instalación del mismo.

Las garantías antes expuestas quedan por encima de cualquier otra garantía previa verbal, escrita, expresa, implícita o estatutaria. No tendrán validez alguna las garantías implícitas sobre la aplicación o comerciabilidad para propósitos específicos. Los términos de la garantía de **Graymills**, así como las compensaciones al Comprador en lo que aquí respecta (excepto el derecho de propiedad) son únicamente los que aquí se especifican. **Graymills** no será responsable, en ningún caso, por daños posteriores, pérdidas de producción o cualquier otra pérdida provocada por la interrupción del servicio.

## GUARANTIE

**Graymills Corporation** garantit que tout l'équipement fabriqué et livré ci-dessous, lorsqu'il est convenablement installé et entretenu, ne comportera pas de défauts de fabrication.

Cette garantie ne s'applique pas aux dommages ou aux défauts causés par le manque de soins, le mauvais usage, l'usage abusif de l'opérateur ou par une mauvaise application ou un usage anormal; l'utilisation de pièces ou d'équipements de rajout et des modifications faites par l'acheteur pourraient endommager l'appareil ou entraver son bon fonctionnement.

L'obligation de **Graymills** dans le cadre de cette garantie sera restreinte:

1. au remplacement ou réparation des pompes, moteurs électriques, réservoirs et pièces de structure, dans une limite d'un an à compter de la date d'installation ou 13 mois à compter de la date de l'expédition, selon ce qui se produira en premier. La décision de remplacer plutôt que de réparer sera prise par **Graymills Corporation**;
2. au remplacement ou à la réparation des composants fournis mais non fabriqués par **Graymills**, dans la mesure où tels composants sont couverts par la garantie du fabricant original et à condition que l'acheteur remette à **Graymills** un avis écrit rapide dans les quatre-vingt-dix jours de toute défektivité ou panne et une preuve satisfaisante de ce mauvais fonctionnement ou défektivité.

Avant d'envoyer une pièce défektivité à **Graymills** pour réparation ou remplacement dans le cadre de la garantie, vous devez appeler **Graymills** afin d'obtenir un numéro d'autorisation de retour de marchandise. Le numéro ARM doit apparaître à l'extérieur de l'emballage sous peine

de refus et de retour à l'expéditeur. Après que le composant aura été retourné, frais de port payés à l'usine de **Graymills**, **Graymills** doit après examen décider si la pièce en question est défektivité.

Cette garantie ne s'appliquera pas à toute pièce consommable nécessitant un remplacement périodique en raison d'une usure normale. Une nouvelle période de garantie ne sera pas établie pour les matériaux ou produits réparés ou remplacés. Tels articles resteront sous garantie pour le reste de la période de garantie des matériaux ou produits originaux seulement. **Graymills** garantit que l'équipement fonctionnera mécaniquement de la façon citée dans les caractéristiques publiées. **Graymills** ne garantit pas la performance du processus et n'assume pas non plus de responsabilité en ce qui concerne le choix, l'adaptation ou l'installation de l'équipement.

Les garanties qui précèdent tiennent lieu de toute autre garantie verbale, écrite, explicite, implicite ou statutaire. Les garanties implicites d'adaptation pour un usage particulier et de qualité marchande ne s'appliquent pas. Les obligations de **Graymills** dans le cadre de la garantie et les recours de l'acheteur dans le cadre des présentes (à l'exception du titre de propriété) sont uniquement et exclusivement indiquées aux présentes. En aucun cas **Graymills** ne pourra être tenue responsable des dommages secondaires, des pertes de production ou de toute autre perte encourue en raison d'une interruption du service.

# Graymills

Graymills Corporation 3705 N. Lincoln Avenue Chicago, IL 60613-3594 (773) 248-6825 FAX (773) 248-8673 www.graymills.com