



Manual Call Point, IP55

Salwico NS-ACP-IP55

Part no. N11305

System: Salwico CS3000*, CS4000, NSAC-1 fire alarm system

Description

The NS-ACP-IP55 is a manual call point for the addressable fire alarm system Salwico CS4000, NSAC-1 and CS3000 with SPK2000. The ingress protection IP55 makes this call point suitable for harsh environments.

Pressing the glass causing it to crack activates the fire alarm. A protective plastic coating on the glass prevents operator injury.

A red LED is lit on the call point when the control panel has received the alarm. It will be lit until the glass has been replaced and the alarm has been reset at the control panel.

The address is set with a DIP-switch mounted inside the call point.

The call point is polarity independent.

Data

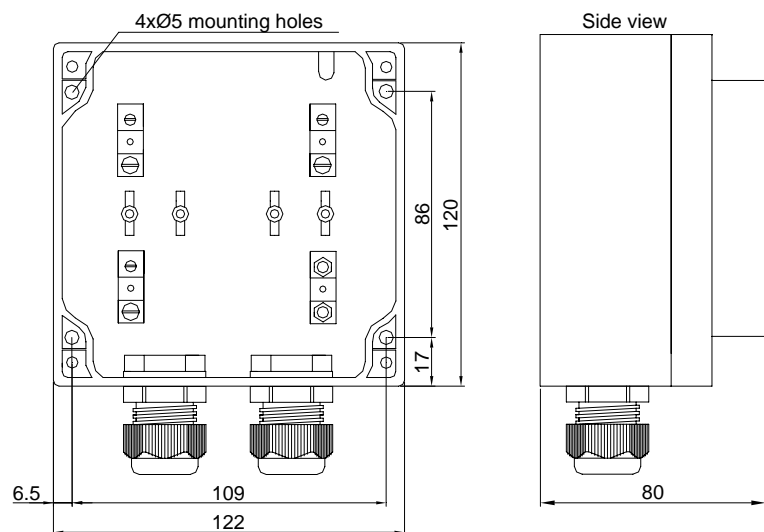
Nominal voltage	24 VDC
Working voltage	15-35 VDC
Working current	
- supervising	0.2 mA
- alarm	2.5 mA
Ingress protection	IP55
Cable dimension	Ø 8-12 mm
Temperature range	-25°C to +70°C
Ambient humidity	0 to 95% RH
Colour	Red
Weight	~410 g
Spare glasses (10 pcs.)	Part no. N1311

*Only with SPK-2 for NOSE based units.

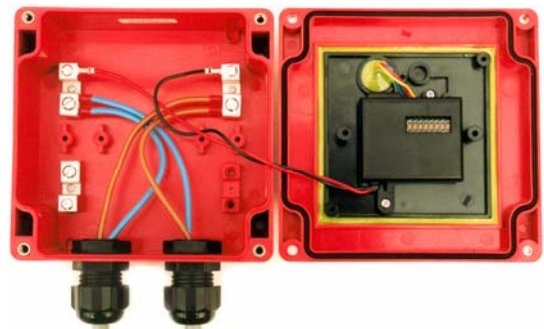
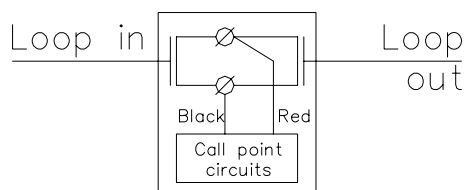
Test & Dimensions (mm)



The call point can easily be tested by inserting the test key that comes with each call point.



Connection



Specifications may be subject to change for improvement without prior notice

Data sheet no: N11305.NS-ACP-IP55.07.1.E