



### FOR EXCELLENT CURRENT LIMITING PROTECTION

A4J Class J fuses deliver excellent current-limiting protection to a wide variety of applications. Their unique dimensions prevent the substitution of other fuses with lower voltage ratings, interrupting ratings, or current-limiting capability.

B

#### Features/Benefits

- **High current limitation** for low peak let-thru current
- **Unique dimensions** prevent replacement by other fuse classes
- **Fiberglass body** provides dimensional stability in harsh industrial environments
- **Easy-to-read imprint label** for quick recognition and replacement

#### HIGHLIGHTS:

- Fast Acting
- Very Current-Limiting
- DC Ratings

#### APPLICATIONS:

- Capacitors
- Loadcenters
- Panelboards
- Switchboards
- Bus Duct
- Feeder Circuits
- Circuit Breakers
- Lighting, Heating, and General Loads

#### Ratings

- **AC:** 1 to 600A  
600VAC, 200kA I.R.
- **DC:** 1 to 600A  
300VDC, 20kA I.R.

#### Approvals

- UL Listed to Standard 248-8.
- CSA Certified to Standard C22.2 No. 248.8
- DC Tested to UL 198L limits
- IEC 269-2-1

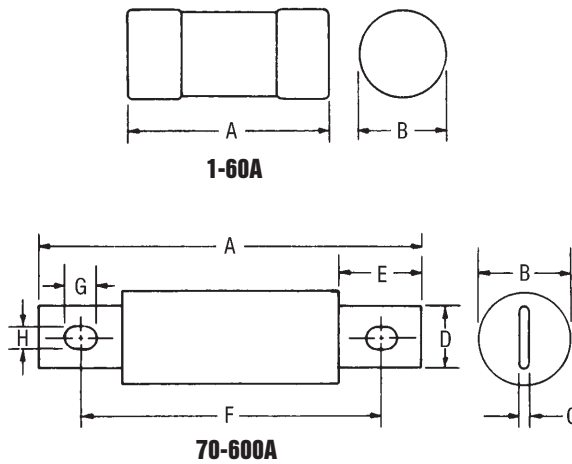


# FAST ACTING / CLASS J FUSES

# A4J

## Standard Fuse Ampere Ratings, Catalog Numbers

AMPERE RATING	CATALOG NUMBER	AMPERE RATING	CATALOG NUMBER	AMPERE RATING	CATALOG NUMBER
1	A4J1	45	A4J45	175	A4J175
3	A4J3	50	A4J50	200	A4J200
6	A4J6	60	A4J60	225	A4J225
10	A4J10	70	A4J70	250	A4J250
15	A4J15	80	A4J80	300	A4J300
20	A4J20	90	A4J90	350	A4J350
25	A4J25	100	A4J100	400	A4J400
30	A4J30	110	A4J110	450	A4J450
35	A4J35	125	A4J125	500	A4J500
40	A4J40	150	A4J150	600	A4J600



## Recommended Fuse Blocks With Box Connectors for Amp-trap Class J Fuses

Fuse Ampere Rating	Catalog Number	
	600V OR LESS	
	1 Pole	3 pole
<b>0-30</b>	US3J1I	US3J3I
<b>31-60</b>	US6J1I	US6J3I
<b>61-100</b>	61036J	61038J
<b>101-200</b>	62001J	62003J
<b>201-400</b>	64031J	64033J
<b>401-600</b>	6631J	6633J

A variety of pole configurations and termination provisions is available. Refer to the fuse block section of this catalog for details.

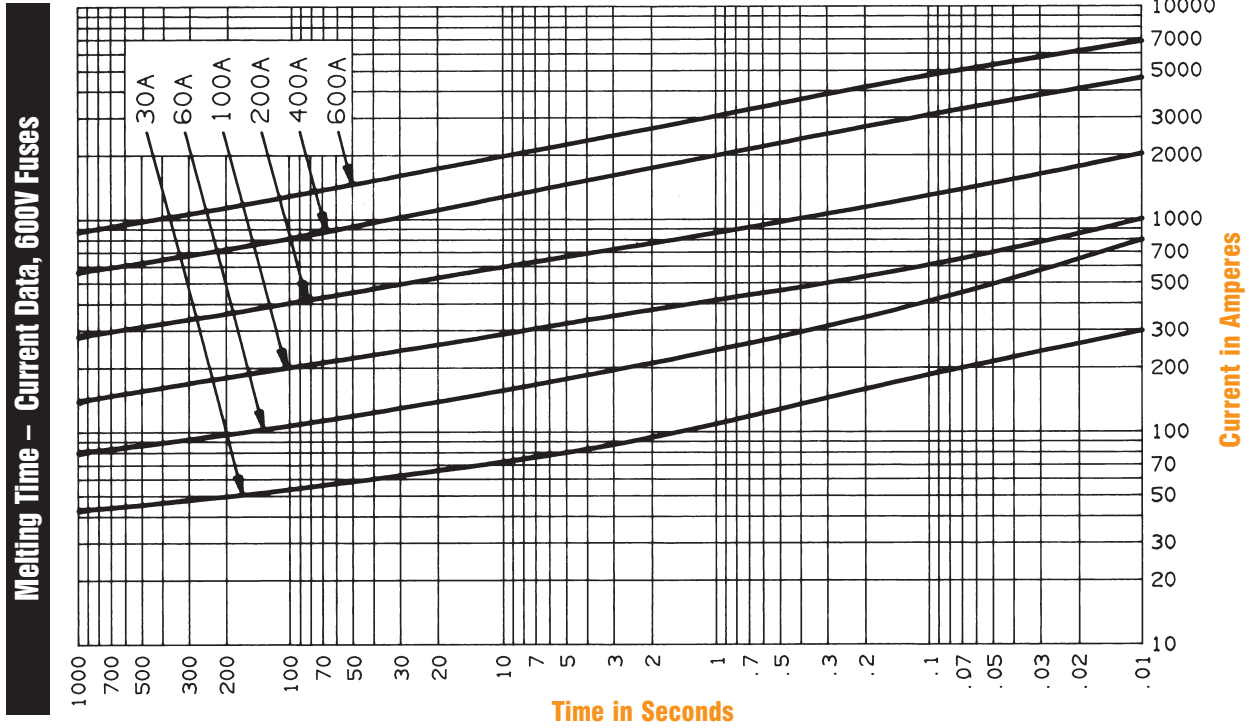
## Dimensions

AMPERE RATING	A		B		C		D		E		F		G		H	
	In.	mm	In.	mm	In.	mm	In.	mm	In.	mm	In.	mm	In.	mm	In.	mm
<b>1-30</b>	2-1/4	57	13/16	21	-	-	-	-	-	-	-	-	-	-	-	-
<b>31-60</b>	2-3/8	60	1-1/16	27	-	-	-	-	-	-	-	-	-	-	-	-
<b>61-100</b>	4-5/8	117	1-1/8	29	1/8	3.2	3/4	19	1	25	3-5/8	92	3/8	10	9/32	7
<b>101-200</b>	5-3/4	146	1-5/8	41	3/16	4.8	1-1/8	29	1-3/8	35	4-3/8	111	3/8	10	9/32	7
<b>201-400</b>	7-1/8	181	2-1/8	54	1/4	6.3	1-5/8	41	1-7/8	48	5-1/4	133	17/32	13	13/32	10
<b>401-600</b>	8	203	2-1/2	64	3/8	9.5	2	51	2-1/8	54	6	152	11/16	18	17/32	13

# FAST ACTING / CLASS J FUSES

A4J

A4J30 to 600



B

**Peak Let-Through Current Data – 30 to 600, 600 Volts AC**

