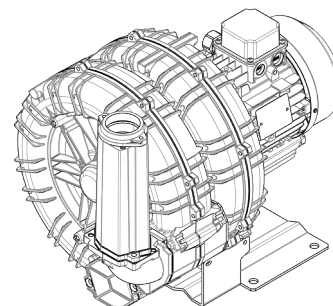


Technical Characteristics	
<ul style="list-style-type: none"> Aluminum alloy construction Smooth operation Maintenance free 	
Electric Motor	
<ul style="list-style-type: none"> Motors with IP 55 protection rating. class F insulation, suitable for operating with inverter (refer to FPZ) Thermal Protector (PTO) as standard 	
Options	
<ul style="list-style-type: none"> Special voltages (IEC 60038) Surface treatments Increased seal version 	

~3	[V] (Y / Δ)		[Hz]
	≤ 4 kW	> 4 kW	
IE2	400 / 230	690 / 400	50
	460 / 265	795 / 460	60
Wide Range	345 - 415 / 200 - 240	600 - 720 / 345 - 415	50
	380 - 480 / 220 - 280	660 - 830 / 380 - 480	60

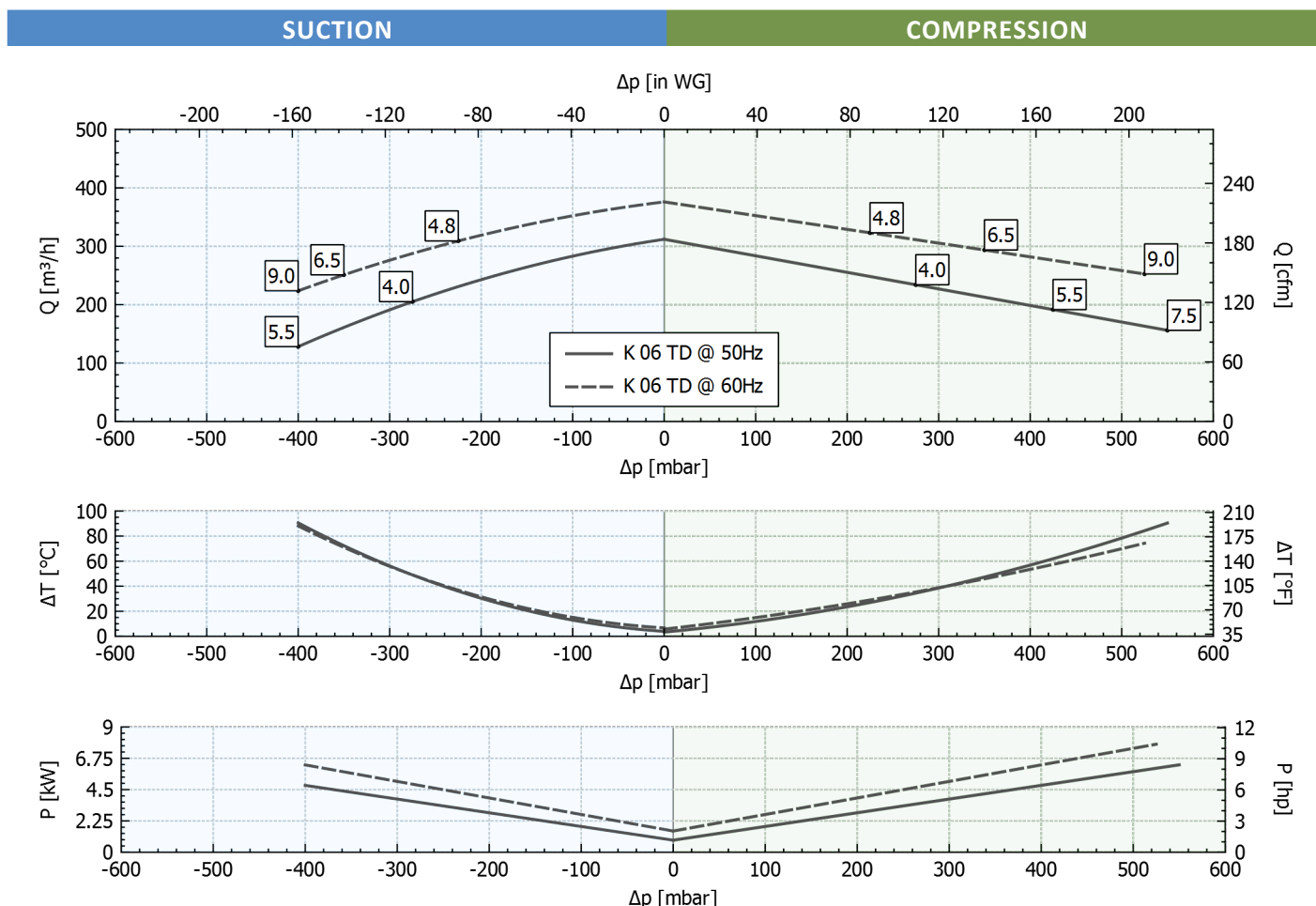
Supply voltage - IE2 only at 50 Hz - Tolerance on the fixed voltage value ± 10%, in range ± 5%.



Performance Table

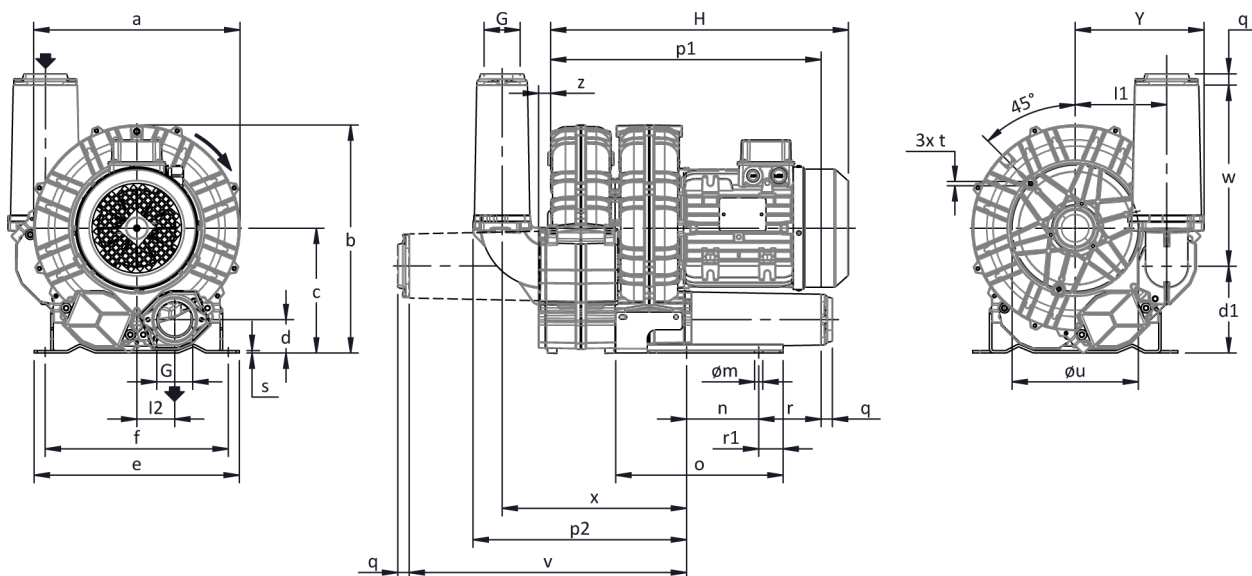
P _n [kW]	Frequency [Hz]	Δp _{max} [mbar]		Q _{max} [m ³ /h]	Leq ¹ [dB(A)]	Weight [kg]	H ³ [mm]	Current Consumption (Y/Δ) [A]		Cosφ [-]	Speed [rpm]
		Suction	Compression					[A]			
								IE2 ²	Range		
4	50	275	275	312	72.6	52.5	500	8.12 / 14.05	8.80-8.26 / 15.2-14.3	0.82	2910
4.8	60	225	225	376	74.6	52.5	500	8.10 / 14.03	9.37-8.10 / 16.2-14.0	0.84	3480
5.5	50	400	425	312	72.6	68.5	585	6.40 / 11.1	6.81-6.75 / 11.8-11.7	0.8	2940
6.5	60	350	350	376	74.6	68.5	585	6.38 / 11.1	7.21-6.47 / 12.5-11.2	0.84	3535
7.5	50	-	550	312	72.6	73.5	585	9.06 / 15.7	9.18-9.47 / 15.9-16.4	0.78	2940
9	60	400	525	376	74.6	73.5	585	8.86 / 15.34	9.87-9.00 / 17.1-15.6	0.83	3530

- Noise level measured at a distance of 1 m with ducted intake and delivery, in accordance with Standard ISO 3744.
- IE2 only at 50 Hz.
- See figure "dimensions" at following page.



Tolerance on indicated values ± 10%.
 Data subject to change without notice.
 Curves referring to air at a temperature of 20 °C and atmospheric pressure of 1013 mbar (abs).

Dimensions



For all assembly options refer to FPZ.

NOT Binding

Dimensions in mm

a	b	c	d	d1	e	f	G	l	l1	l2	m	n	o	p1	p2	q	r	r1	s	t	u	v	w	x	y	z
376	420	232	59	170	325	290	G 2"	-	151	73	15	140	265	508	354	18	136	19	4	M8	240	455	285	308	210	19

INSTALLATION

- For proper operation of the machine, it must be provided with a suction FILTER and a vacuum/pressure limiting VALVE.
- Other accessories are available on request.
- Permissible ambient and fluid temperature in suction from -15 °C to +40 °C.
- Read the instruction manual carefully before installing the machine.